



## Vivid Concealed Fix Solutions



### FEATURES

NON-COMBUSTIBLE / STRUCTURAL / INSULATED  
DURABLE / COMPLIANT / WEATHER TIGHT

### UTILISATION

FACADE / RE-CLAD WORKS / SOFFITS  
EXTERNAL WALLS / CLADDING

### APPLICATION

ARCHITECTURAL / COMMERCIAL / INDUSTRIAL  
EDUCATION / HEALTH / COMMUNITY

Telephone: 13000 ASKIN  
Email: [contact@askin.net.au](mailto:contact@askin.net.au)  
[www.askin.net.au](http://www.askin.net.au)

**GENERAL NOTES**

1. ASKIN PERFORMANCE PANELS DRAWINGS SHALL BE USED IN CONJUNCTION WITH PROJECT SPECIFICATIONS AND ALL OTHER RELEVANT TRADE DRAWINGS.
2. BY APPROVING THE ASKIN SHOP DRAWINGS, THE CLIENT / CONTRACTOR / ARCHITECT / DESIGNER WARRANTS THAT THEY HAVE REVIEWED THE SHOP DRAWINGS, COORDINATED THE SHOP DRAWINGS WITH ALL RELATED TRADES, VERIFIED ALL DIMENSIONS WITH ACTUAL FIELD CONDITIONS, RESOLVED ANY CLASHES AND REPORT ANY DISCREPANCIES BETWEEN EACH SET OF DRAWINGS AND WITHIN EACH SET OF DRAWINGS, CONFIRMED QUANTITIES AND PERFORMANCE REQUIREMENTS AND FOR FABRICATION PROCESSES, PRIOR TO THE MANUFACTURE AND INSTALLATION OF WORKS.
3. WHEN SHOP DRAWINGS ARE REQUIRED, NO PART OF THE STRUCTURE OR COMPONENT SHALL BE CONSTRUCTED WHERE RELATED TO THE SHOP DRAWINGS UNTIL AFTER THE SHOP DRAWINGS HAVE BEEN REVIEWED AND APPROVED. IT IS THE BUILDERS RESPONSIBILITY TO PLAN AHEAD AND ALLOW TIME FOR SHOP DRAWING CREATION, REVIEW, REVISE AND APPROVAL. THE GENERAL CONTRACTOR AND ALL SUBCONTRACTORS SHALL BE RESPONSIBLE FOR ANY WORK NOT IN CONFORMANCE WITH THE PLANS OR IN CONFLICT WITH ANY CODE.
4. ALL CONSTRUCTION SHALL COMPLY WITH THE MOST STRINGENT REQUIREMENTS OF ALL CURRENT APPLICABLE CITY, COUNTRY, STATE AND FEDERAL LAWS, RULES, CODES, ORDINANCES AND REGULATIONS. IF THE GENERAL CONTRACTOR OR ANY SUBCONTRACTOR PERFORMS ANY WORK IN CONFLICT WITH THE ABOVE MENTIONED LAWS, RULES, CODES, ORDINANCES AND REGULATIONS, THEN THE CONTRACTOR IN VIOLATION SHALL BEAR ALL COSTS OF REPAIR ARISING OUT OF THE NON-CONFORMING WORK.
5. SUBSTITUTION OF SPECIFIC MATERIALS OR PRODUCTS LISTED ON THE DRAWINGS SHALL NOT BE MADE WITHOUT THE WRITTEN AUTHORISATION BY ASKIN PERFORMANCE PANELS ENGINEER.
6. BEFORE COMMENCING ANY WORK CONSIDERED A VARIATION, ASKIN AND OR ITS SITE AGENT REQUIRES THE VARIATION TO BE APPROVED IN WRITING PRIOR TO COMMENCEMENT OF SUCH WORK. VARIATIONS INCLUDE BUT ARE NOT LIMITED TO ADDITION, DELETION OR CHANGES IN THE SCOPE OF WORKS DESCRIBED BY THE QUOTATION / DRAWINGS.
7. DIMENSIONS TAKE PRECEDENCE OVER SCALED MEASUREMENTS. UNIT OF MEASUREMENT ARE IN MILLIMETERS. DO NOT SCALE OFF DRAWINGS. DETAILS AND SECTIONS ON THE DRAWINGS ARE SHOWN AT SPECIFIC LOCATIONS AND ARE INTENDED TO SHOW GENERAL REQUIREMENTS THROUGHOUT.
8. DETAILS LABELED 'TYPICAL' OR 'STANDARD' ON THE DRAWINGS SHALL APPLY TO ALL SITUATIONS OCCURRING ON THE PROJECT THAT ARE THE SAME OR SIMILAR TO THOSE SPECIFICALLY DETAILED. THE APPLICABILITY OF THE DETAIL TO ITS LOCATION ON THE DRAWINGS CAN BE DETERMINED BY THE TITLE OF THE DETAIL. SUCH DETAILS SHALL APPLY WHETHER OR NOT THEY ARE REFERENCED AT EACH LOCATION.
9. ALL ASKIN PANEL DIMENSIONS, LOCATIONS, HEIGHTS & SET DOWNS TO BE MEASURED AND CONFIRMED ON SITE PRIOR TO PANEL ORDER. 20mm MIN. CAVITY RECOMMENDED BETWEEN PANEL WALLS AND ALL OTHER WALLS. VERMIN PROOFING MAY BE REQUIRED.
10. AMOUNT OF CEILING SUSPENSIONS AND LOCATIONS TO BE DETERMINED ON SITE SUBJECT TO STRUCTURAL STEEL, MECHANICAL, ELECTRICAL, HYDRAULIC LAYOUTS PRIOR TO PANEL ORDER. ANY CLASHES ARE TO BE RESOLVED AND DRAWINGS TO BE SIGNED OFF PRIOR TO COMMENCEMENT OF WORKS.
11. DOORS, WINDOWS & CUT OPENINGS SIZES TO BE CONFIRMED WITH APPROVED SCHEDULES. SIZES TO BE CONFIRMED & ORDERED OFF SCHEDULE, NOT PLAN DRAWINGS.



www.askin.net.au  
 VIC P : 03 8769 4816 WA P : 08 9249 4022  
 SA P : 08 8252 7188 QLD P : 07 3718 9500  
 NSW P : 02 8825 2598 NT P : 08 8252 7188

PROJECT:

**VIVID SERIES**  
**GENERAL NOTES**

©ASKIN 2020

Revision

-	-	-
-	-	-
-	-	-
-	-	-
-	-	-
-	-	-
-	-	-
-	-	-
-	-	-

Checked By <b>A SHANNON</b>	Scale NTS
Drawn By <b>R VORWERK</b>	Sheet size A4
Issue date 13.02.2020	Revision -
Drawing No.	

**AVS - NOTE**



**VIVID SERIES - STANDARD DETAILS**

001	TYPICAL PANEL TO PANEL CONNECTION DETAIL	REV: -
002	TYPICAL PANEL TO PANEL CONNECTION DETAIL	REV: -
005	VIVID PANEL PROFILES	REV: -
006	VIVID PANEL PROFILES	REV: -
010	SEAMLESS PROFILE 3D RENDER	REV: -
011	SILKLINE PROFILE 3D RENDER	REV: -
012	AMBIENCE PROFILE 3D RENDER	REV: -
013	INFINITE PROFILE 3D RENDER	REV: -
014	TRANSFORM PROFILE 3D RENDER	REV: -

**STANDARD VERTICAL DETAILS**

100	TYPICAL WALL TO FLOOR CONNECTION DETAIL	REV: -
101	TYPICAL WALL TO FLOOR CONNECTION DETAIL	REV: -
102	TYPICAL WALL TO FLOOR CONNECTION DETAIL	REV: -
103	TYPICAL WALL TO FLOOR CONNECTION DETAIL	REV: -
104	TYPICAL WALL TO FLOOR CONNECTION DETAIL	REV: -
105	TYPICAL WALL TO FLOOR CONNECTION DETAIL	REV: -
106	TYPICAL WALL STACK JOINT CONNECTION DETAIL	REV: -
107	TYPICAL WALL STACK JOINT CONNECTION DETAIL	REV: -
108	TYPICAL WALL STACK JOINT CONNECTION DETAIL	REV: -
110	TYPICAL WALL TO WALL CONNECTION DETAIL	REV: -
111	TYPICAL WALL TO WALL CONNECTION DETAIL	REV: -
112	TYPICAL WALL TO WALL CONNECTION DETAIL	REV: -
113	TYPICAL WALL TO WALL CONNECTION DETAIL	REV: -
114	TYPICAL WALL TO WALL CONNECTION DETAIL	REV: -
115	TYPICAL WALL TO WALL CONNECTION DETAIL	REV: -
120	TYPICAL WALL TO ROOF CONNECTION DETAIL	REV: -
121	TYPICAL WALL TO ROOF CONNECTION DETAIL	REV: -
122	TYPICAL WALL TO ROOF CONNECTION DETAIL	REV: -
123	TYPICAL WALL TO ROOF CONNECTION DETAIL	REV: -
124	TYPICAL WALL TO ROOF CONNECTION DETAIL	REV: -
125	TYPICAL WALL TO ROOF CONNECTION DETAIL	REV: -
126	TYPICAL WALL TO ROOF CONNECTION DETAIL	REV: -
127	TYPICAL WALL TO ROOF CONNECTION DETAIL	REV: -
128	TYPICAL WALL TO ROOF CONNECTION DETAIL	REV: -
130	TYPICAL WINDOW CONNECTION DETAIL	REV: -
131	TYPICAL WINDOW CONNECTION DETAIL	REV: -
132	TYPICAL WINDOW CONNECTION DETAIL	REV: -
133	TYPICAL WINDOW CONNECTION DETAIL	REV: -

**STANDARD HORIZONTAL DETAILS**

200	TYPICAL WALL TO FLOOR CONNECTION DETAIL	REV: -
201	TYPICAL WALL TO FLOOR CONNECTION DETAIL	REV: -
202	TYPICAL WALL TO FLOOR CONNECTION DETAIL	REV: -
203	TYPICAL WALL TO FLOOR CONNECTION DETAIL	REV: -
204	TYPICAL WALL TO FLOOR CONNECTION DETAIL	REV: -
205	TYPICAL WALL TO FLOOR CONNECTION DETAIL	REV: -
206	TYPICAL WALL TO FLOOR CONNECTION DETAIL	REV: -
207	TYPICAL WALL TO FLOOR CONNECTION DETAIL	REV: -
208	TYPICAL WALL TO FLOOR CONNECTION DETAIL	REV: -
210	TYPICAL WALL TO WALL CONNECTION DETAIL	REV: -
211	TYPICAL WALL TO WALL CONNECTION DETAIL	REV: -
212	TYPICAL WALL TO WALL CONNECTION DETAIL	REV: -
213	TYPICAL WALL TO WALL CONNECTION DETAIL	REV: -
214	TYPICAL WALL TO WALL CONNECTION DETAIL	REV: -
215	TYPICAL WALL TO WALL CONNECTION DETAIL	REV: -
216	TYPICAL WALL TO WALL CONNECTION DETAIL	REV: -
217	TYPICAL WALL TO WALL CONNECTION DETAIL	REV: -
218	TYPICAL WALL TO WALL CONNECTION DETAIL	REV: -
219	TYPICAL WALL TO WALL CONNECTION DETAIL	REV: -
220	TYPICAL WALL TO ROOF CONNECTION DETAIL	REV: -
221	TYPICAL WALL TO ROOF CONNECTION DETAIL	REV: -
222	TYPICAL WALL TO ROOF CONNECTION DETAIL	REV: -
223	TYPICAL WALL TO ROOF CONNECTION DETAIL	REV: -
224	TYPICAL WALL TO ROOF CONNECTION DETAIL	REV: -
225	TYPICAL WALL TO ROOF CONNECTION DETAIL	REV: -
226	TYPICAL WALL TO ROOF CONNECTION DETAIL	REV: -
227	TYPICAL WALL TO ROOF CONNECTION DETAIL	REV: -
230	TYPICAL WINDOW CONNECTION DETAIL	REV: -
231	TYPICAL WINDOW CONNECTION DETAIL	REV: -
232	TYPICAL WINDOW CONNECTION DETAIL	REV: -
233	TYPICAL WINDOW CONNECTION DETAIL	REV: -
234	TYPICAL WINDOW CONNECTION DETAIL	REV: -
235	TYPICAL WINDOW CONNECTION DETAIL	REV: -



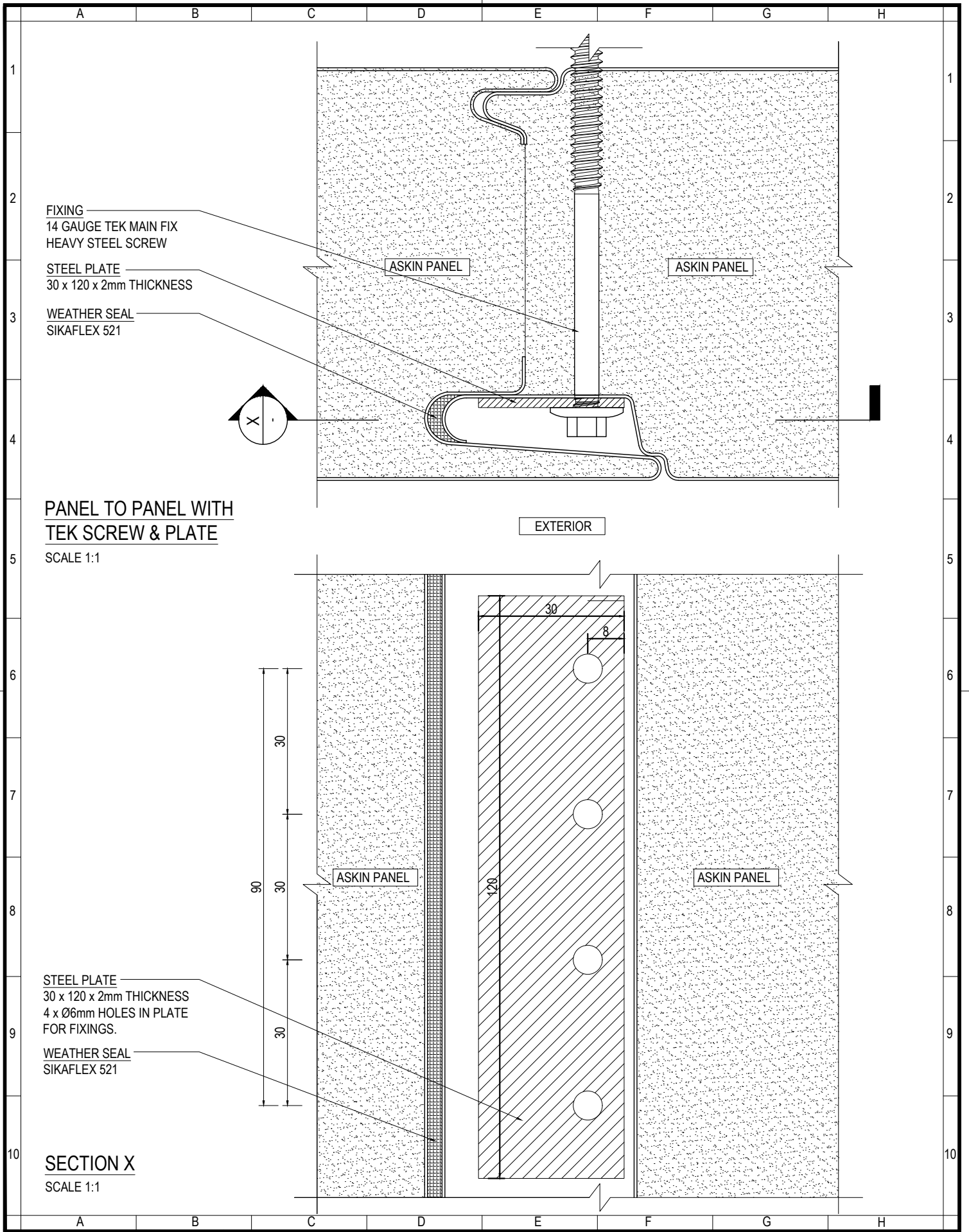
www.askin.net.au  
 VIC P : 03 8769 4816 WA P : 08 9249 4022  
 SA P : 08 8252 7188 QLD P : 07 3718 9500  
 NSW P : 02 8825 2598 NT P : 08 8252 7188

PROJECT:  
**VIVID SERIES**  
 INDEX

©ASKIN 2020

Revision		
-	-	-
-	-	-
-	-	-
-	-	-
-	-	-
-	-	-
-	-	-
-	-	-
-	-	-
-	-	-
-	-	-

Checked By <b>A SHANNON</b>	Scale NTS
Drawn By <b>R VORWERK</b>	Sheet size A4
Issue date 13.02.2020	Revision -
Drawing No. <b>AVS - INDEX 01</b>	



www.askin.net.au  
 VIC P : 03 8769 4816 WA P : 08 9249 4022  
 SA P : 08 8252 7188 QLD P : 07 3718 9500  
 NSW P : 02 8825 2598 NT P : 08 8252 7188

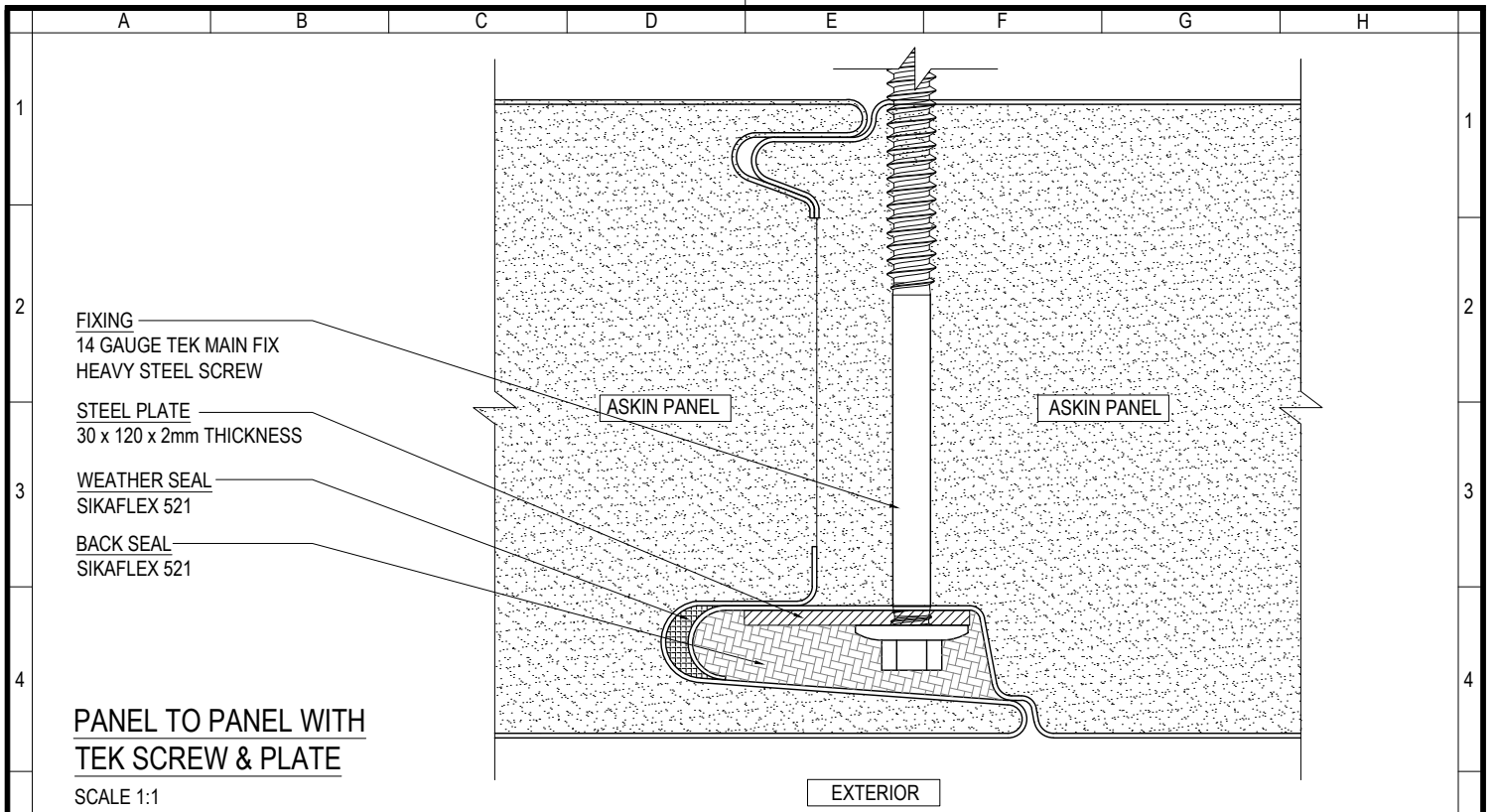
PROJECT:  
**VIVID SERIES**  
 PANEL TO PANEL JOINT

©ASKIN 2020

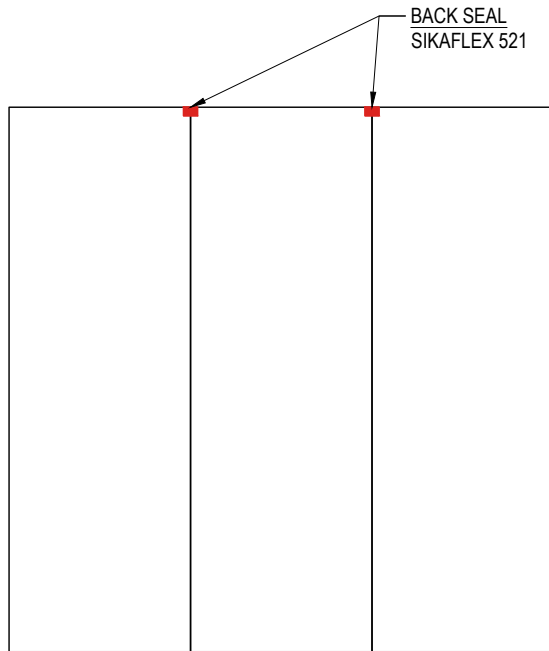
Revision	Checked By	Scale
-	A SHANNON	1:1
-	R VORWERK	Sheet size
-	Issue date	Revision
-	13.02.2020	-
-	Drawing No.	

Checked By	Scale
A SHANNON	1:1
Drawn By	Sheet size
R VORWERK	A4
Issue date	Revision
13.02.2020	-
Drawing No.	
<b>AVS - 001</b>	

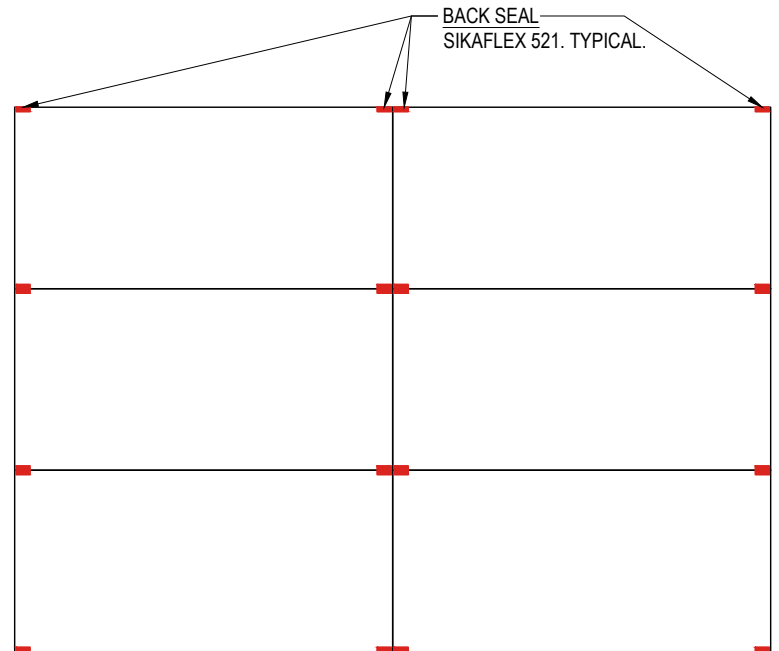




**PANEL TO PANEL WITH  
TEK SCREW & PLATE**  
SCALE 1:1



**VERTICAL PANEL  
BACK SEAL LOCATIONS**  
SCALE NTS



**HORIZONTAL PANEL  
BACK SEAL LOCATIONS**  
SCALE NTS



www.askin.net.au  
 VIC P : 03 8769 4816 WA P : 08 9249 4022  
 SA P : 08 8252 7188 QLD P : 07 3718 9500  
 NSW P : 02 8825 2598 NT P : 08 8252 7188

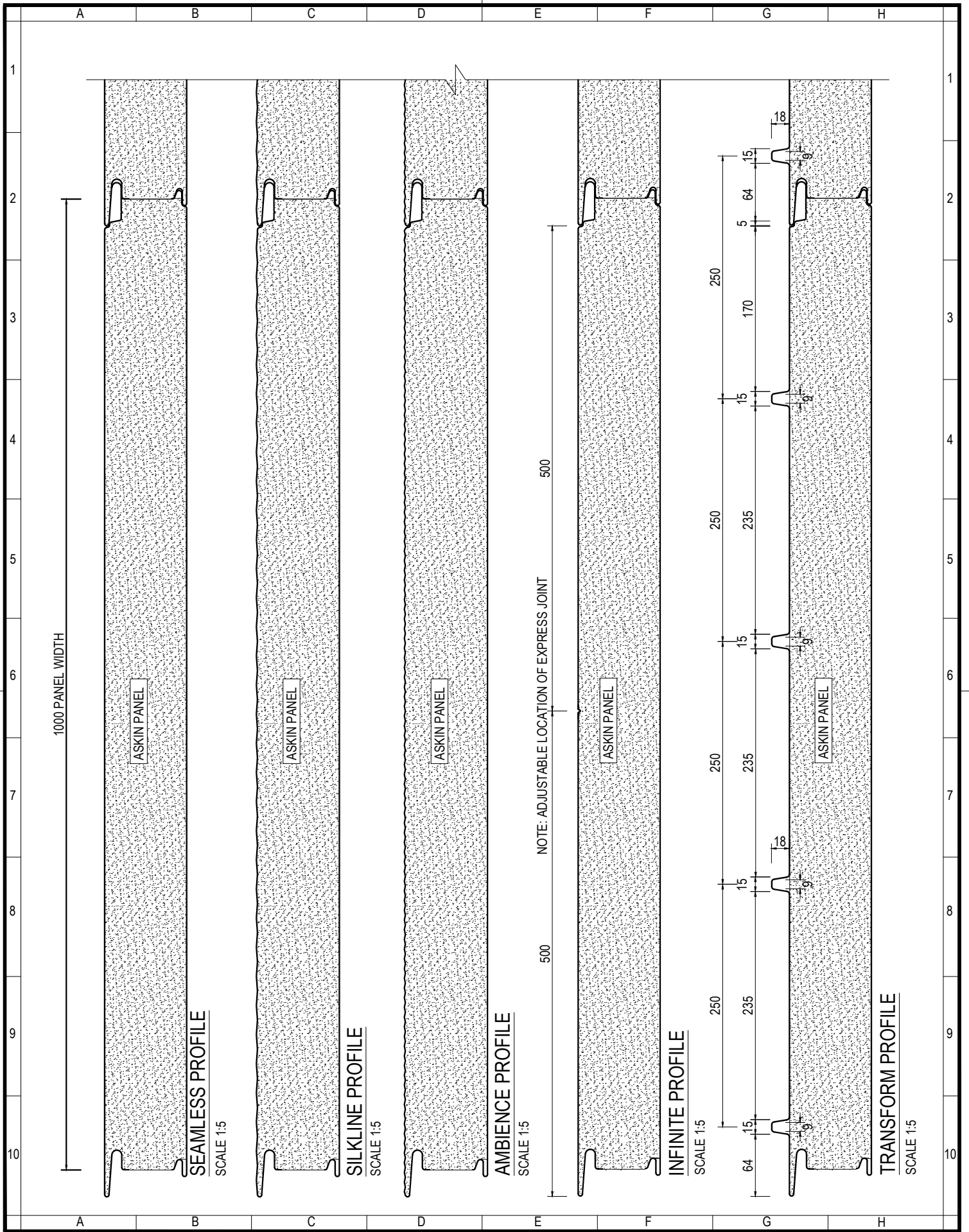
PROJECT:  
**VIVID SERIES**  
 PANEL TO PANEL JOINT

©ASKIN 2020

Revision		
-	-	-
-	-	-
-	-	-
-	-	-
-	-	-
-	-	-
-	-	-
-	-	-
-	-	-

Checked By A SHANNON	Scale 1:1
Drawn By R VORWERK	Sheet size A4
Issue date 13.02.2020	Revision -
Drawing No.	

AVS - 002



www.askin.net.au  
 VIC P : 03 8769 4816 WA P : 08 9249 4022  
 SA P : 08 8252 7188 QLD P : 07 3718 9500  
 NSW P : 02 8825 2598 NT P : 08 8252 7188

PROJECT:  
**VIVID SERIES**  
 PANEL PROFILES

©ASKIN 2020

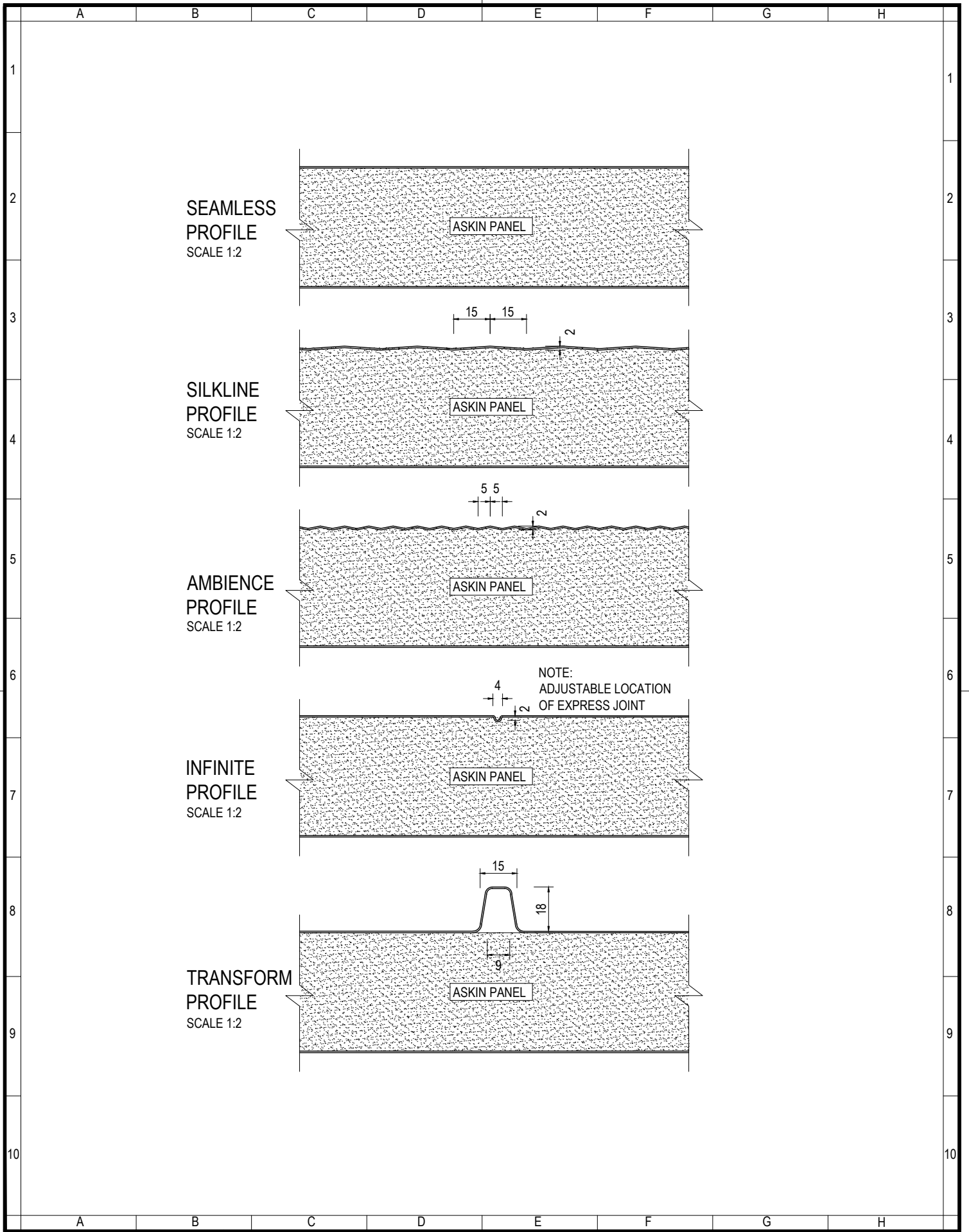
Revision	Checked By	Scale
-	A SHANNON	1:5
-	R VORWERK	Sheet size
-	Issue date	Revision
-	13.02.2020	-
-	Drawing No.	-

Checked By  
A SHANNON  
Scale 1:5

Drawn By  
R VORWERK  
Sheet size A4

Issue date  
13.02.2020  
Revision -

Drawing No.  
AVS - 005



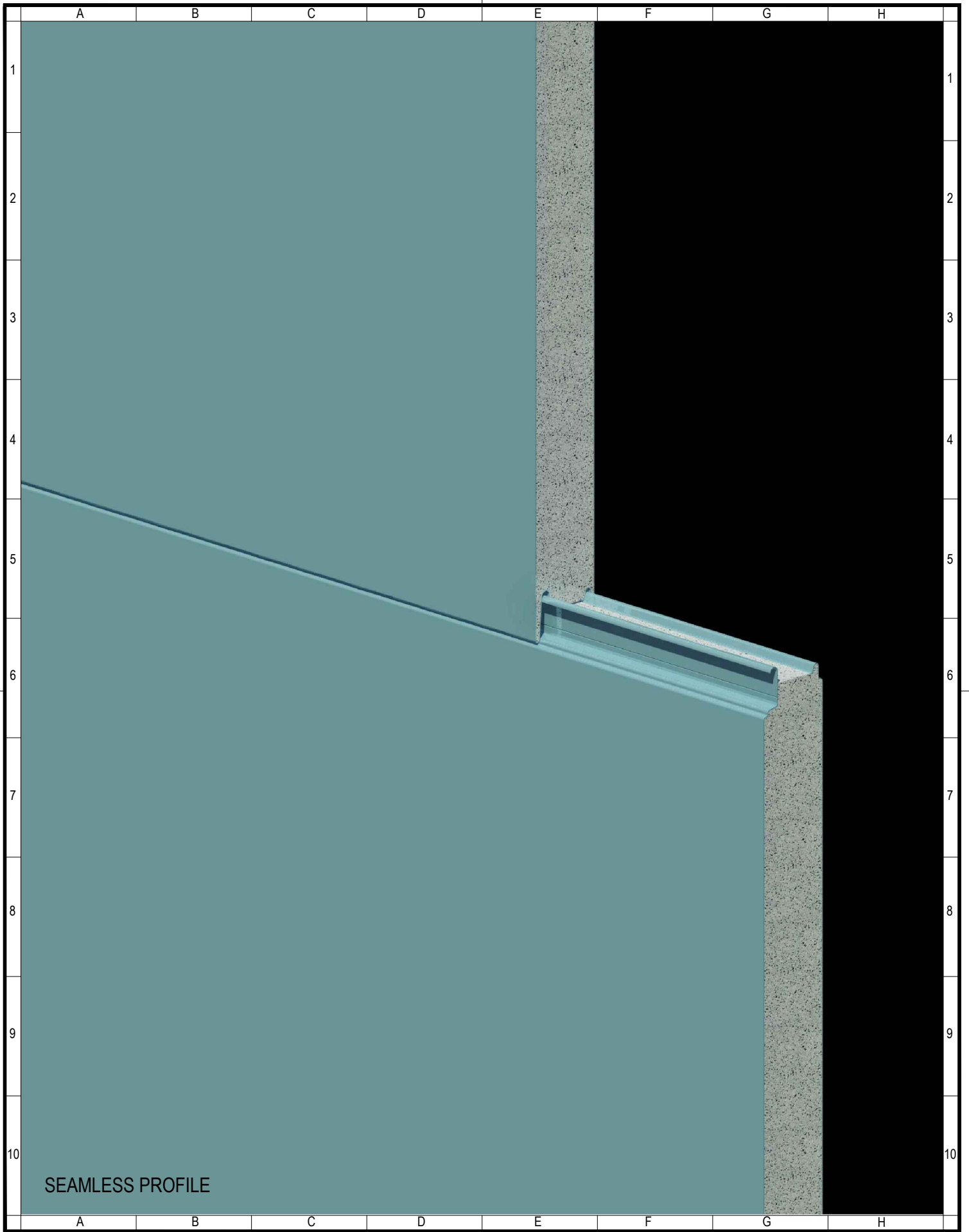
www.askin.net.au  
 VIC P : 03 8769 4816 WA P : 08 9249 4022  
 SA P : 08 8252 7188 QLD P : 07 3718 9500  
 NSW P : 02 8825 2598 NT P : 08 8252 7188

PROJECT:  
**VIVID SERIES**  
 PANEL PROFILES

©ASKIN 2020

Revision		
-	-	-
-	-	-
-	-	-
-	-	-
-	-	-
-	-	-
-	-	-
-	-	-
-	-	-

Checked By <b>A SHANNON</b>	Scale 1:2
Drawn By <b>R VORWERK</b>	Sheet size A4
Issue date 13.02.2020	Revision -
Drawing No. <b>AVS - 006</b>	



SEAMLESS PROFILE



www.askin.net.au  
 VIC P : 03 8769 4816 WA P : 08 9249 4022  
 SA P : 08 8252 7188 QLD P : 07 3718 9500  
 NSW P : 02 8825 2598 NT P : 08 8252 7188

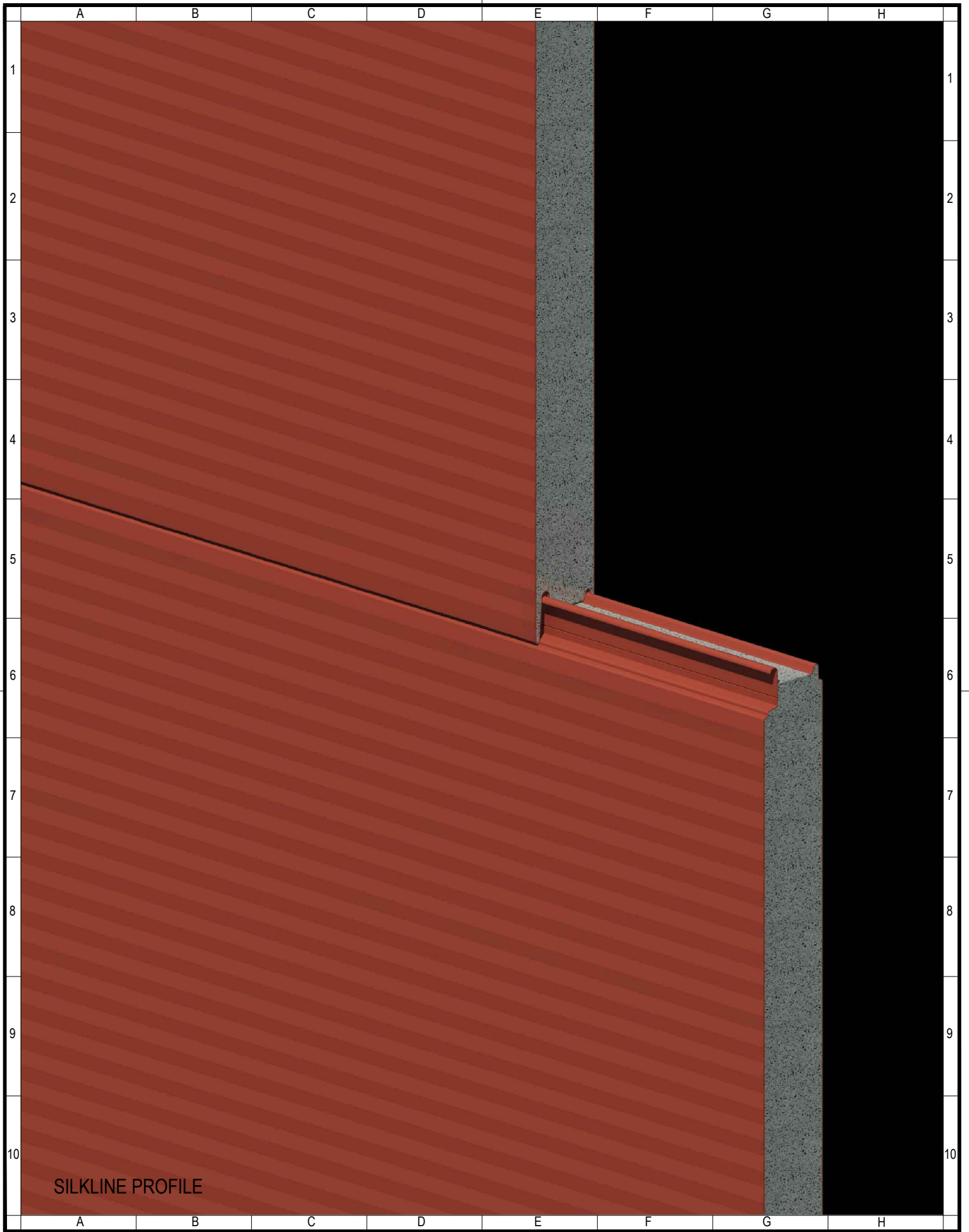
PROJECT:  
**VIVID SERIES**  
 SEAMLESS PROFILE

©ASKIN 2020

Revision		
-	-	-
-	-	-
-	-	-
-	-	-
-	-	-
-	-	-
-	-	-
-	-	-
-	-	-

Checked By <b>A SHANNON</b>	Scale NTS
Drawn By <b>R VORWERK</b>	Sheet size A4
Issue date 13.02.2020	Revision -
Drawing No. <b>AVS - 010</b>	





SILKLINE PROFILE



www.askin.net.au  
 VIC P : 03 8769 4816 WA P : 08 9249 4022  
 SA P : 08 8252 7188 QLD P : 07 3718 9500  
 NSW P : 02 8825 2598 NT P : 08 8252 7188

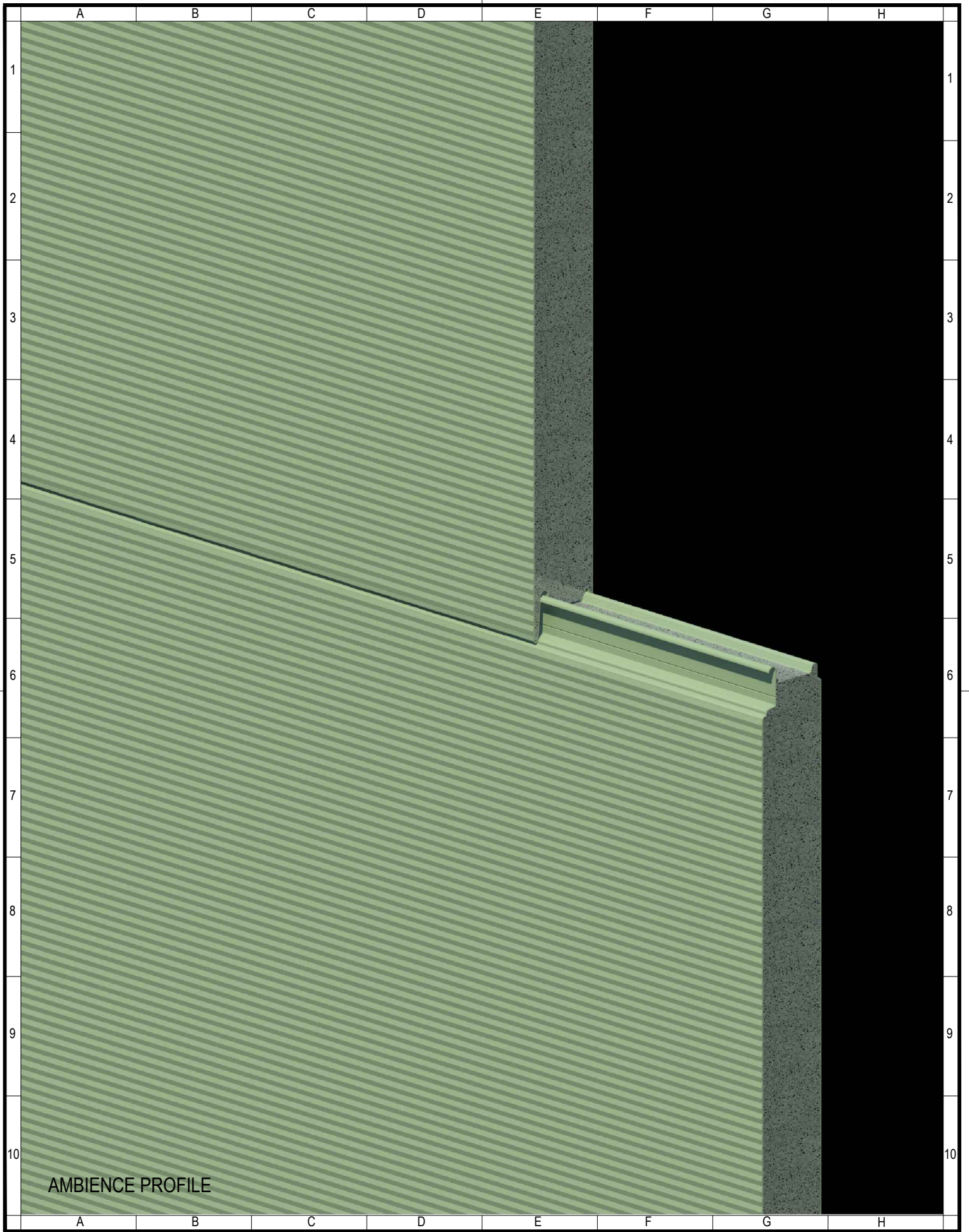
PROJECT:  
**VIVID SERIES**  
 SILKLINE PROFILE

©ASKIN 2020

Revision		
-	-	-
-	-	-
-	-	-
-	-	-
-	-	-
-	-	-
-	-	-
-	-	-
-	-	-

Checked By <b>A SHANNON</b>	Scale NTS
Drawn By <b>R VORWERK</b>	Sheet size A4
Issue date 13.02.2020	Revision -
Drawing No. <b>AVS - 011</b>	





AMBIENCE PROFILE



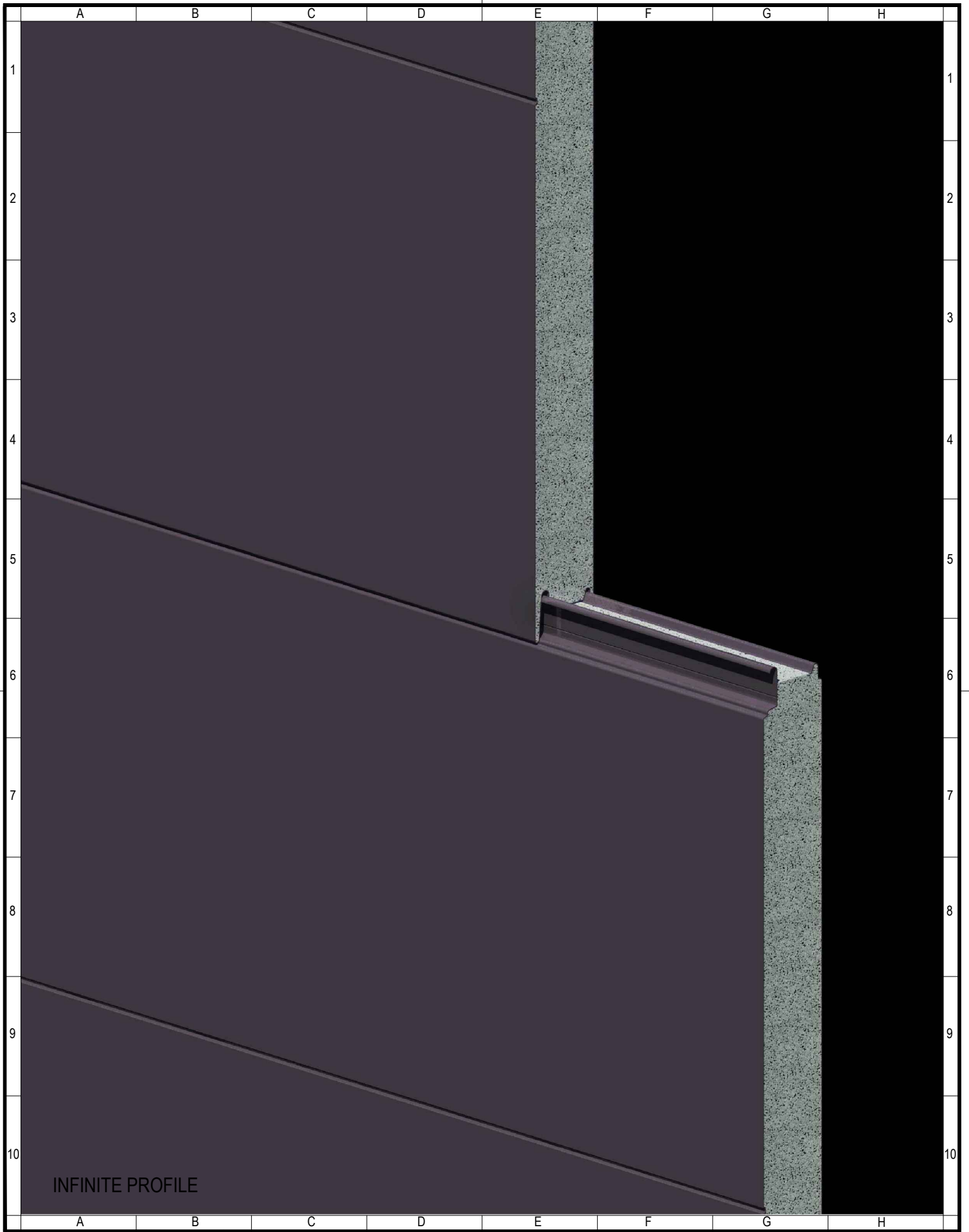
www.askin.net.au  
 VIC P : 03 8769 4816 WA P : 08 9249 4022  
 SA P : 08 8252 7188 QLD P : 07 3718 9500  
 NSW P : 02 8825 2598 NT P : 08 8252 7188

PROJECT:  
**VIVID SERIES**  
 AMBIENCE PROFILE

©ASKIN 2020

Revision		
-	-	-
-	-	-
-	-	-
-	-	-
-	-	-
-	-	-
-	-	-
-	-	-
-	-	-

Checked By <b>A SHANNON</b>	Scale NTS
Drawn By <b>R VORWERK</b>	Sheet size A4
Issue date 13.02.2020	Revision -
Drawing No. <b>AVS - 012</b>	



www.askin.net.au  
 VIC P : 03 8769 4816 WA P : 08 9249 4022  
 SA P : 08 8252 7188 QLD P : 07 3718 9500  
 NSW P : 02 8825 2598 NT P : 08 8252 7188

PROJECT:  
**VIVID SERIES**  
 INFINITE PROFILE

©ASKIN 2020

Revision		
-	-	-
-	-	-
-	-	-
-	-	-
-	-	-
-	-	-
-	-	-
-	-	-
-	-	-
-	-	-

Checked By <b>A SHANNON</b>	Scale NTS
Drawn By <b>R VORWERK</b>	Sheet size A4
Issue date 13.02.2020	Revision -
Drawing No. <b>AVS - 013</b>	



TRANSFORM PROFILE



www.askin.net.au  
 VIC P : 03 8769 4816 WA P : 08 9249 4022  
 SA P : 08 8252 7188 QLD P : 07 3718 9500  
 NSW P : 02 8825 2598 NT P : 08 8252 7188

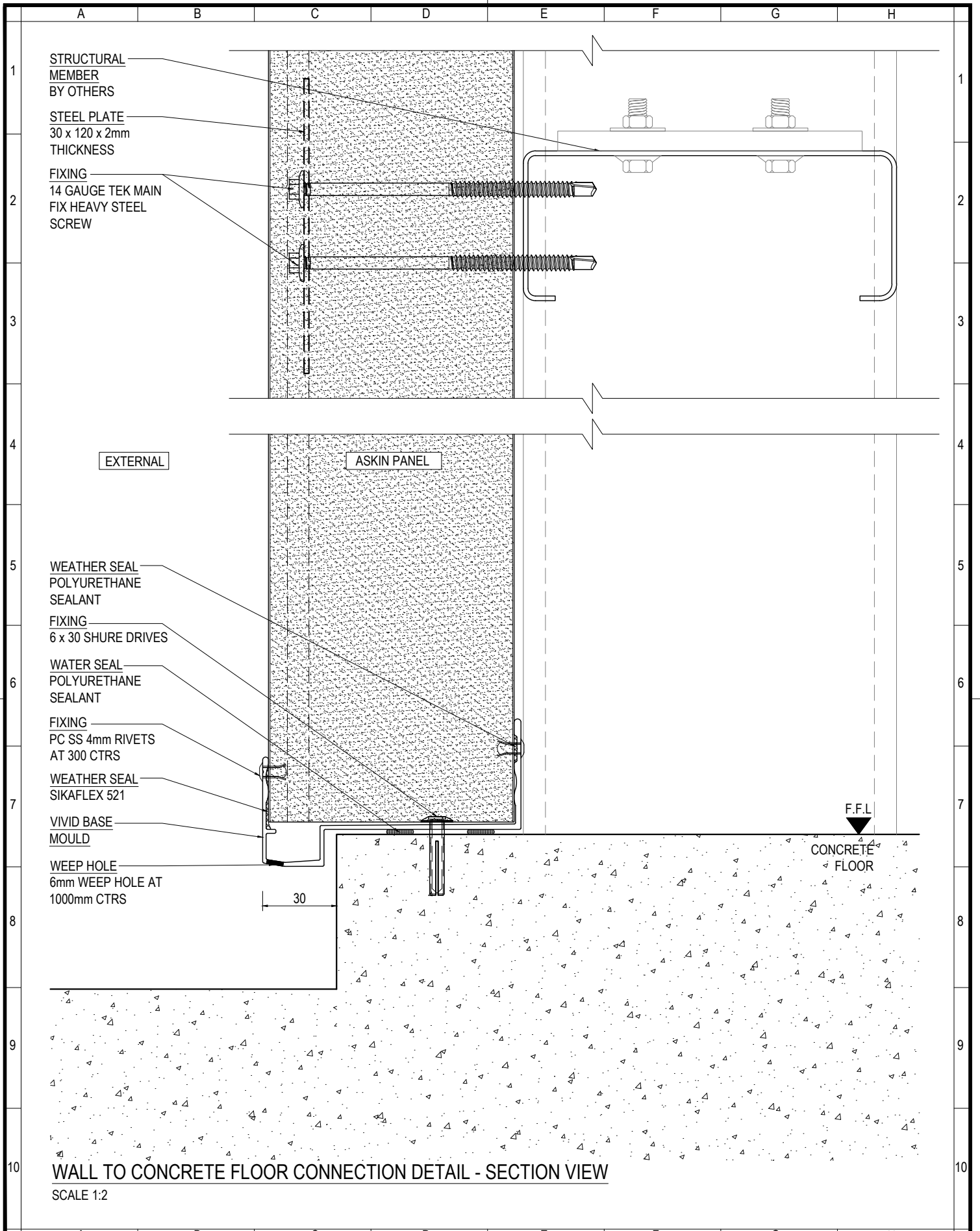
PROJECT:  
**VIVID SERIES**  
 TRANSFORM PROFILE

©ASKIN 2020

Revision		
-	-	-
-	-	-
-	-	-
-	-	-
-	-	-
-	-	-
-	-	-
-	-	-
-	-	-

Checked By <b>A SHANNON</b>	Scale NTS
Drawn By <b>R VORWERK</b>	Sheet size A4
Issue date 13.02.2020	Revision -
Drawing No. <b>AVS - 014</b>	





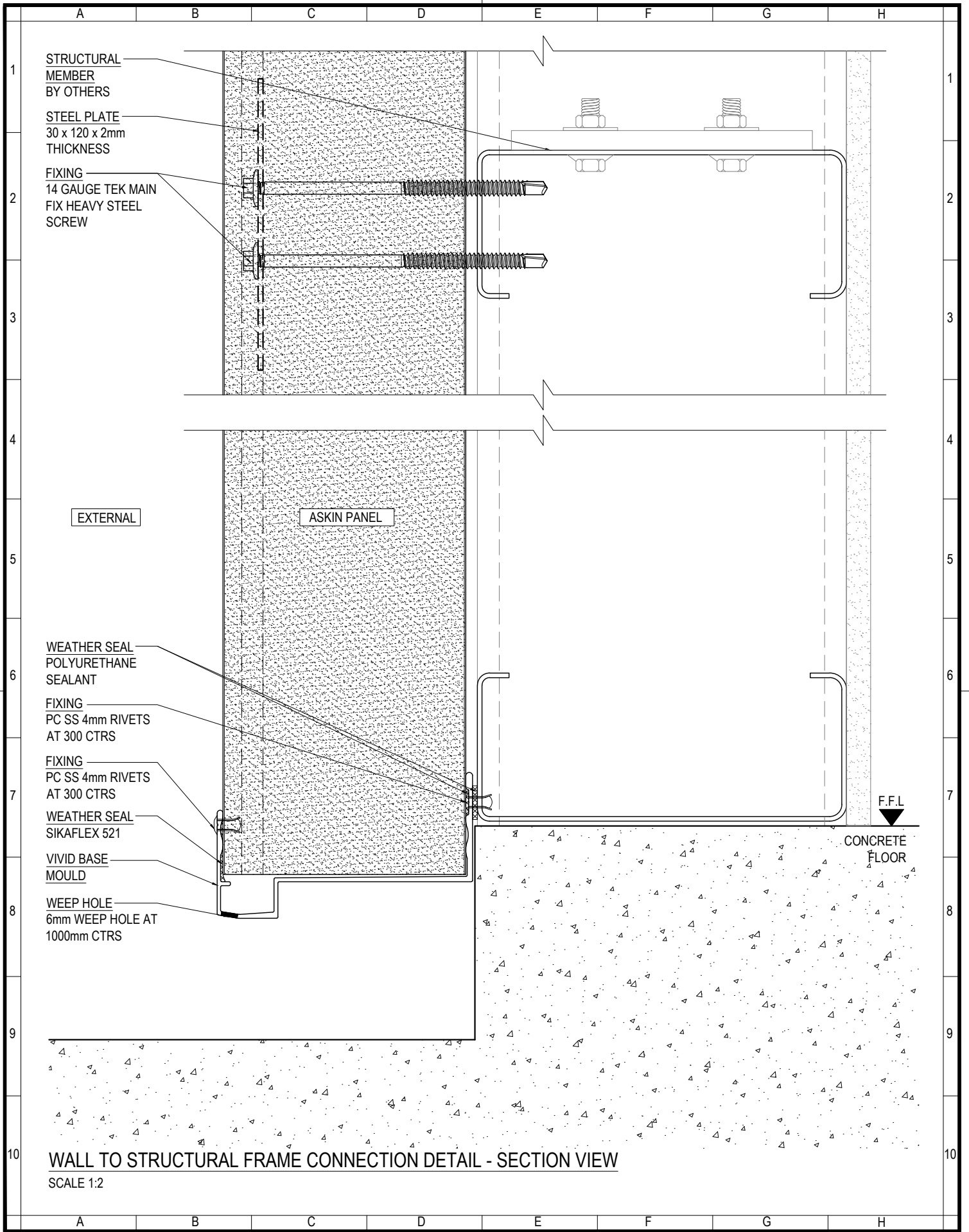
www.askin.net.au  
 VIC P: 03 8769 4816 WA P: 08 9249 4022  
 SA P: 08 8252 7188 QLD P: 07 3718 9500  
 NSW P: 02 8825 2598 NT P: 08 8252 7188

PROJECT:  
**VIVID SERIES**  
 STANDARD VERTICAL  
 WALL TO FLOOR  
 CONNECTION DETAIL

©ASKIN 2020

Revision		
-	-	-
-	-	-
-	-	-
-	-	-
-	-	-
-	-	-
-	-	-
-	-	-
-	-	-

Checked By <b>A SHANNON</b>	Scale 1:2
Drawn By <b>R VORWERK</b>	Sheet size A4
Issue date 13.02.2020	Revision -
Drawing No. <b>AVS - 100</b>	



**WALL TO STRUCTURAL FRAME CONNECTION DETAIL - SECTION VIEW**  
 SCALE 1:2



www.askin.net.au  
 VIC P : 03 8769 4816 WA P : 08 9249 4022  
 SA P : 08 8252 7188 QLD P : 07 3718 9500  
 NSW P : 02 8825 2598 NT P : 08 8252 7188

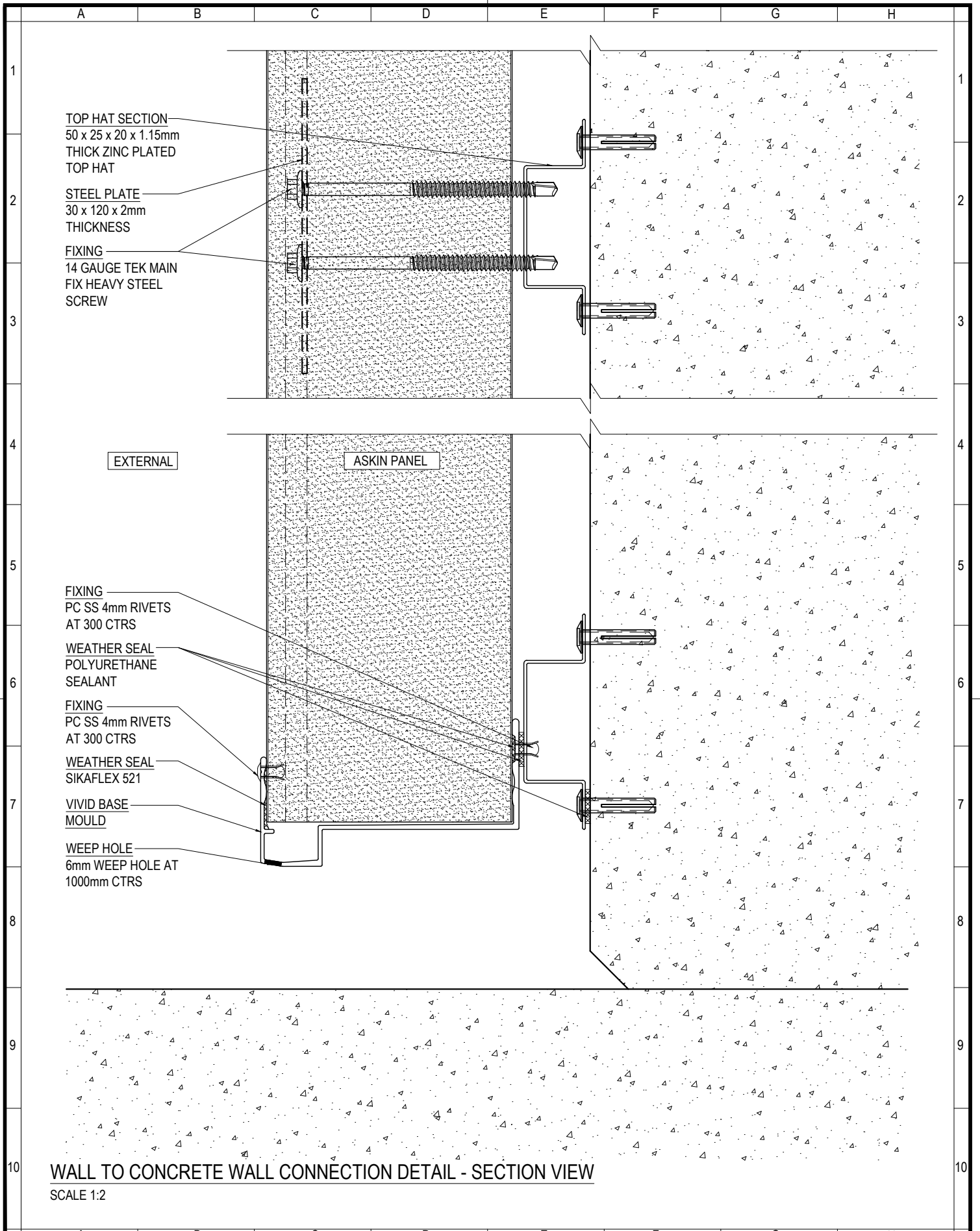
PROJECT:  
**VIVID SERIES**  
 STANDARD VERTICAL  
 WALL TO FLOOR  
 CONNECTION DETAIL

©ASKIN 2020

Revision		
-	-	-
-	-	-
-	-	-
-	-	-
-	-	-
-	-	-
-	-	-
-	-	-
-	-	-

Checked By <b>A SHANNON</b>	Scale 1:2
Drawn By <b>R VORWERK</b>	Sheet size A4
Issue date 13.02.2020	Revision -
Drawing No. <b>AVS - 101</b>	





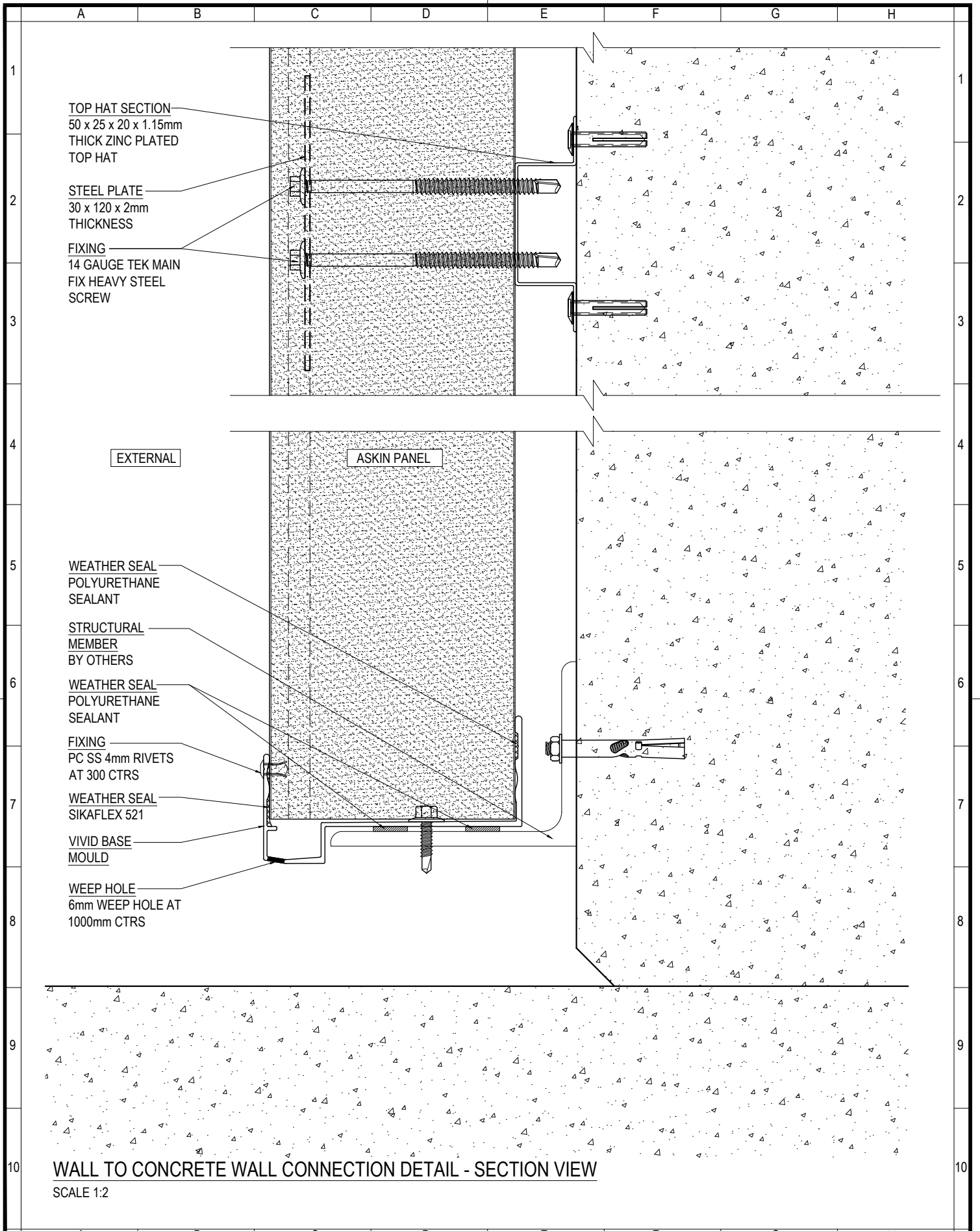
www.askin.net.au  
 VIC P : 03 8769 4816 WA P : 08 9249 4022  
 SA P : 08 8252 7188 QLD P : 07 3718 9500  
 NSW P : 02 8825 2598 NT P : 08 8252 7188

PROJECT:  
**VIVID SERIES**  
 STANDARD VERTICAL  
 WALL TO FLOOR  
 CONNECTION DETAIL

©ASKIN 2020

Revision		
-	-	-
-	-	-
-	-	-
-	-	-
-	-	-
-	-	-
-	-	-
-	-	-
-	-	-

Checked By <b>A SHANNON</b>	Scale 1:2
Drawn By <b>R VORWERK</b>	Sheet size A4
Issue date 13.02.2020	Revision -
Drawing No. <b>AVS - 102</b>	



www.askin.net.au  
 VIC P: 03 8769 4816 WA P: 08 9249 4022  
 SA P: 08 8252 7188 QLD P: 07 3718 9500  
 NSW P: 02 8825 2598 NT P: 08 8252 7188

PROJECT:

**VIVID SERIES**  
 STANDARD VERTICAL  
 WALL TO FLOOR  
 CONNECTION DETAIL

©ASKIN 2020

Revision

-	-	-
-	-	-
-	-	-
-	-	-
-	-	-
-	-	-
-	-	-
-	-	-
-	-	-
-	-	-

Checked By

A SHANNON

Scale

1:2

Drawn By

R VORWERK

Sheet size

A4

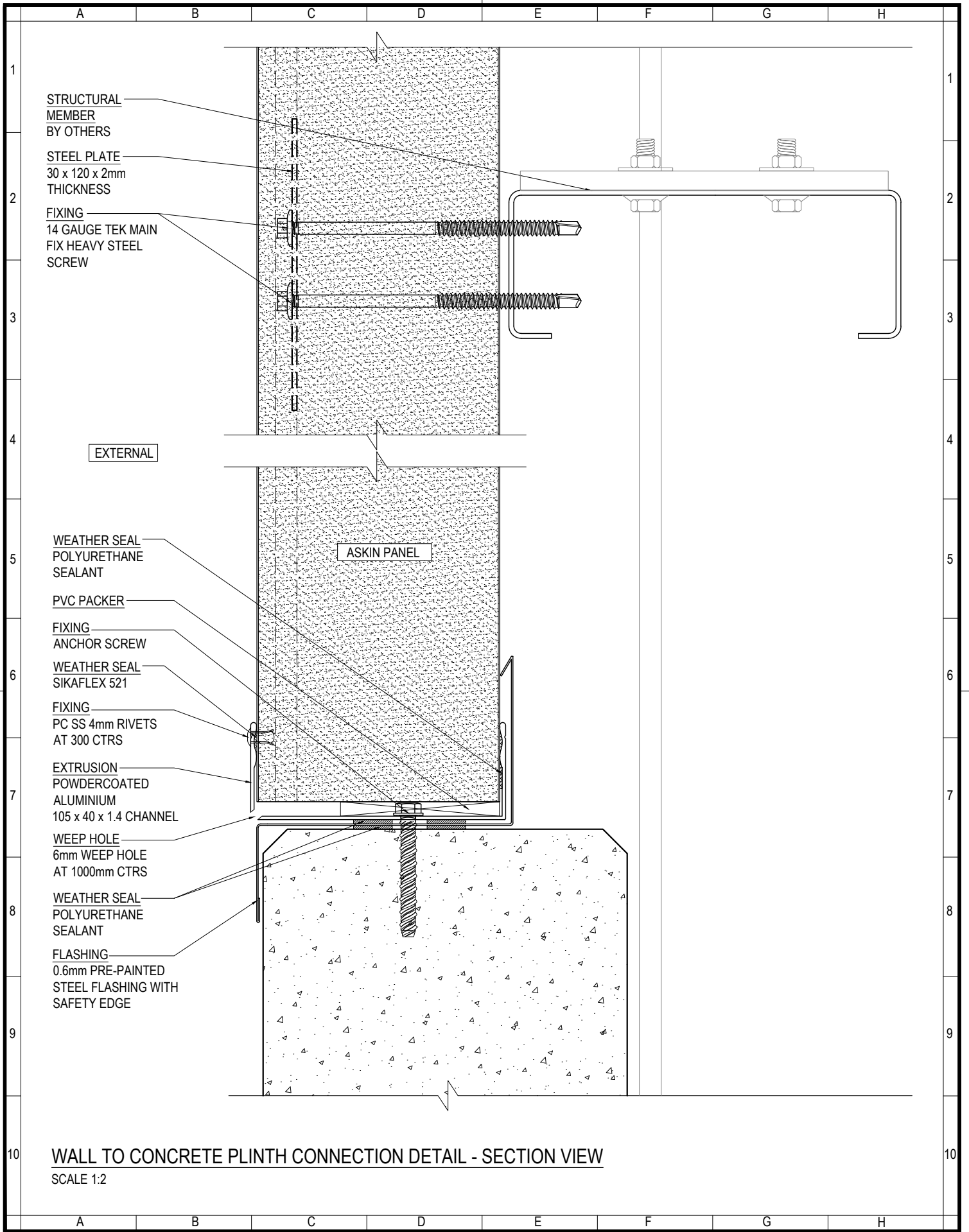
Issue date

13.02.2020

Revision

Drawing No.

AVS - 103



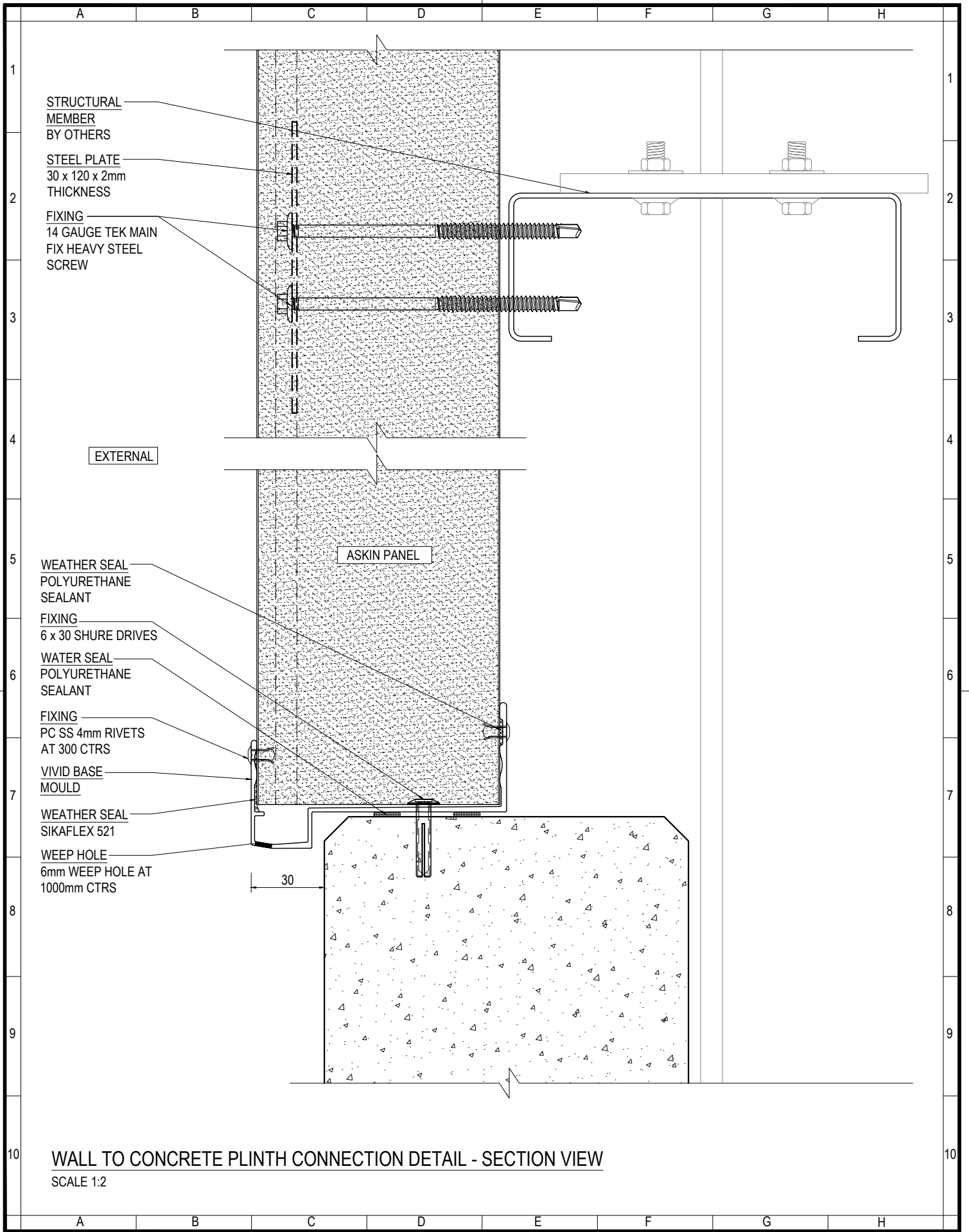
www.askin.net.au  
 VIC P : 03 8769 4816 WA P : 08 9249 4022  
 SA P : 08 8252 7188 QLD P : 07 3718 9500  
 NSW P : 02 8825 2598 NT P : 08 8252 7188

PROJECT:  
**VIVID SERIES**  
 STANDARD VERTICAL  
 WALL TO FLOOR  
 CONNECTION DETAIL

©ASKIN 2020

Revision		
-	-	-
-	-	-
-	-	-
-	-	-
-	-	-
-	-	-
-	-	-
-	-	-
-	-	-

Checked By <b>A SHANNON</b>	Scale 1:2
Drawn By <b>R VORWERK</b>	Sheet size A4
Issue date 13.02.2020	Revision -
Drawing No. <b>AVS - 104</b>	



**WALL TO CONCRETE PLINTH CONNECTION DETAIL - SECTION VIEW**  
SCALE 1:2



www.askin.net.au  
 VIC P : 03 8769 4816 WA P : 08 9249 4022  
 SA P : 08 8252 7188 QLD P : 07 3718 9500  
 NSW P : 02 8825 2598 NT P : 08 8252 7188

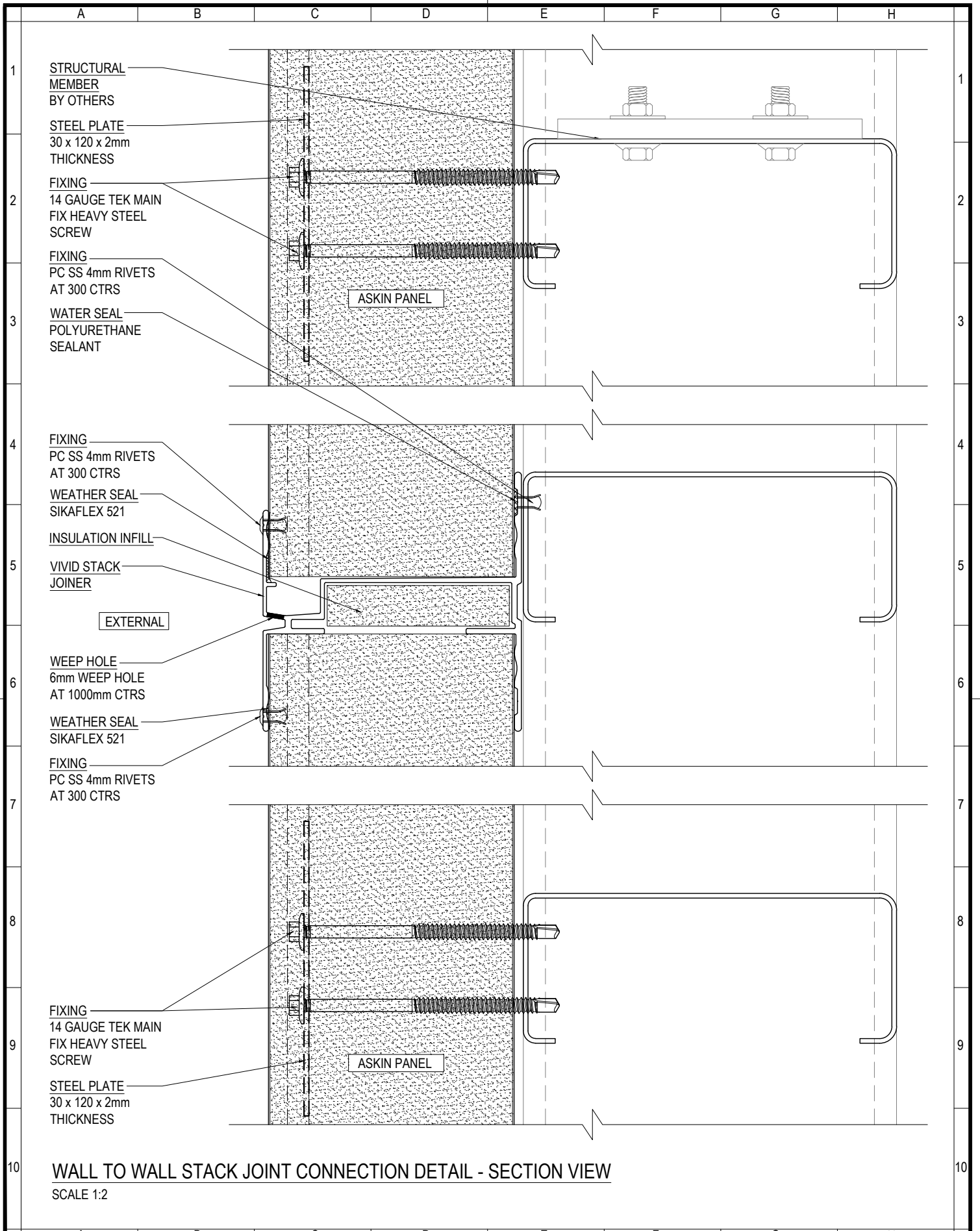
PROJECT:  
**VIVID SERIES**  
 STANDARD VERTICAL  
 WALL TO FLOOR  
 CONNECTION DETAIL

©ASKIN 2020

Revision		
-	-	-
-	-	-
-	-	-
-	-	-
-	-	-
-	-	-
-	-	-
-	-	-
-	-	-

Checked By <b>A SHANNON</b>	Scale 1:2
Drawn By <b>R VORWERK</b>	Sheet size A4
Issue date 13.02.2020	Revision -
Drawing No. <b>AVS - 105</b>	





**WALL TO WALL STACK JOINT CONNECTION DETAIL - SECTION VIEW**  
SCALE 1:2



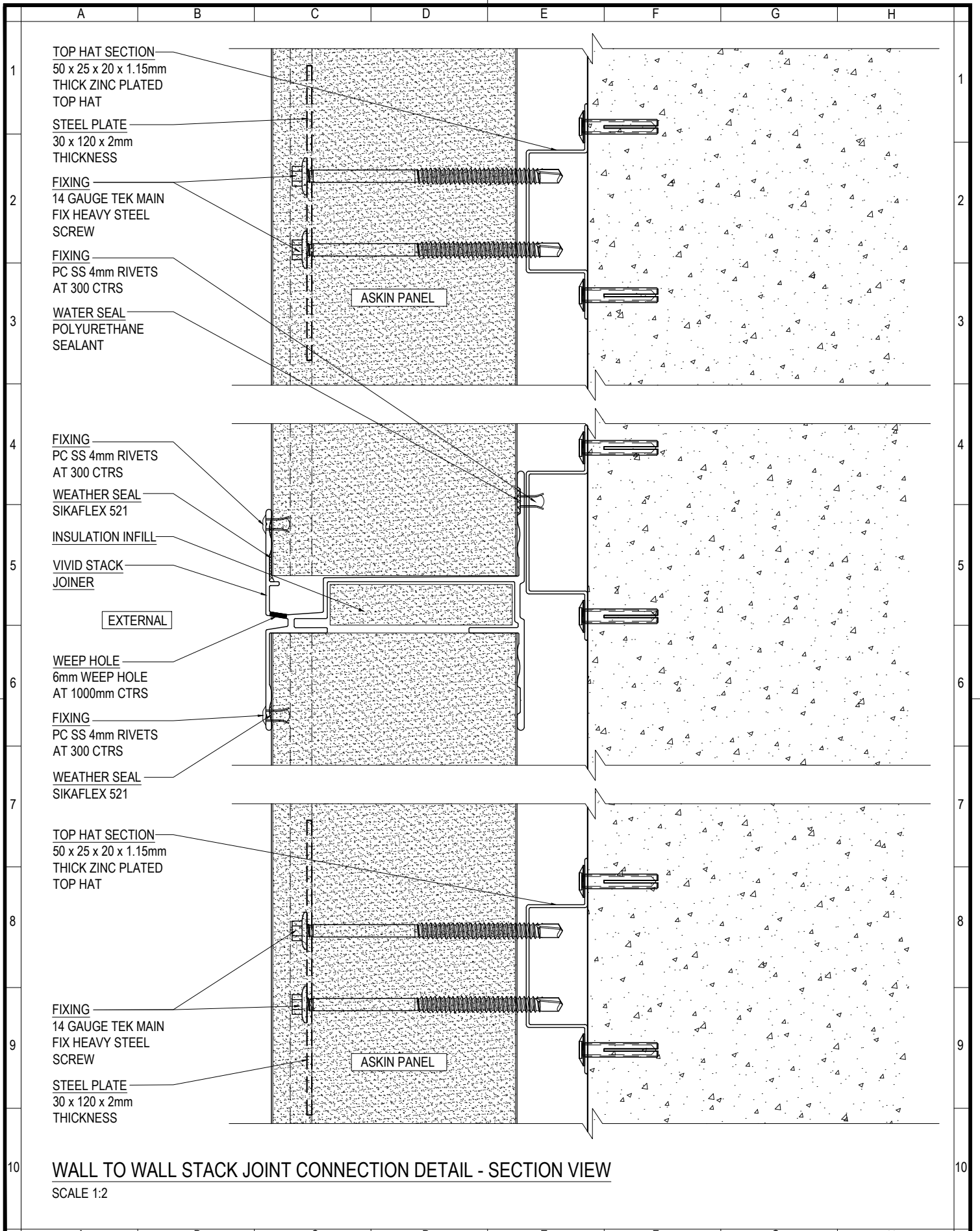
www.askin.net.au  
 VIC P : 03 8769 4816 WA P : 08 9249 4022  
 SA P : 08 8252 7188 QLD P : 07 3718 9500  
 NSW P : 02 8825 2598 NT P : 08 8252 7188

PROJECT:  
**VIVID SERIES**  
 STANDARD VERTICAL  
 WALL TO FLOOR  
 CONNECTION DETAIL  
 ©ASKIN 2020

Revision		
-	-	-
-	-	-
-	-	-
-	-	-
-	-	-
-	-	-
-	-	-
-	-	-
-	-	-

Checked By <b>A SHANNON</b>	Scale 1:2
Drawn By <b>R VORWERK</b>	Sheet size A4
Issue date 13.02.2020	Revision -
Drawing No. <b>AVS - 106</b>	





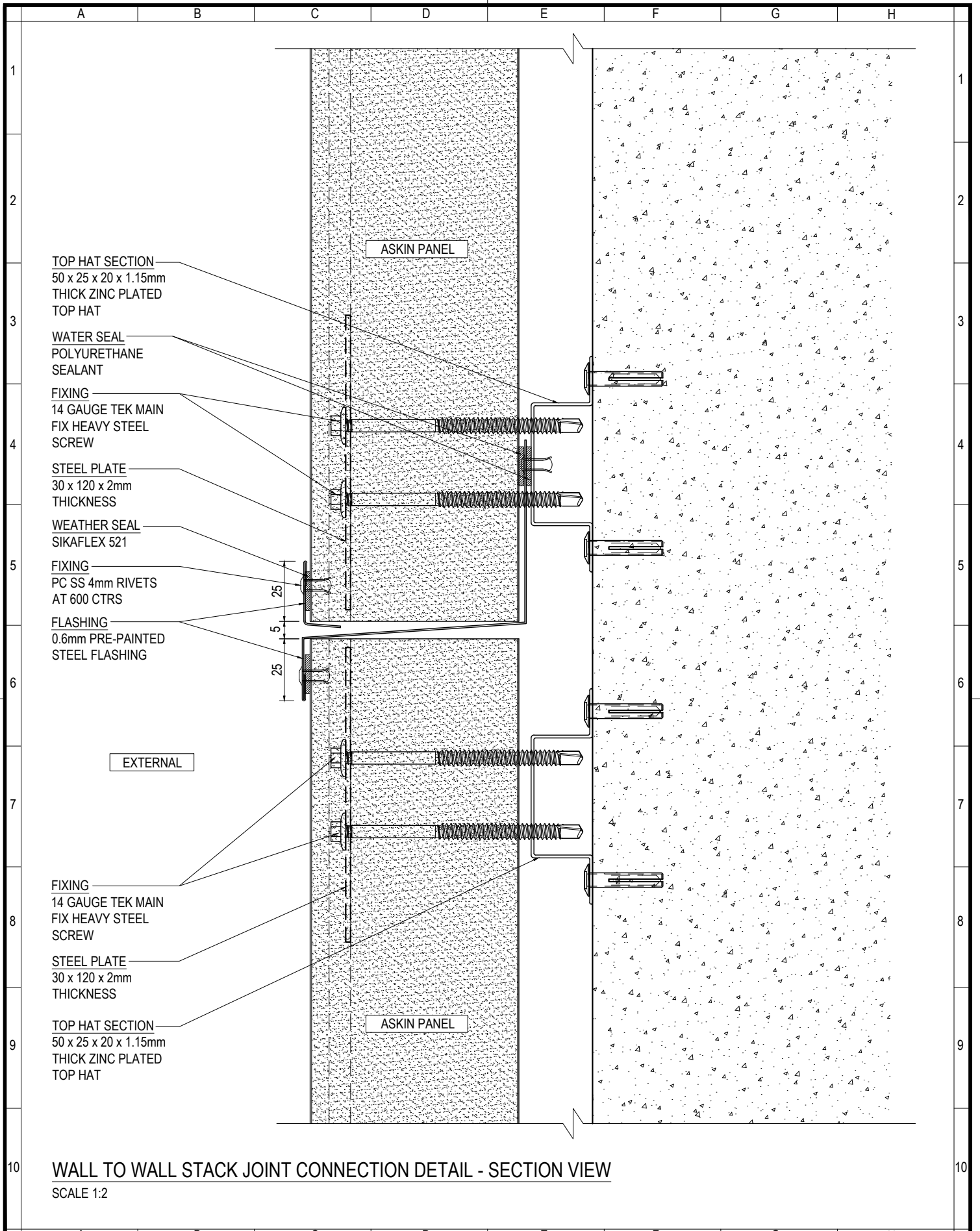
www.askin.net.au  
 VIC P : 03 8769 4816 WA P : 08 9249 4022  
 SA P : 08 8252 7188 QLD P : 07 3718 9500  
 NSW P : 02 8825 2598 NT P : 08 8252 7188

PROJECT:  
**VIVID SERIES**  
 STANDARD VERTICAL  
 WALL TO FLOOR  
 CONNECTION DETAIL

©ASKIN 2020

Revision	
-	-
-	-
-	-
-	-
-	-
-	-
-	-
-	-
-	-
-	-

Checked By <b>A SHANNON</b>	Scale 1:2
Drawn By <b>R VORWERK</b>	Sheet size A4
Issue date 13.02.2020	Revision -
Drawing No. <b>AVS - 107</b>	



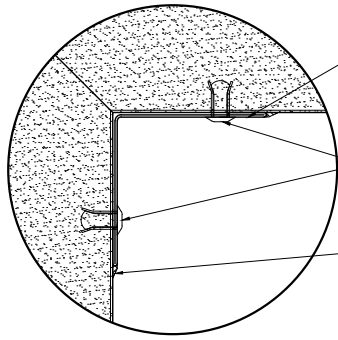
www.askin.net.au  
 VIC P: 03 8769 4816 WA P: 08 9249 4022  
 SA P: 08 8252 7188 QLD P: 07 3718 9500  
 NSW P: 02 8825 2598 NT P: 08 8252 7188

PROJECT:  
**VIVID SERIES**  
 STANDARD VERTICAL  
 WALL TO FLOOR  
 CONNECTION DETAIL

©ASKIN 2020

Revision	Checked By	Scale
-	A SHANNON	1:2
-	R VORWERK	Sheet size
-	Issue date	Revision
-	13.02.2020	-
-	Drawing No.	AVS - 108

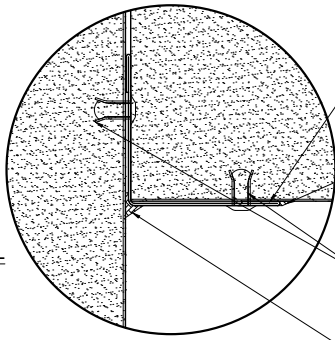
Checked By	Scale
A SHANNON	1:2
Drawn By	Sheet size
R VORWERK	A4
Issue date	Revision
13.02.2020	-
Drawing No.	AVS - 108



FLASHING  
40 x 40 x 0.6  
PRE-PAINTED  
STEEL ANGLE

FIXING  
PC SS 4mm RIVETS  
AT 300 CTRS

OPTIONAL WATER SEAL  
FOOD GRADE SEALANT  
REQUIRED TO WASH  
DOWN AREAS

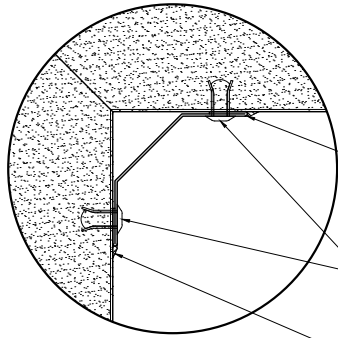


FLASHING  
40 x 40 x 0.6  
PRE-PAINTED  
STEEL ANGLE

WATER SEAL  
FOOD GRADE SEALANT  
REQUIRED TO WASH  
DOWN AREAS

FIXING  
PC SS 4mm RIVETS  
AT 300 CTRS

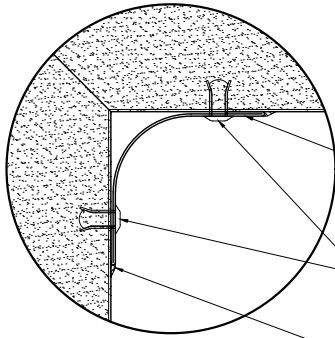
OPTIONAL WATER SEAL  
FOOD GRADE SEALANT  
REQUIRED TO WASH  
DOWN AREAS



FLASHING  
35 x 35 x 0.6  
PRE-PAINTED STEEL  
COVE ANGLE

FIXING  
PC SS 4mm RIVETS  
AT 300 CTRS

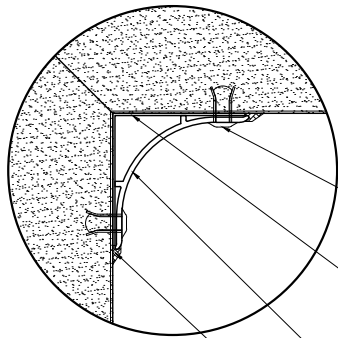
OPTIONAL WATER SEAL  
FOOD GRADE SEALANT  
REQUIRED TO WASH  
DOWN AREAS



FLASHING  
40 x 40 x 0.6  
PRE-PAINTED  
STEEL RADIUS

FIXING  
PC SS 4mm RIVETS  
AT 300 CTRS

OPTIONAL WATER SEAL  
FOOD GRADE SEALANT  
REQUIRED TO WASH  
DOWN AREAS

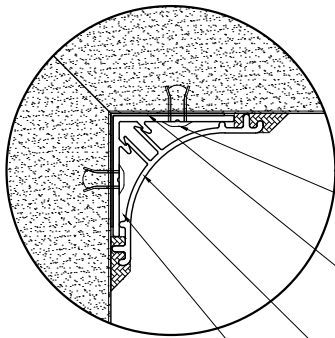


FIXING  
PC SS 4mm RIVETS  
AT 300 CTRS

FLASHING  
40 x 40 x 0.6  
PRE-PAINTED  
STEEL ANGLE

EXTRUSION  
35mm POWDER COATED  
ALUMINIUM RADIUS

OPTIONAL WATER SEAL  
FOOD GRADE SEALANT  
REQUIRED TO WASH  
DOWN AREAS



FIXING  
PC SS 4mm RIVETS  
AT 300 CTRS

FLASHING  
30 x 30 x 0.6  
PRE-PAINTED  
STEEL ANGLE

EXTRUSION  
POWDERCOATED  
ALUMINIUM 2 PART  
HIDDEN FIX RADIUS

OPTIONAL WATER SEAL  
FOOD GRADE SEALANT  
REQUIRED TO WASH  
DOWN AREAS

ALTERNATIVE INTERNAL  
CORNICES - PLAN VIEW

SCALE 1:2



www.askin.net.au  
VIC P : 03 8769 4816 WA P : 08 9249 4022  
SA P : 08 8252 7188 QLD P : 07 3718 9500  
NSW P : 02 8825 2598 NT P : 08 8252 7188

PROJECT:

VIVID SERIES  
STANDARD VERTICAL  
WALL TO WALL  
CONNECTION DETAILS

©ASKIN 2020

Revision

-	-	-
-	-	-
-	-	-
-	-	-
-	-	-
-	-	-
-	-	-
-	-	-
-	-	-
-	-	-

Checked By

A SHANNON

Scale

1:2

Drawn By

R VORWERK

Sheet size

A4

Issue date

13.02.2020

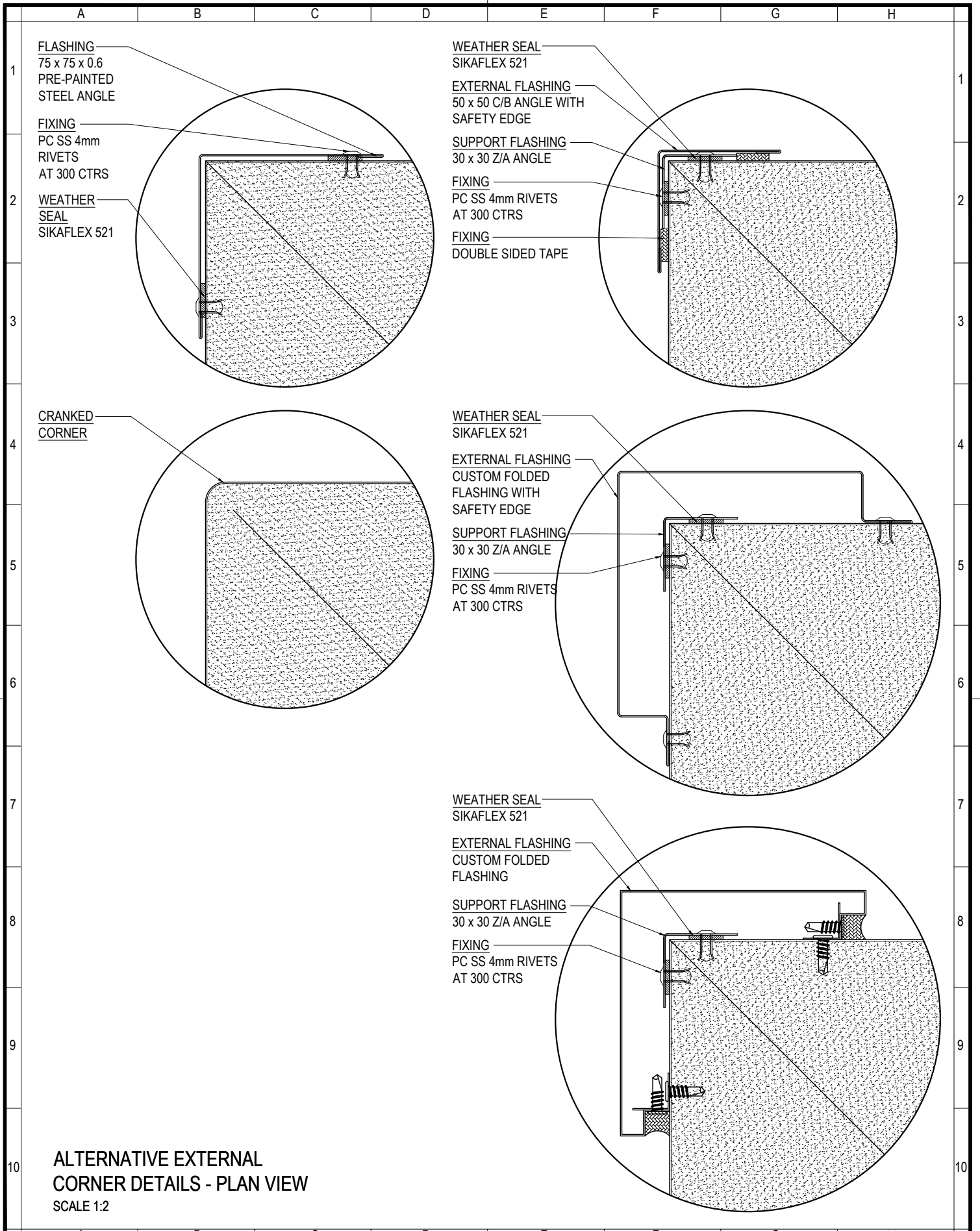
Revision

-

Drawing No.

AVS - 110





**ALTERNATIVE EXTERNAL  
CORNER DETAILS - PLAN VIEW**  
SCALE 1:2



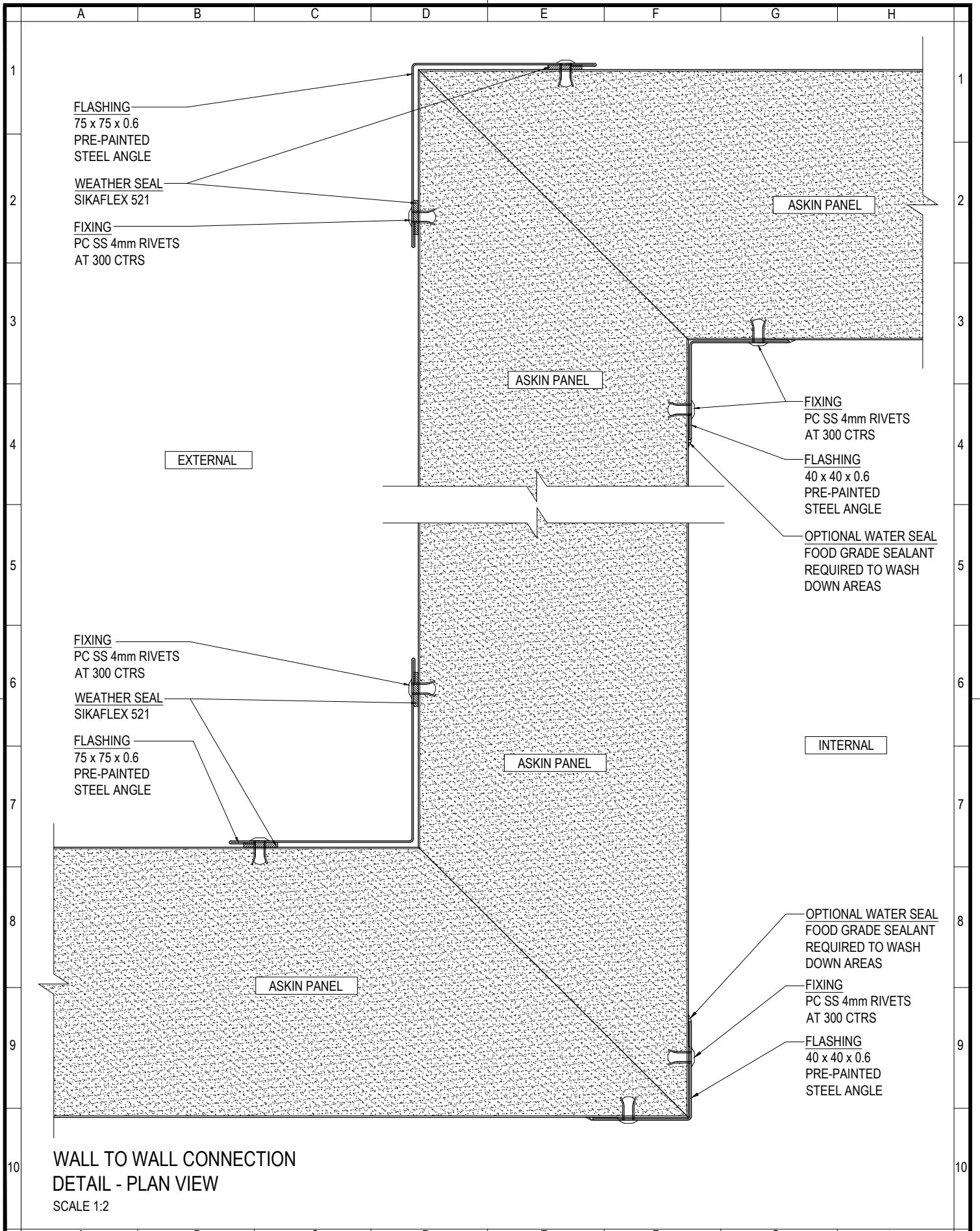
www.askin.net.au  
VIC P : 03 8769 4816 WA P : 08 9249 4022  
SA P : 08 8252 7188 QLD P : 07 3718 9500  
NSW P : 02 8825 2598 NT P : 08 8252 7188

PROJECT:  
**VIVID SERIES**  
STANDARD VERTICAL  
WALL TO WALL  
CONNECTION DETAILS

© ASKIN 2020

Revision	Checked By	Scale
-	A SHANNON	1:2
-	R VORWERK	Sheet size
-	Issue date	Revision
-	13.02.2020	-
-	Drawing No.	-

Checked By	Scale
A SHANNON	1:2
Drawn By	Sheet size
R VORWERK	A4
Issue date	Revision
13.02.2020	-
Drawing No.	-
<b>AVS - 111</b>	



www.askin.net.au  
 VIC P: 03 8769 4816 WA P: 08 9249 4022  
 SA P: 08 8252 7188 QLD P: 07 3718 9500  
 NSW P: 02 8825 2598 NT P: 08 8252 7188

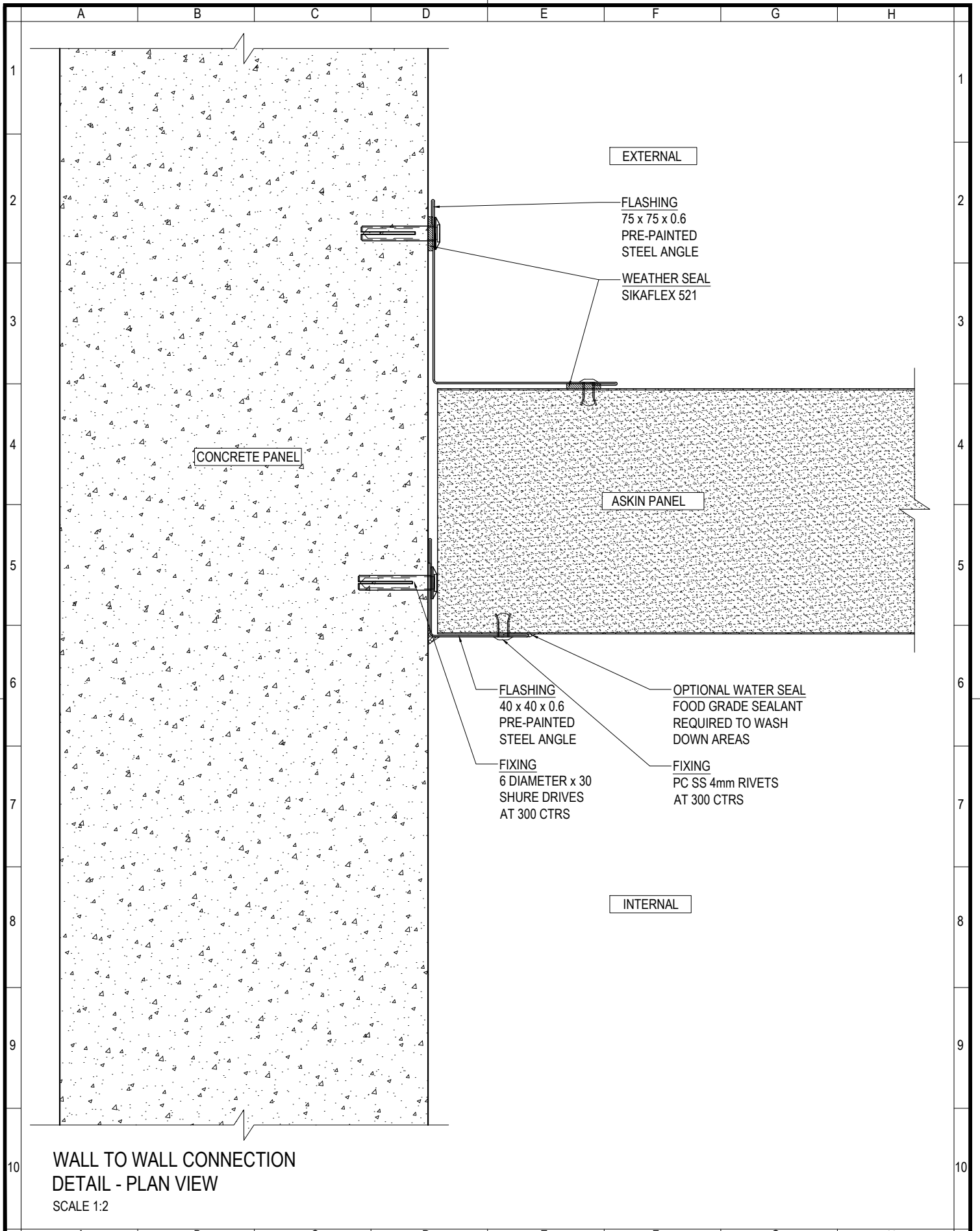
PROJECT:  
**VIVID SERIES**  
 STANDARD VERTICAL  
 WALL TO WALL  
 CONNECTION DETAILS

© ASKIN 2020

Revision	By	Date
-	-	-
-	-	-
-	-	-
-	-	-
-	-	-
-	-	-
-	-	-
-	-	-
-	-	-

Checked By A SHANNON	Scale 1:2
Drawn By R VORWERK	Sheet size A4
Issue date 13.02.2020	Revision -
Drawing No. AVS - 112	





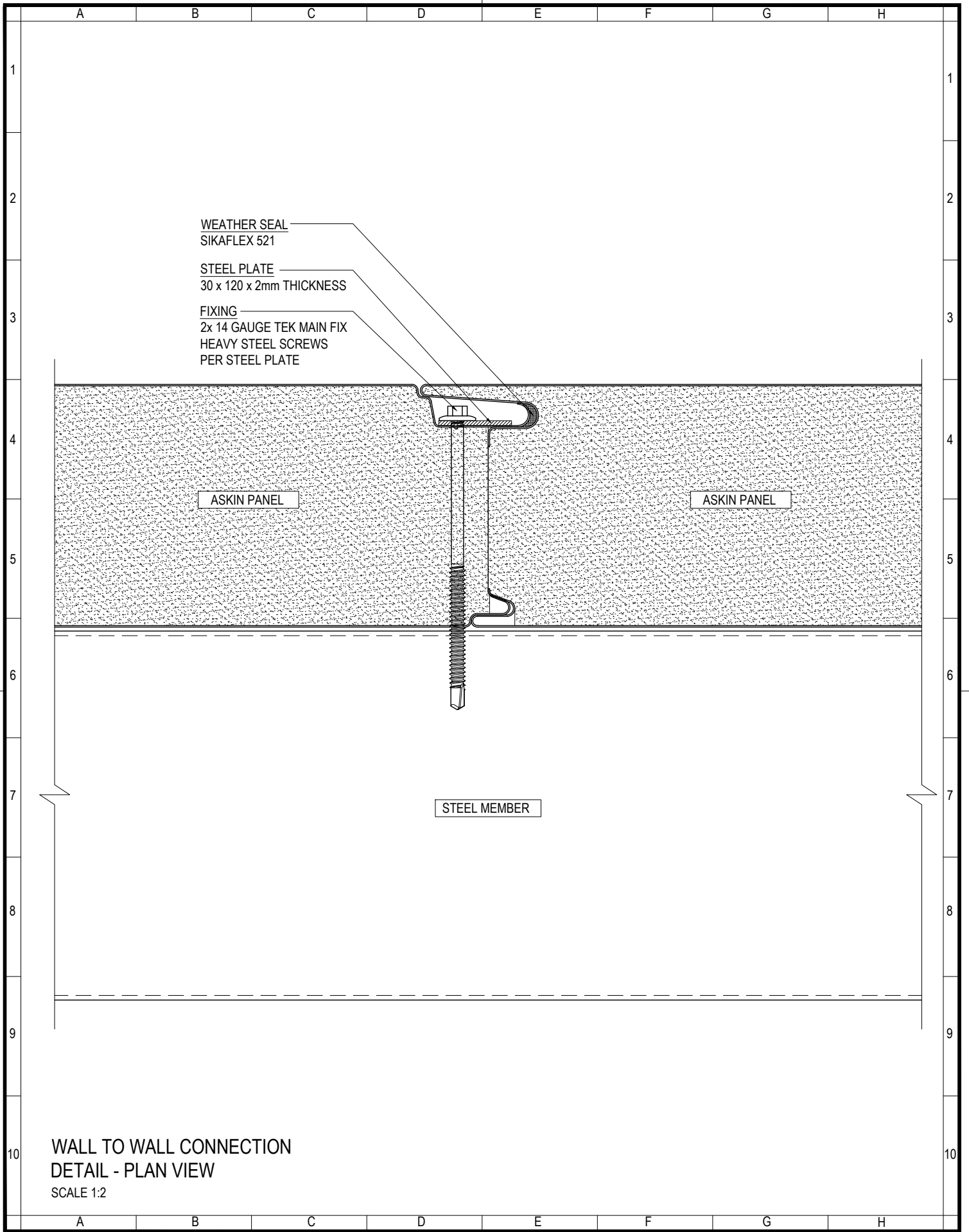
www.askin.net.au  
 VIC P: 03 8769 4816 WA P: 08 9249 4022  
 SA P: 08 8252 7188 QLD P: 07 3718 9500  
 NSW P: 02 8825 2598 NT P: 08 8252 7188

PROJECT:  
**VIVID SERIES**  
 STANDARD VERTICAL  
 WALL TO WALL  
 CONNECTION DETAILS

© ASKIN 2020

Revision		
-	-	-
-	-	-
-	-	-
-	-	-
-	-	-
-	-	-
-	-	-
-	-	-
-	-	-

Checked By <b>A SHANNON</b>	Scale 1:2
Drawn By <b>R VORWERK</b>	Sheet size A4
Issue date 13.02.2020	Revision -
Drawing No. <b>AVS - 113</b>	



WALL TO WALL CONNECTION  
 DETAIL - PLAN VIEW  
 SCALE 1:2

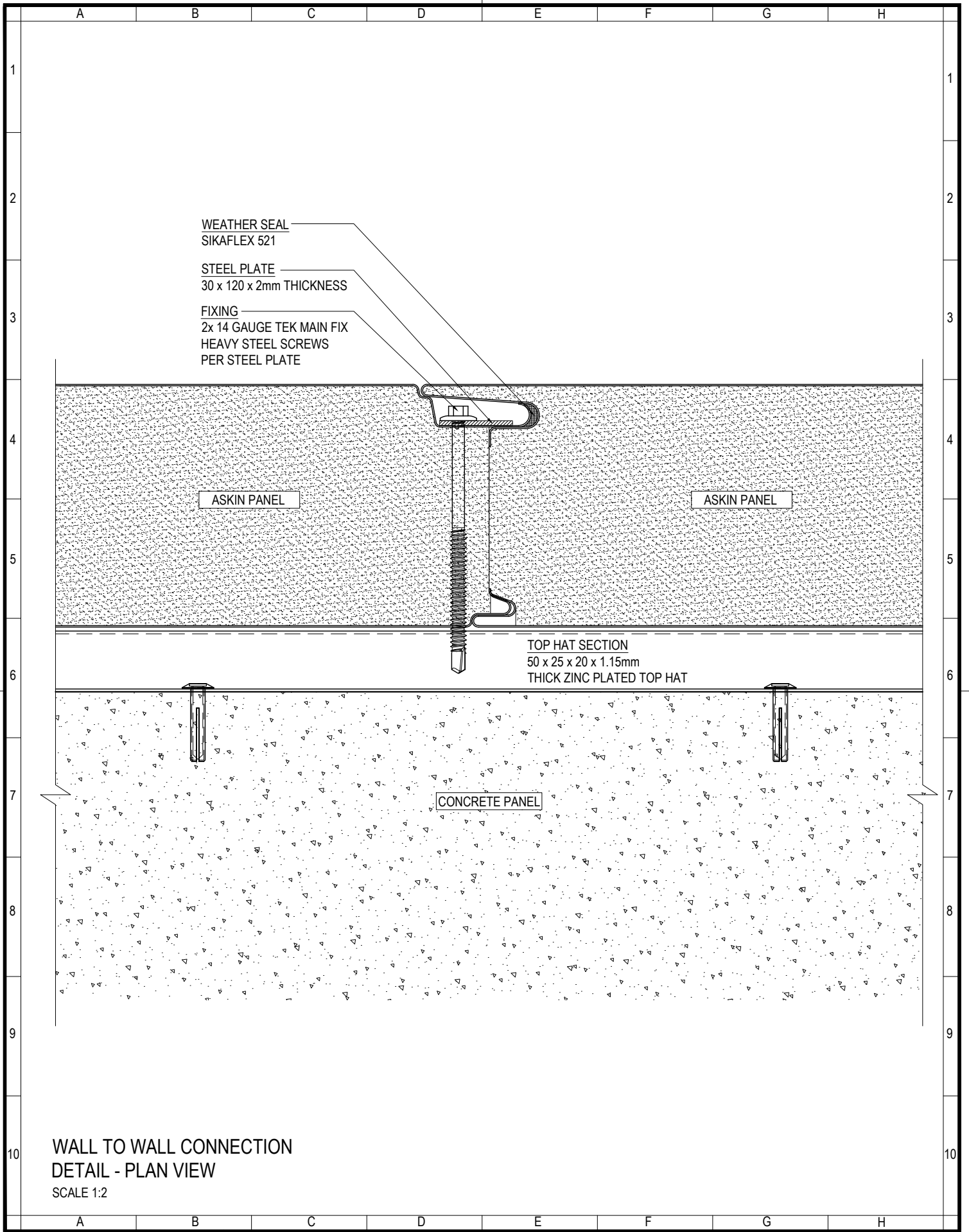


www.askin.net.au  
 VIC P : 03 8769 4816 WA P : 08 9249 4022  
 SA P : 08 8252 7188 QLD P : 07 3718 9500  
 NSW P : 02 8825 2598 NT P : 08 8252 7188

PROJECT:  
**VIVID SERIES**  
 STANDARD VERTICAL  
 WALL TO WALL  
 CONNECTION DETAILS  
 © ASKIN 2020

Revision		
-	-	-
-	-	-
-	-	-
-	-	-
-	-	-
-	-	-
-	-	-
-	-	-
-	-	-

Checked By <b>A SHANNON</b>	Scale 1:2
Drawn By <b>R VORWERK</b>	Sheet size A4
Issue date 13.02.2020	Revision -
Drawing No. <b>AVS - 114</b>	



WALL TO WALL CONNECTION  
 DETAIL - PLAN VIEW  
 SCALE 1:2

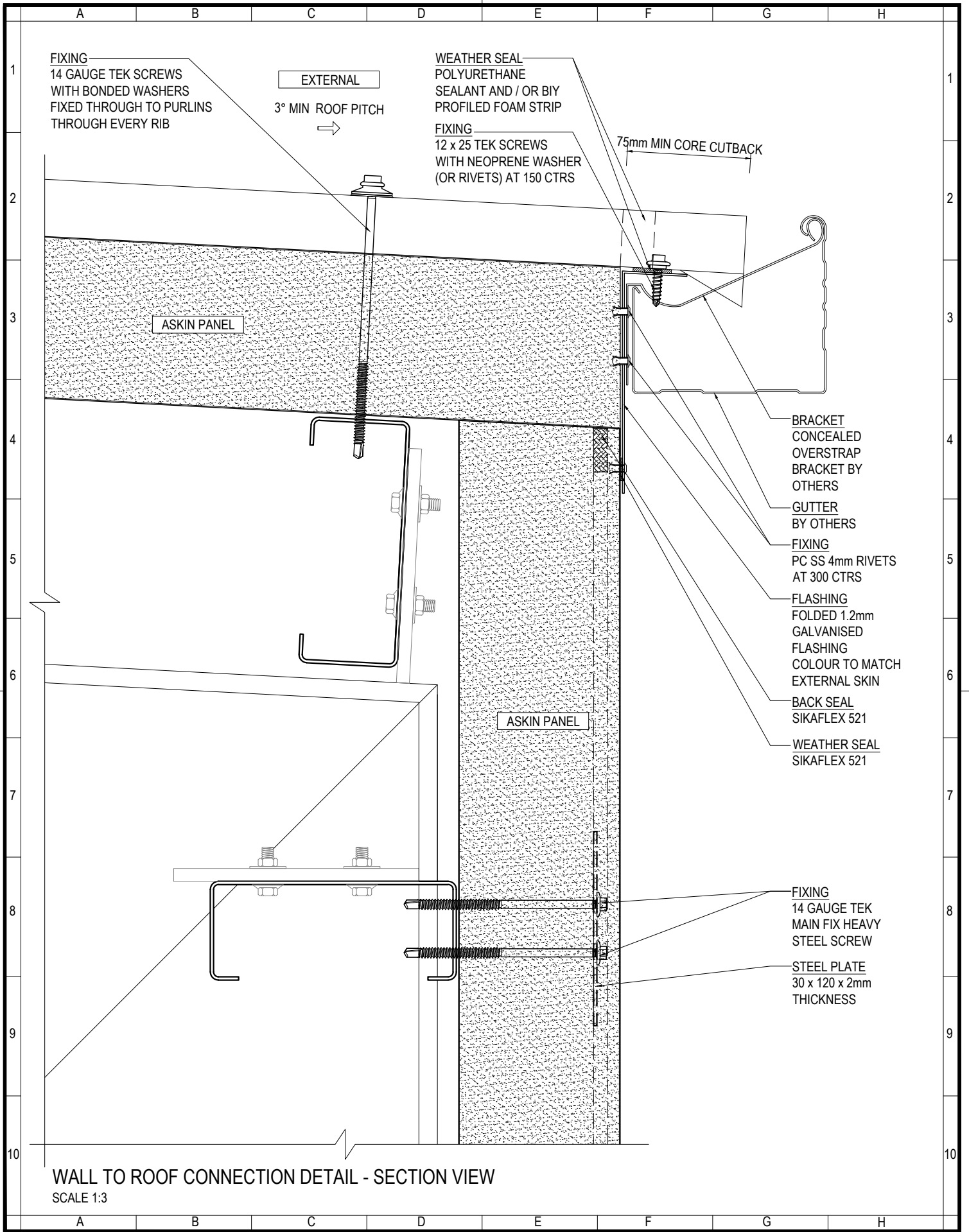


www.askin.net.au  
 VIC P : 03 8769 4816 WA P : 08 9249 4022  
 SA P : 08 8252 7188 QLD P : 07 3718 9500  
 NSW P : 02 8825 2598 NT P : 08 8252 7188

PROJECT:  
**VIVID SERIES**  
 STANDARD VERTICAL  
 WALL TO WALL  
 CONNECTION DETAILS  
 © ASKIN 2020

Revision		
-	-	-
-	-	-
-	-	-
-	-	-
-	-	-
-	-	-
-	-	-
-	-	-
-	-	-

Checked By <b>A SHANNON</b>	Scale 1:2
Drawn By <b>R VORWERK</b>	Sheet size A4
Issue date 13.02.2020	Revision -
Drawing No. <b>AVS - 115</b>	



WALL TO ROOF CONNECTION DETAIL - SECTION VIEW  
SCALE 1:3



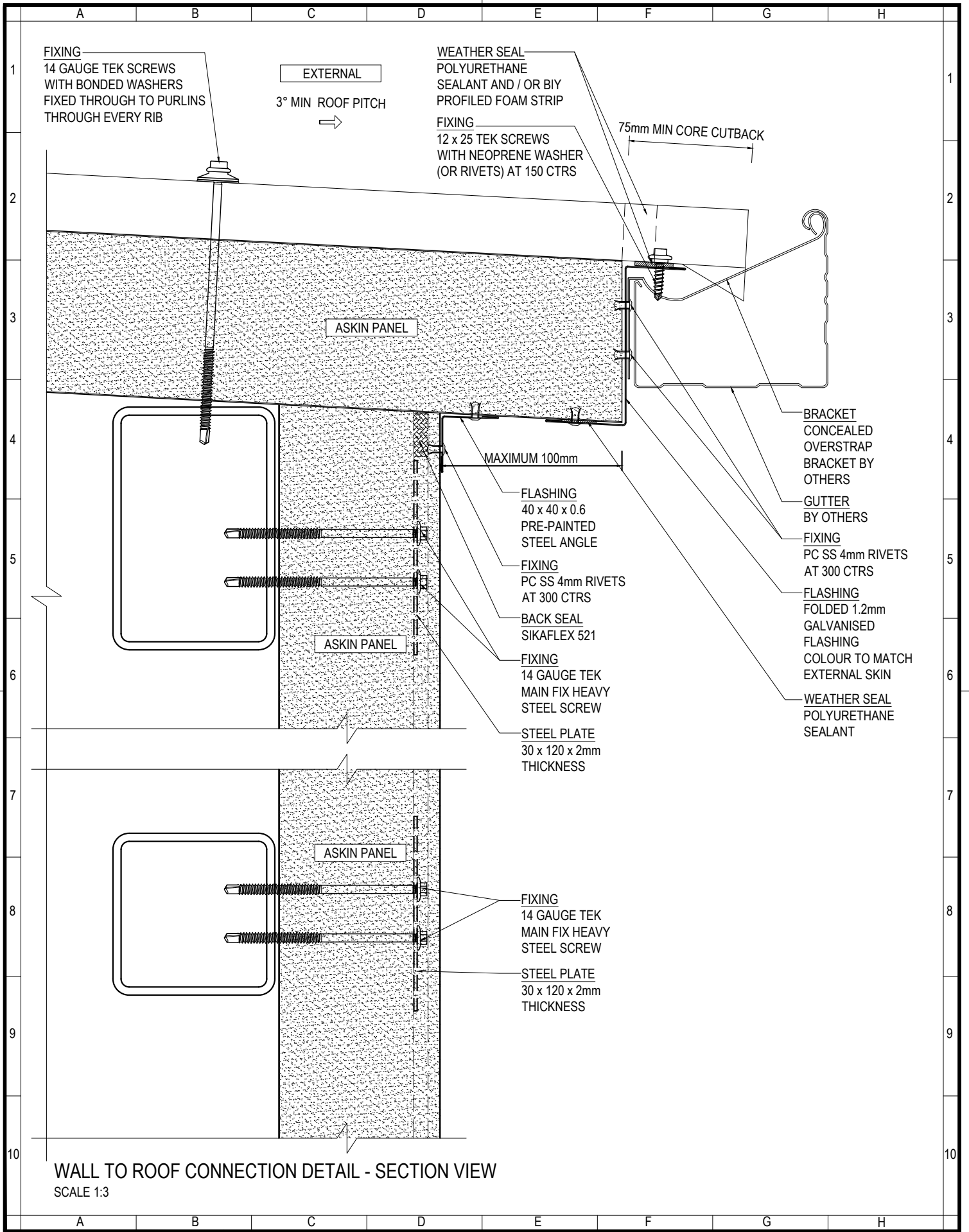
www.askin.net.au  
 VIC P : 03 8769 4816 WA P : 08 9249 4022  
 SA P : 08 8252 7188 QLD P : 07 3718 9500  
 NSW P : 02 8825 2598 NT P : 08 8252 7188

PROJECT:  
**VIVID SERIES**  
 STANDARD VERTICAL  
 ROOFING AND PARAPET  
 CONNECTION DETAILS  
 © ASKIN 2020

Revision		
-	-	-
-	-	-
-	-	-
-	-	-
-	-	-
-	-	-
-	-	-
-	-	-
-	-	-
-	-	-

Checked By A SHANNON	Scale 1:3
Drawn By R VORWERK	Sheet size A4
Issue date 13.02.2020	Revision -
Drawing No. <b>AVS - 120</b>	





WALL TO ROOF CONNECTION DETAIL - SECTION VIEW  
SCALE 1:3

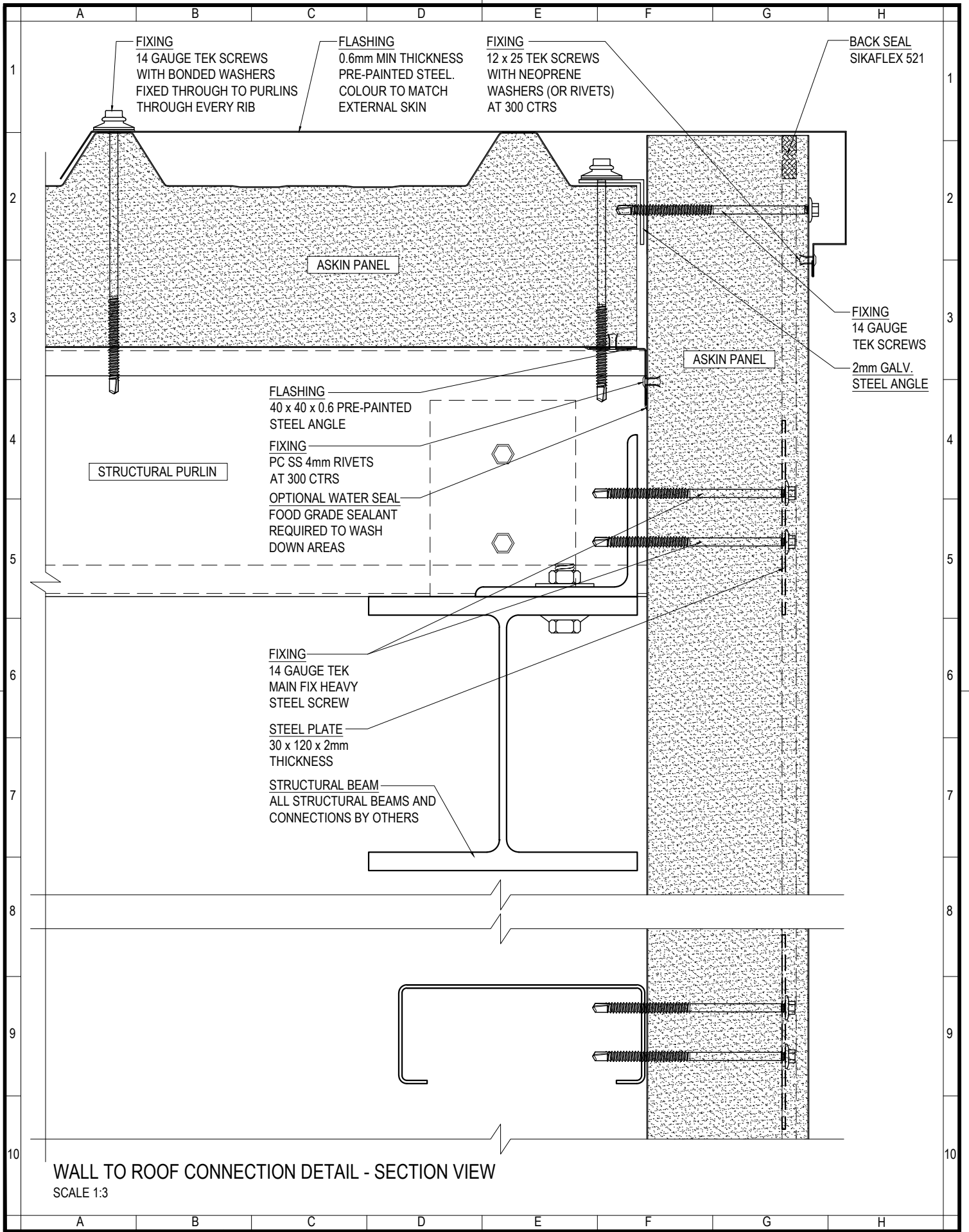


www.askin.net.au  
VIC P : 03 8769 4816 WA P : 08 9249 4022  
SA P : 08 8252 7188 QLD P : 07 3718 9500  
NSW P : 02 8825 2598 NT P : 08 8252 7188

PROJECT:  
**VIVID SERIES**  
STANDARD VERTICAL  
ROOFING AND PARAPET  
CONNECTION DETAILS  
© ASKIN 2020

Revision		
-	-	-
-	-	-
-	-	-
-	-	-
-	-	-
-	-	-
-	-	-
-	-	-
-	-	-

Checked By A SHANNON	Scale 1:3
Drawn By R VORWERK	Sheet size A4
Issue date 13.02.2020	Revision -
Drawing No. AVS - 121	



WALL TO ROOF CONNECTION DETAIL - SECTION VIEW  
SCALE 1:3

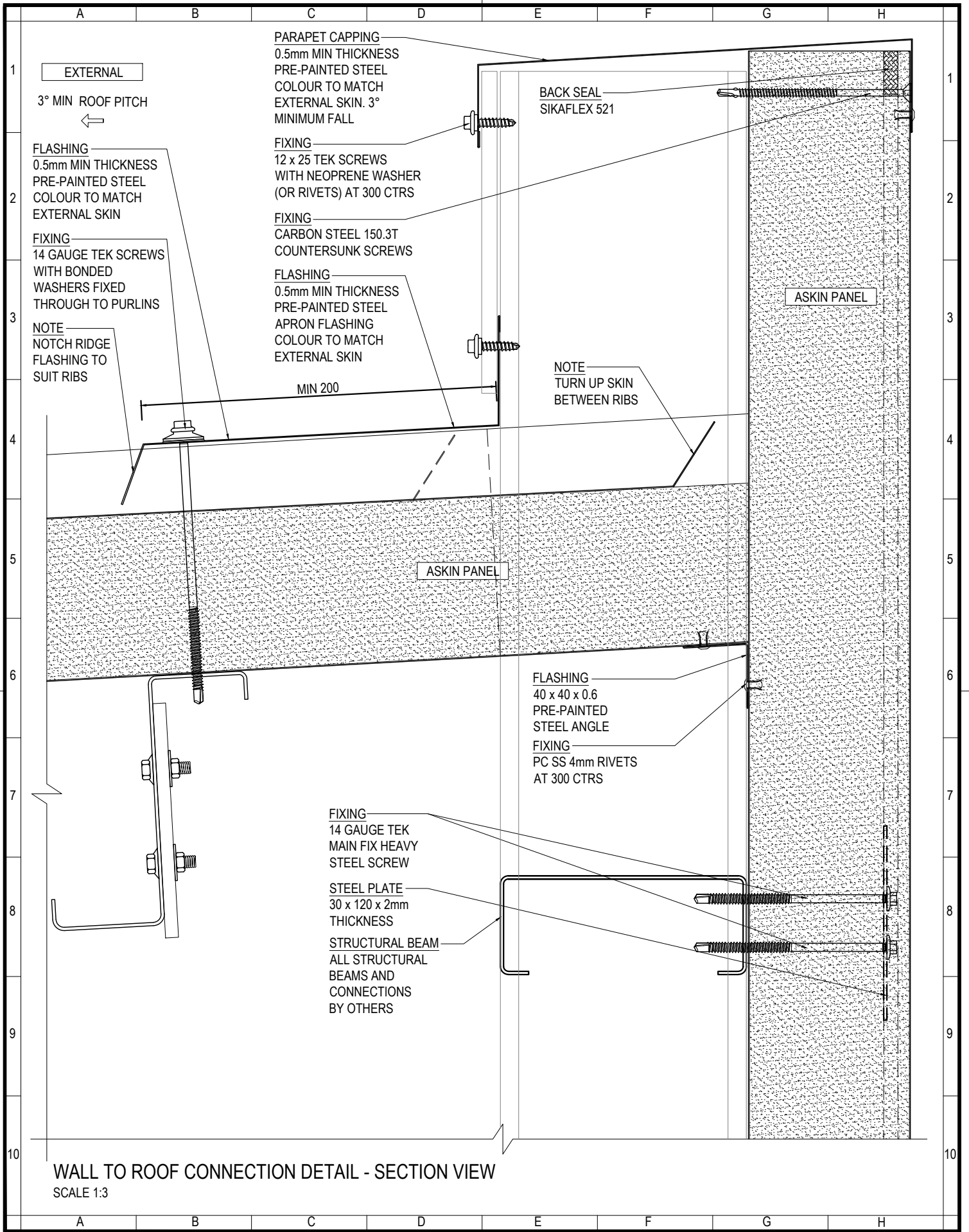


www.askin.net.au  
 VIC P : 03 8769 4816 WA P : 08 9249 4022  
 SA P : 08 8252 7188 QLD P : 07 3718 9500  
 NSW P : 02 8825 2598 NT P : 08 8252 7188

PROJECT:  
**VIVID SERIES**  
 STANDARD VERTICAL  
 ROOFING AND PARAPET  
 CONNECTION DETAILS  
 ©ASKIN 2020

Revision		
-	-	-
-	-	-
-	-	-
-	-	-
-	-	-
-	-	-
-	-	-
-	-	-
-	-	-

Checked By <b>A SHANNON</b>	Scale 1:3
Drawn By <b>R VORWERK</b>	Sheet size A4
Issue date 13.02.2020	Revision -
Drawing No. <b>AVS - 122</b>	



www.askin.net.au  
 VIC P: 03 8769 4816 WA P: 08 9249 4022  
 SA P: 08 8252 7188 QLD P: 07 3718 9500  
 NSW P: 02 8825 2598 NT P: 08 8252 7188

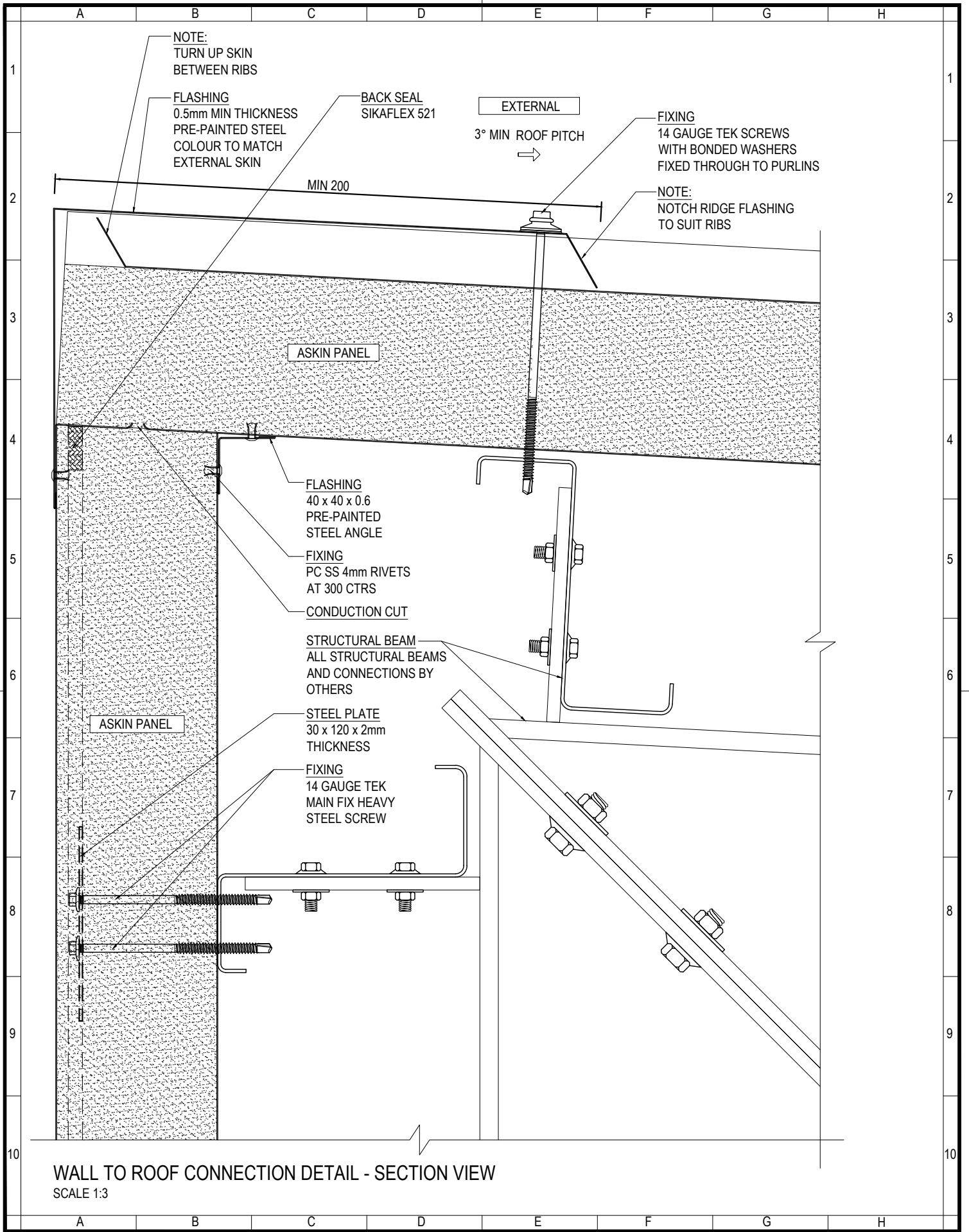
PROJECT:  
**VIVID SERIES**  
 STANDARD VERTICAL  
 ROOFING AND PARAPET  
 CONNECTION DETAILS

© ASKIN 2020

Revision		
-	-	-
-	-	-
-	-	-
-	-	-
-	-	-
-	-	-
-	-	-
-	-	-
-	-	-

Checked By <b>A SHANNON</b>	Scale 1:3
Drawn By <b>R VORWERK</b>	Sheet size A4
Issue date 13.02.2020	Revision -
Drawing No. <b>AVS - 123</b>	





WALL TO ROOF CONNECTION DETAIL - SECTION VIEW  
SCALE 1:3



www.askin.net.au  
 VIC P: 03 8769 4816 WA P: 08 9249 4022  
 SA P: 08 8252 7188 QLD P: 07 3718 9500  
 NSW P: 02 8825 2598 NT P: 08 8252 7188

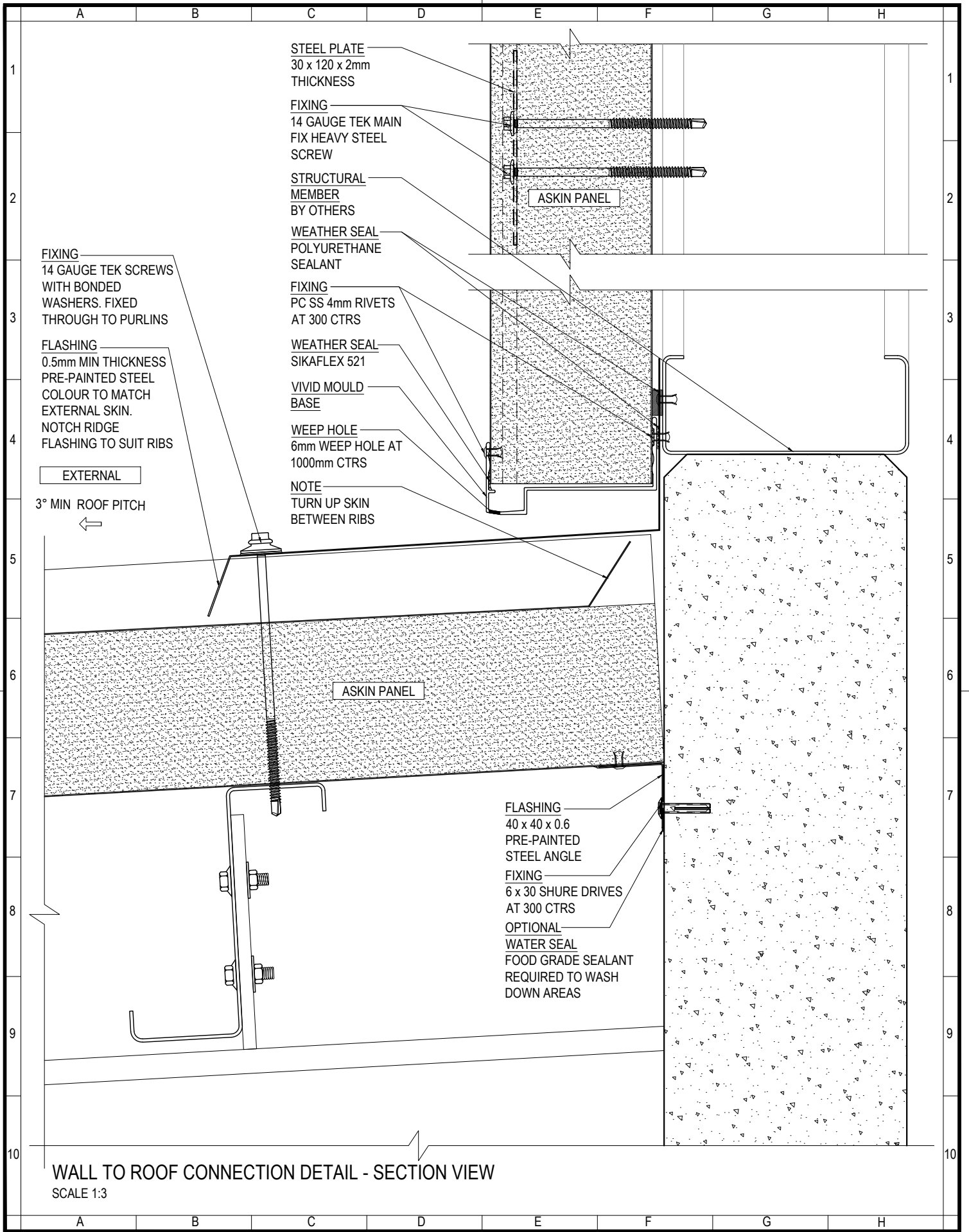
PROJECT:  
**VIVID SERIES**  
 STANDARD VERTICAL  
 ROOFING AND PARAPET  
 CONNECTION DETAILS

©ASKIN 2020

Revision		
-	-	-
-	-	-
-	-	-
-	-	-
-	-	-
-	-	-
-	-	-
-	-	-
-	-	-
-	-	-

Checked By <b>A SHANNON</b>	Scale 1:3
Drawn By <b>R VORWERK</b>	Sheet size A4
Issue date 13.02.2020	Revision -
Drawing No. <b>AVS - 124</b>	





www.askin.net.au  
VIC P : 03 8769 4816 WA P : 08 9249 4022  
SA P : 08 8252 7188 QLD P : 07 3718 9500  
NSW P : 02 8825 2598 NT P : 08 8252 7188

PROJECT:

**VIVID SERIES**  
STANDARD VERTICAL  
ROOFING AND PARAPET  
CONNECTION DETAILS

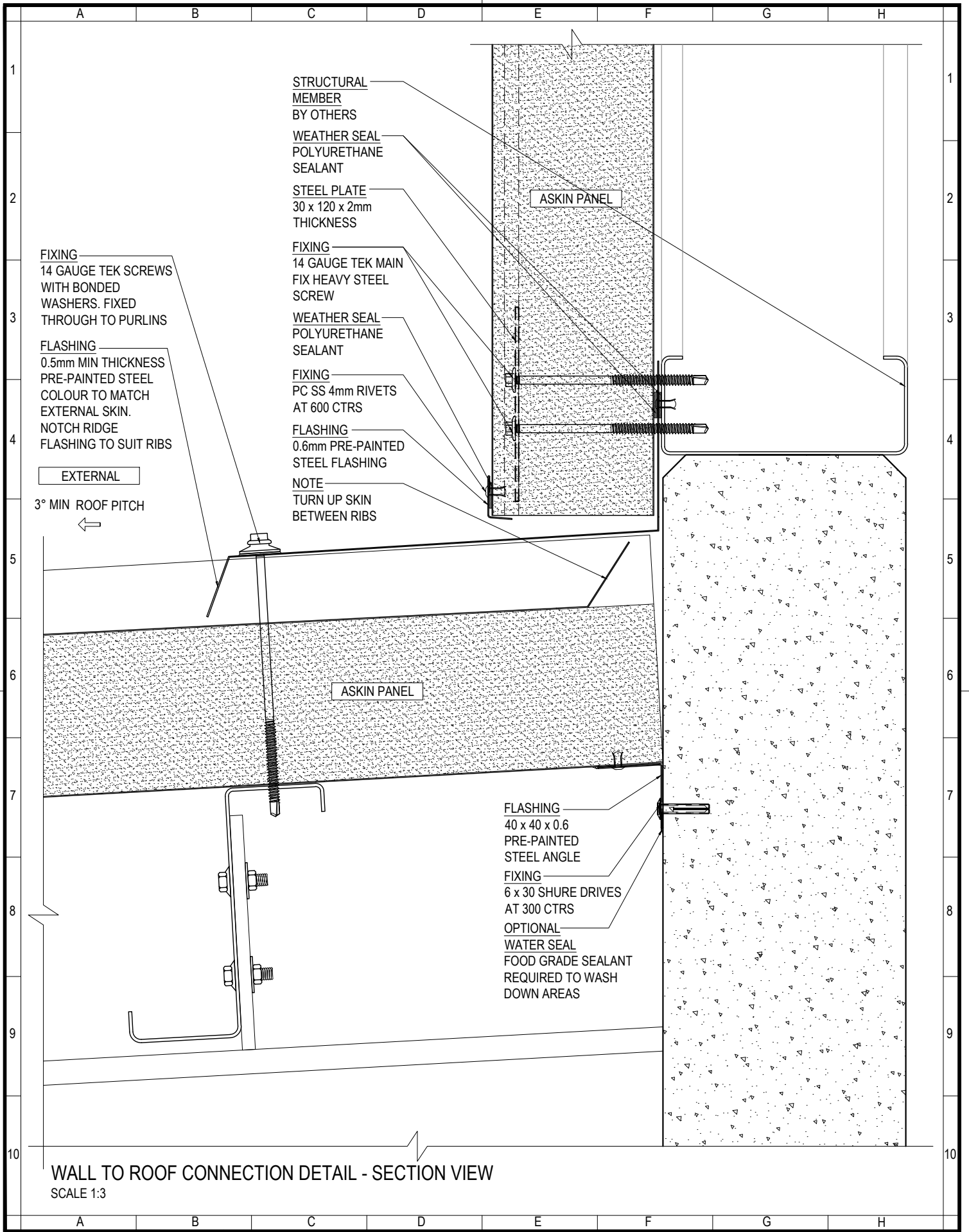
©ASKIN 2020

Revision

-	-	-
-	-	-
-	-	-
-	-	-
-	-	-
-	-	-
-	-	-
-	-	-
-	-	-
-	-	-

Checked By	Scale
A SHANNON	1:3
Drawn By	Sheet size
R VORWERK	A4
Issue date	Revision
13.02.2020	-
Drawing No.	

AVS - 125



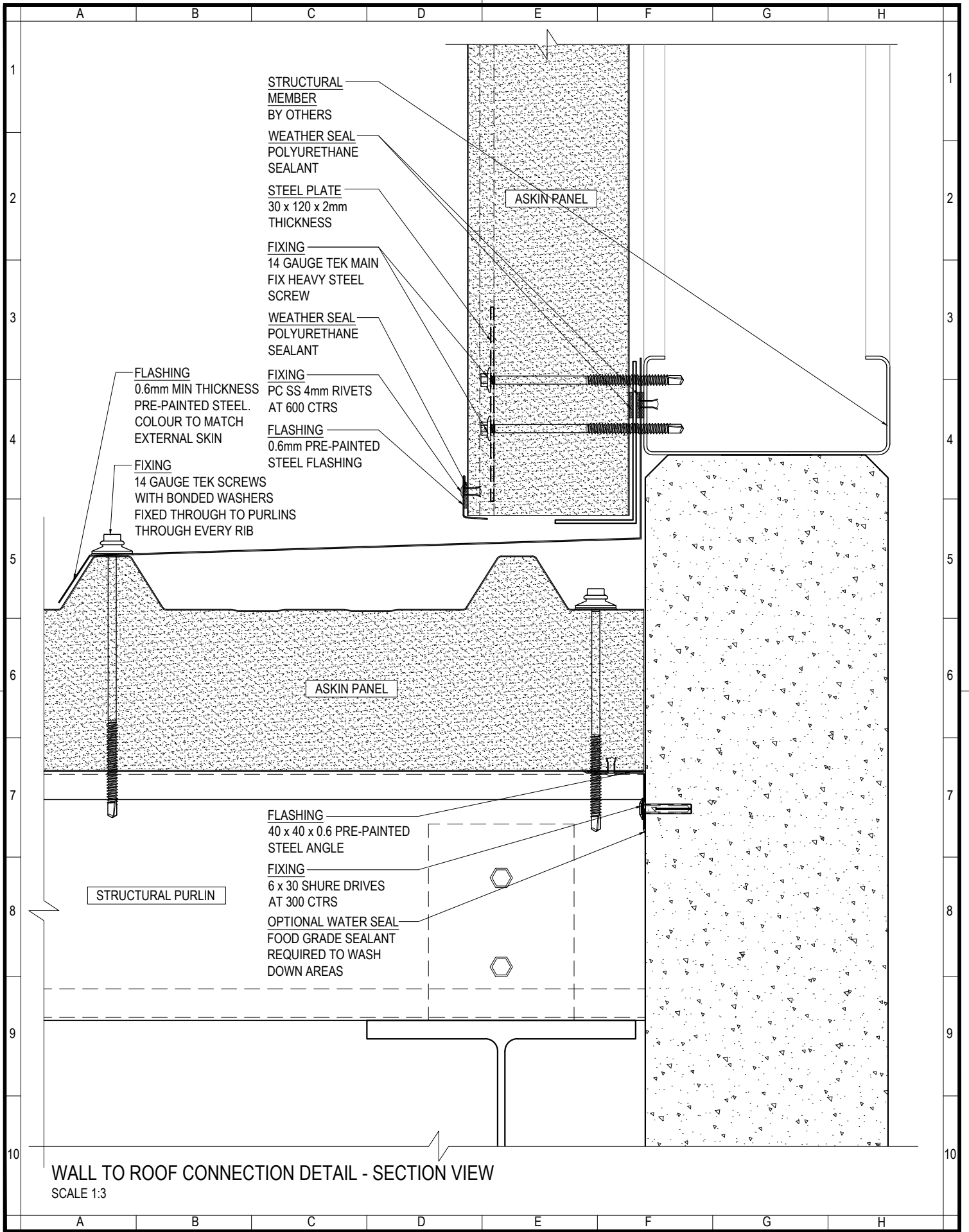
www.askin.net.au  
 VIC P: 03 8769 4816 WA P: 08 9249 4022  
 SA P: 08 8252 7188 QLD P: 07 3718 9500  
 NSW P: 02 8825 2598 NT P: 08 8252 7188

PROJECT:  
**VIVID SERIES**  
 STANDARD VERTICAL  
 ROOFING AND PARAPET  
 CONNECTION DETAILS

©ASKIN 2020

Revision		
-	-	-
-	-	-
-	-	-
-	-	-
-	-	-
-	-	-
-	-	-
-	-	-
-	-	-

Checked By <b>A SHANNON</b>	Scale 1:3
Drawn By <b>R VORWERK</b>	Sheet size A4
Issue date 13.02.2020	Revision -
Drawing No. <b>AVS - 126</b>	



WALL TO ROOF CONNECTION DETAIL - SECTION VIEW  
SCALE 1:3



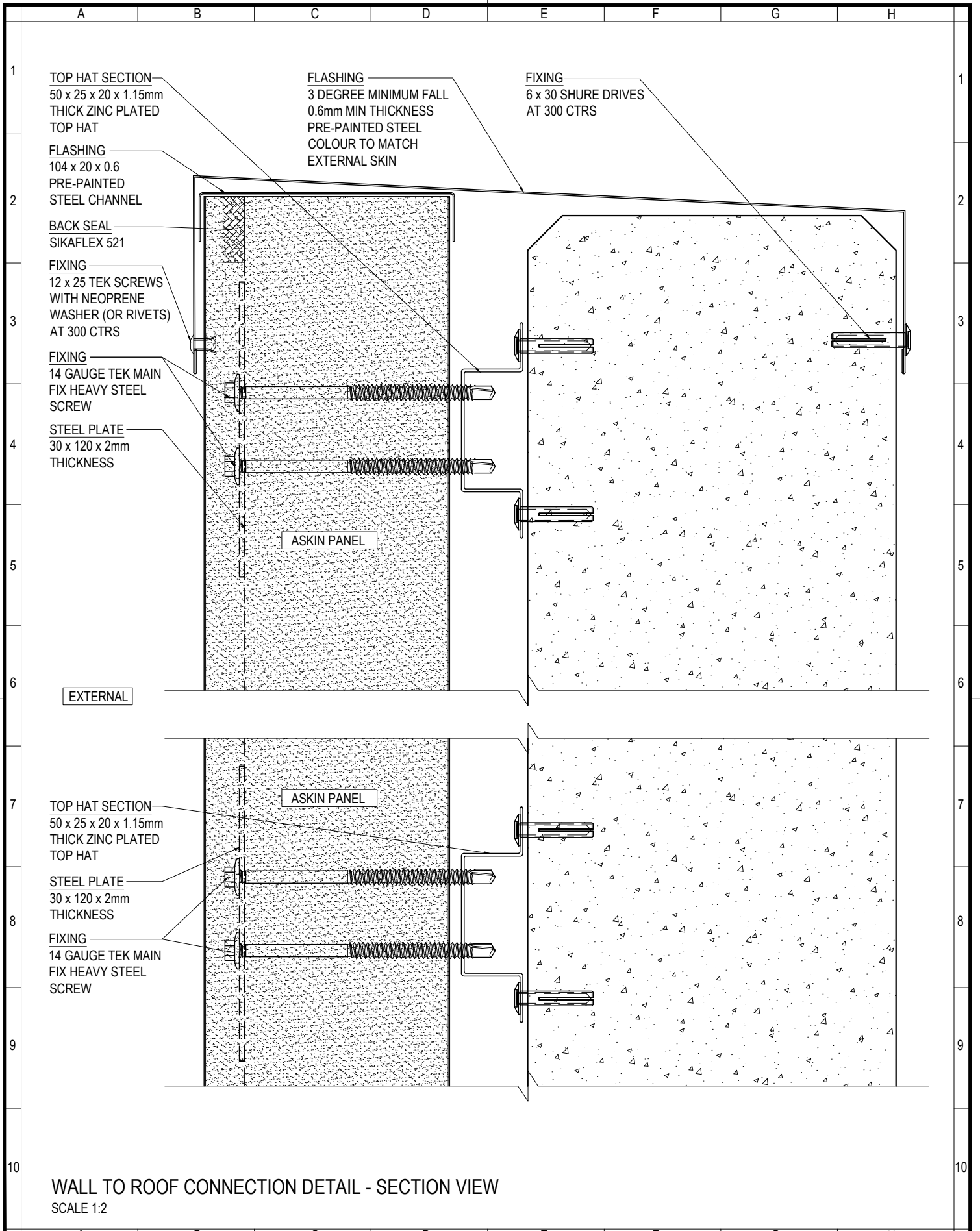
www.askin.net.au  
VIC P: 03 8769 4816 WA P: 08 9249 4022  
SA P: 08 8252 7188 QLD P: 07 3718 9500  
NSW P: 02 8825 2598 NT P: 08 8252 7188

PROJECT:  
**VIVID SERIES**  
STANDARD VERTICAL  
ROOFING AND PARAPET  
CONNECTION DETAILS

©ASKIN 2020

Revision		
-	-	-
-	-	-
-	-	-
-	-	-
-	-	-
-	-	-
-	-	-
-	-	-
-	-	-

Checked By <b>A SHANNON</b>	Scale 1:3
Drawn By <b>R VORWERK</b>	Sheet size A4
Issue date 13.02.2020	Revision -
Drawing No. <b>AVS - 127</b>	



www.askin.net.au  
 VIC P: 03 8769 4816 WA P: 08 9249 4022  
 SA P: 08 8252 7188 QLD P: 07 3718 9500  
 NSW P: 02 8825 2598 NT P: 08 8252 7188

PROJECT:

**VIVID SERIES**  
 STANDARD VERTICAL  
 ROOFING AND PARAPET  
 CONNECTION DETAILS

©ASKIN 2020

Revision

-	-	-
-	-	-
-	-	-
-	-	-
-	-	-
-	-	-
-	-	-
-	-	-
-	-	-
-	-	-

Checked By

A SHANNON

Scale

1:2

Drawn By

R VORWERK

Sheet size

A4

Issue date

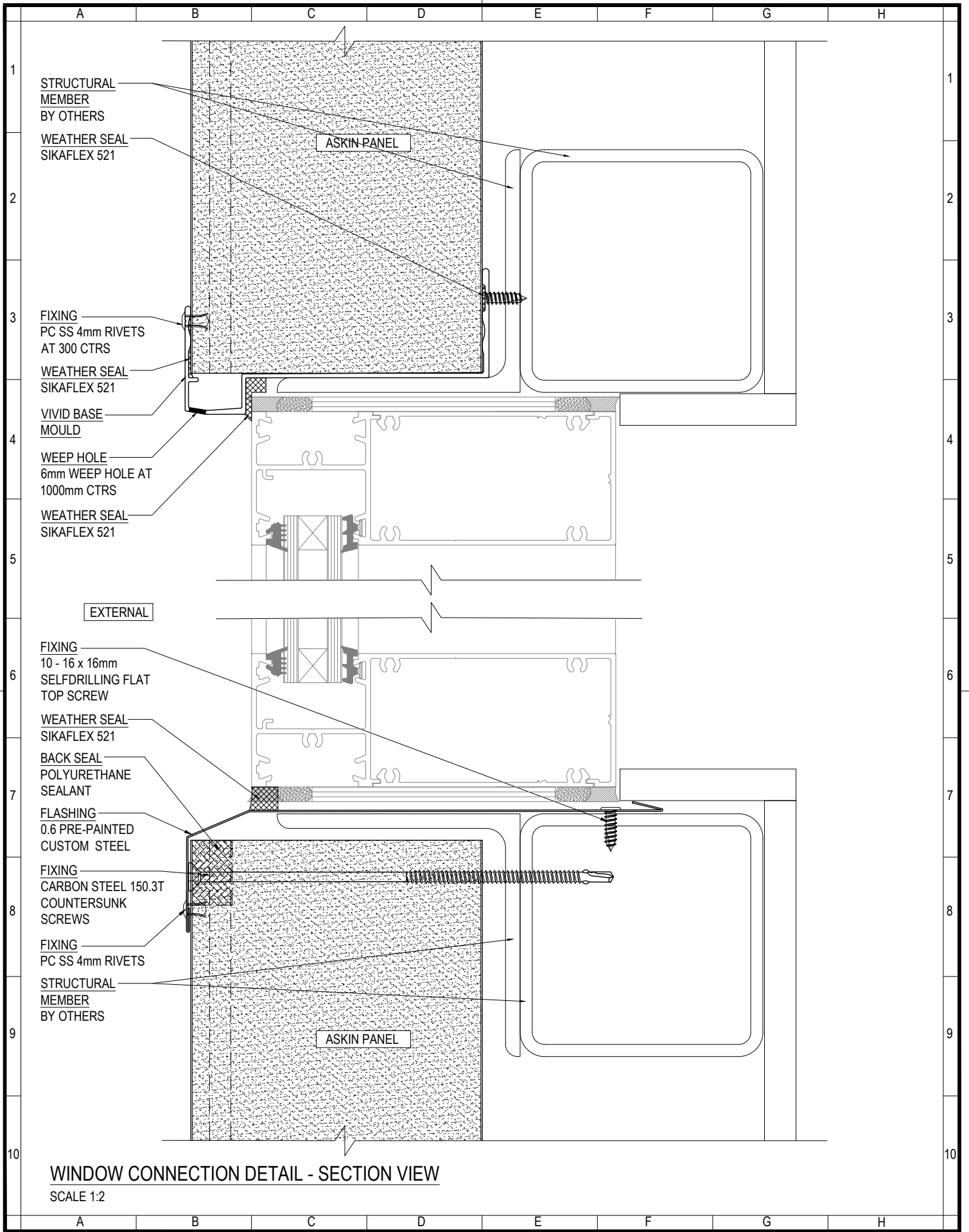
13.02.2020

Revision

Drawing No.

AVS - 128





**WINDOW CONNECTION DETAIL - SECTION VIEW**  
SCALE 1:2



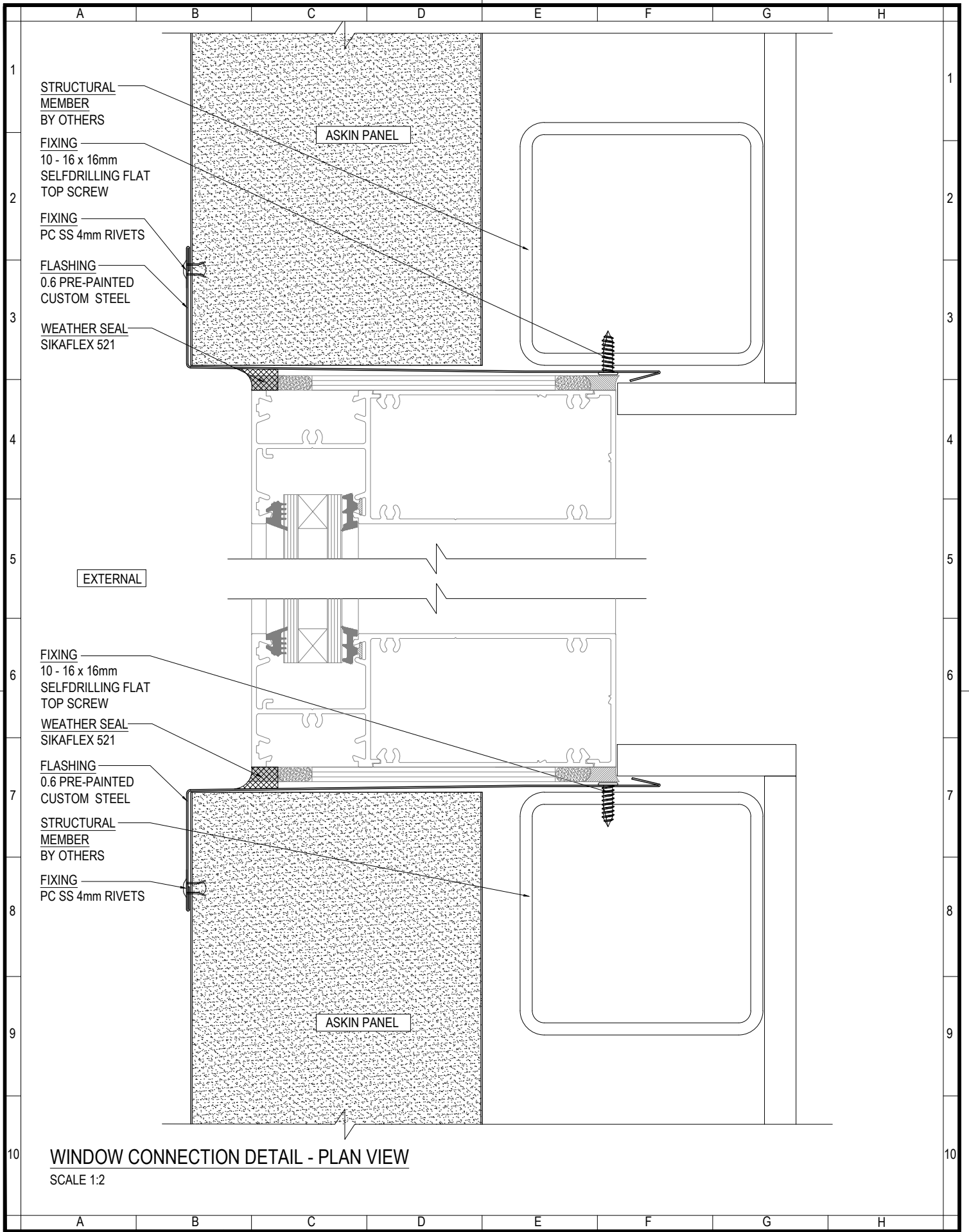
www.askin.net.au  
 VIC P: 03 8769 4816 WA P: 08 9249 4022  
 SA P: 08 8252 7188 QLD P: 07 3718 9500  
 NSW P: 02 8825 2598 NT P: 08 8252 7188

PROJECT:  
**VIVID SERIES**  
 STANDARD VERTICAL  
 WINDOW CONNECTION  
 DETAILS

©ASKIN 2020

Revision		
-	-	-
-	-	-
-	-	-
-	-	-
-	-	-
-	-	-
-	-	-
-	-	-

Checked By <b>A SHANNON</b>	Scale 1:2
Drawn By <b>R VORWERK</b>	Sheet size A4
Issue date 13.02.2020	Revision -
Drawing No. <b>AVS - 130</b>	



**WINDOW CONNECTION DETAIL - PLAN VIEW**  
SCALE 1:2



www.askin.net.au  
 VIC P: 03 8769 4816 WA P: 08 9249 4022  
 SA P: 08 8252 7188 QLD P: 07 3718 9500  
 NSW P: 02 8825 2598 NT P: 08 8252 7188

PROJECT:

**VIVID SERIES**  
 STANDARD VERTICAL  
 WINDOW CONNECTION  
 DETAILS

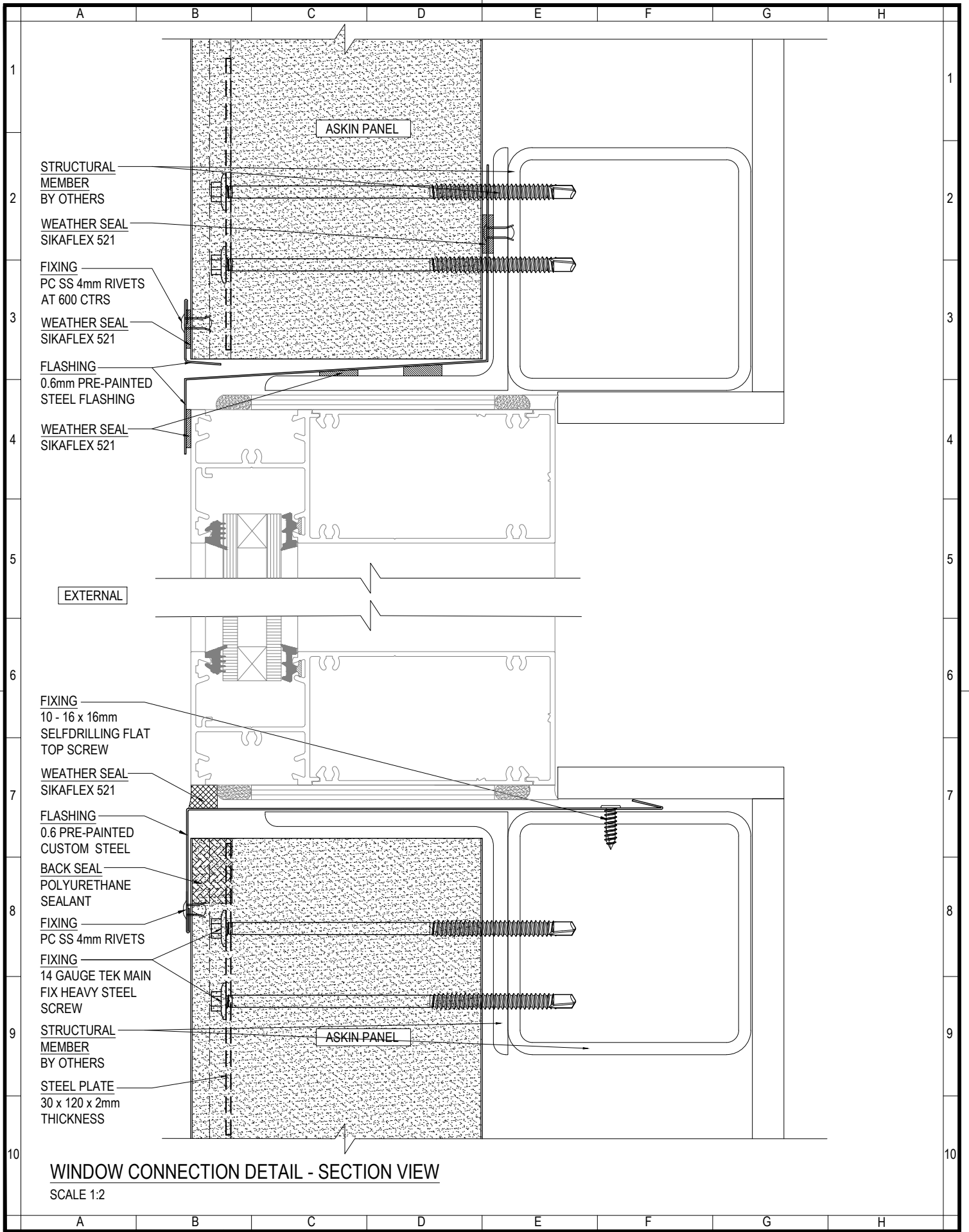
©ASKIN 2020

Revision

-	-	-
-	-	-
-	-	-
-	-	-
-	-	-
-	-	-
-	-	-
-	-	-

Checked By	Scale
A SHANNON	1:2
Drawn By	Sheet size
R VORWERK	A4
Issue date	Revision
13.02.2020	-
Drawing No.	

AVS - 131



**WINDOW CONNECTION DETAIL - SECTION VIEW**  
SCALE 1:2

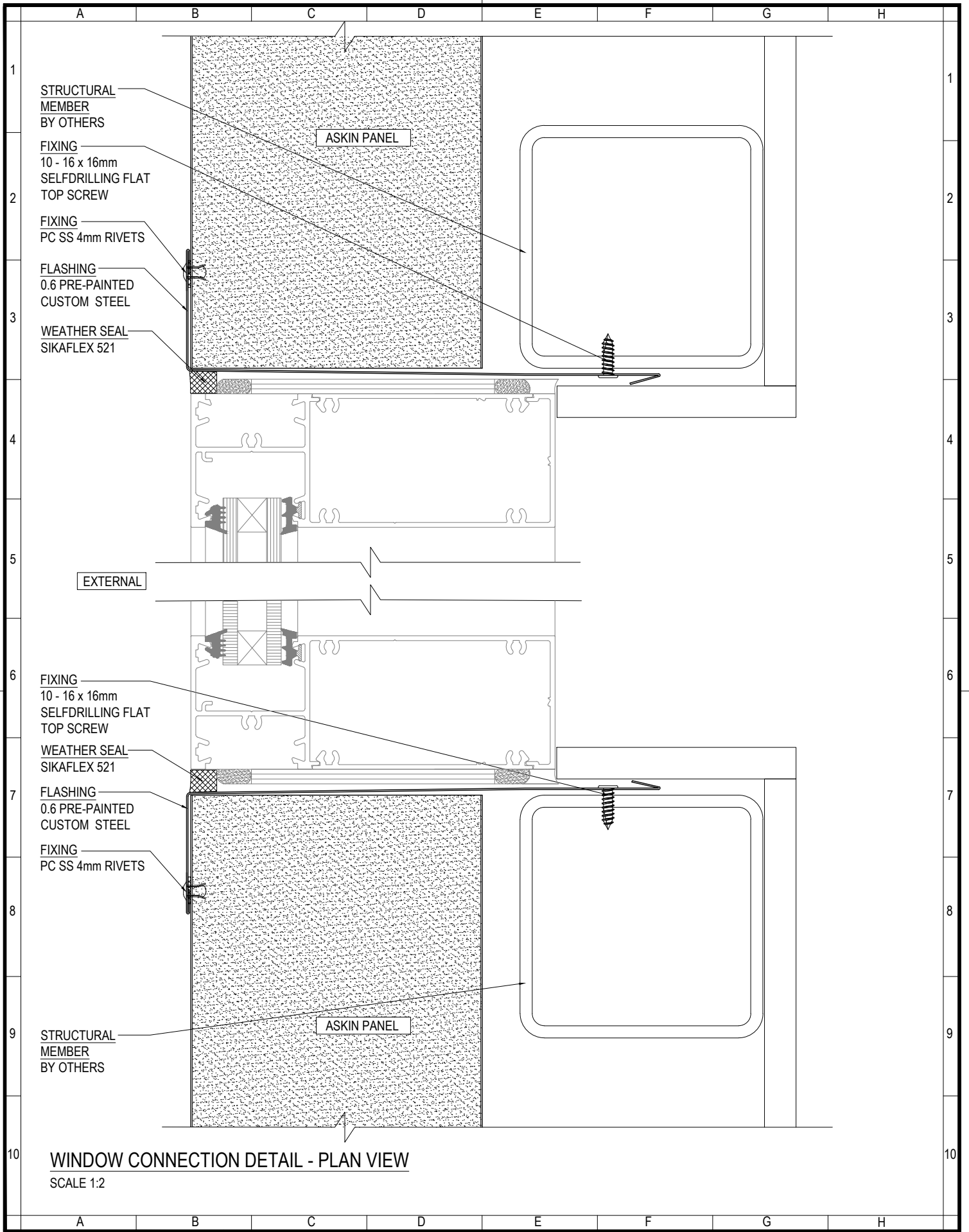


www.askin.net.au  
 VIC P : 03 8769 4816 WA P : 08 9249 4022  
 SA P : 08 8252 7188 QLD P : 07 3718 9500  
 NSW P : 02 8825 2598 NT P : 08 8252 7188

PROJECT:  
**VIVID SERIES**  
 STANDARD VERTICAL  
 WINDOW CONNECTION  
 DETAILS  
 ©ASKIN 2020

Revision		
-	-	-
-	-	-
-	-	-
-	-	-
-	-	-
-	-	-
-	-	-
-	-	-
-	-	-

Checked By <b>A SHANNON</b>	Scale 1:2
Drawn By <b>R VORWERK</b>	Sheet size A4
Issue date 13.02.2020	Revision -
Drawing No. <b>AVS - 132</b>	



**WINDOW CONNECTION DETAIL - PLAN VIEW**  
SCALE 1:2



www.askin.net.au  
 VIC P : 03 8769 4816 WA P : 08 9249 4022  
 SA P : 08 8252 7188 QLD P : 07 3718 9500  
 NSW P : 02 8825 2598 NT P : 08 8252 7188

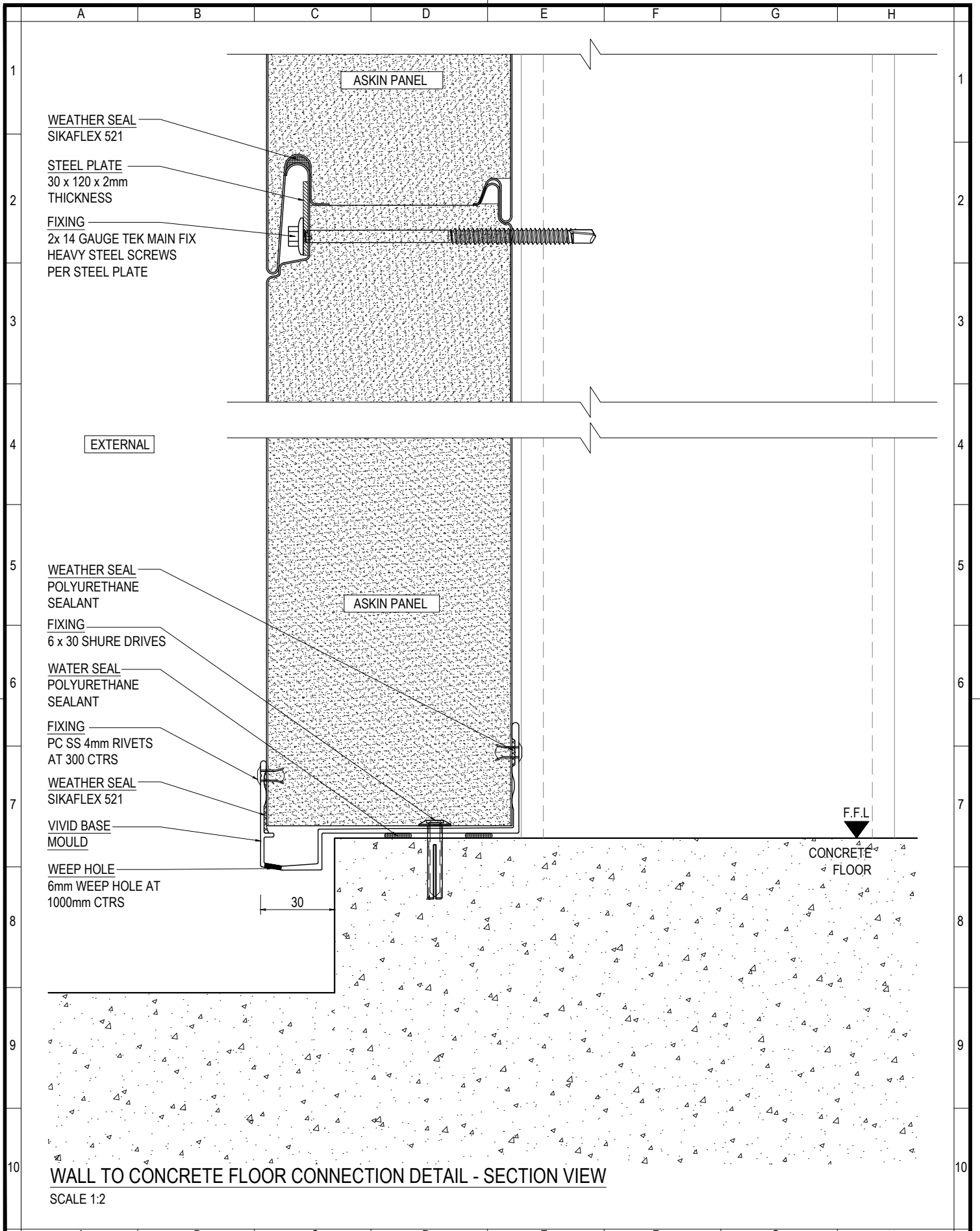
PROJECT:  
**VIVID SERIES**  
 STANDARD VERTICAL  
 WINDOW CONNECTION  
 DETAILS

©ASKIN 2020

Revision		
-	-	-
-	-	-
-	-	-
-	-	-
-	-	-
-	-	-
-	-	-
-	-	-
-	-	-

Checked By <b>A SHANNON</b>	Scale 1:2
Drawn By <b>R VORWERK</b>	Sheet size A4
Issue date 13.02.2020	Revision -
Drawing No. <b>AVS - 133</b>	





**WALL TO CONCRETE FLOOR CONNECTION DETAIL - SECTION VIEW**  
 SCALE 1:2

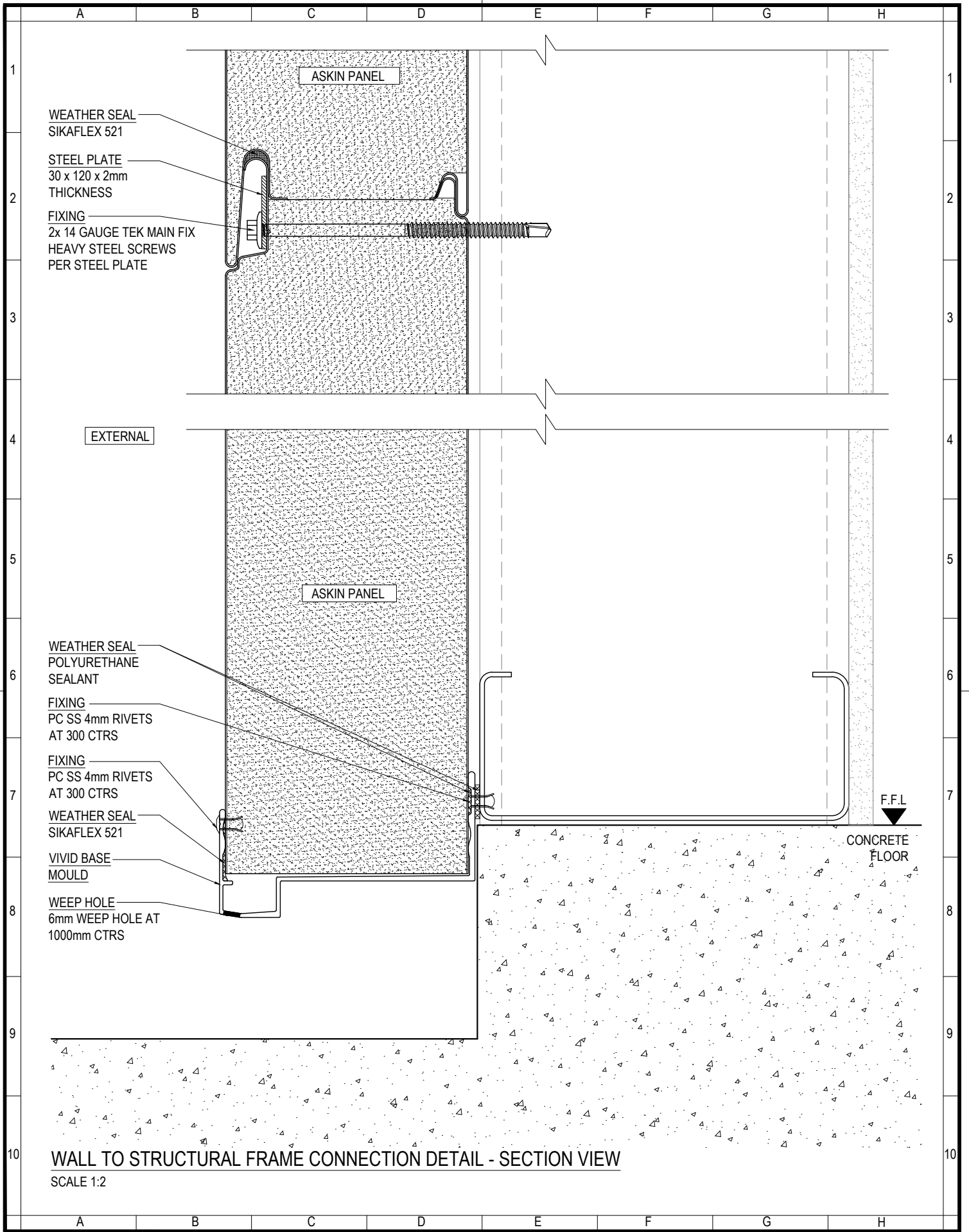


www.askin.net.au  
 VIC P : 03 8769 4816 WA P : 08 9249 4022  
 SA P : 08 8252 7188 QLD P : 07 3718 9500  
 NSW P : 02 8825 2598 NT P : 08 8252 7188

PROJECT:  
**VIVID SERIES**  
 STANDARD HORIZONTAL  
 WALL TO FLOOR  
 CONNECTION DETAIL  
 ©ASKIN 2020

Revision		
-	-	-
-	-	-
-	-	-
-	-	-
-	-	-
-	-	-
-	-	-
-	-	-
-	-	-

Checked By <b>A SHANNON</b>	Scale 1:2
Drawn By <b>R VORWERK</b>	Sheet size A4
Issue date 13.02.2020	Revision -
Drawing No. <b>AVS - 200</b>	



www.askin.net.au

VIC P : 03 8769 4816 WA P : 08 9249 4022  
SA P : 08 8252 7188 QLD P : 07 3718 9500  
NSW P : 02 8825 2598 NT P : 08 8252 7188

PROJECT:

**VIVID SERIES**  
STANDARD HORIZONTAL  
WALL TO FLOOR  
CONNECTION DETAIL

©ASKIN 2020

Revision

-	-	-
-	-	-
-	-	-
-	-	-
-	-	-
-	-	-
-	-	-
-	-	-

Checked By

A SHANNON

Scale

1:2

Drawn By

R VORWERK

Sheet size

A4

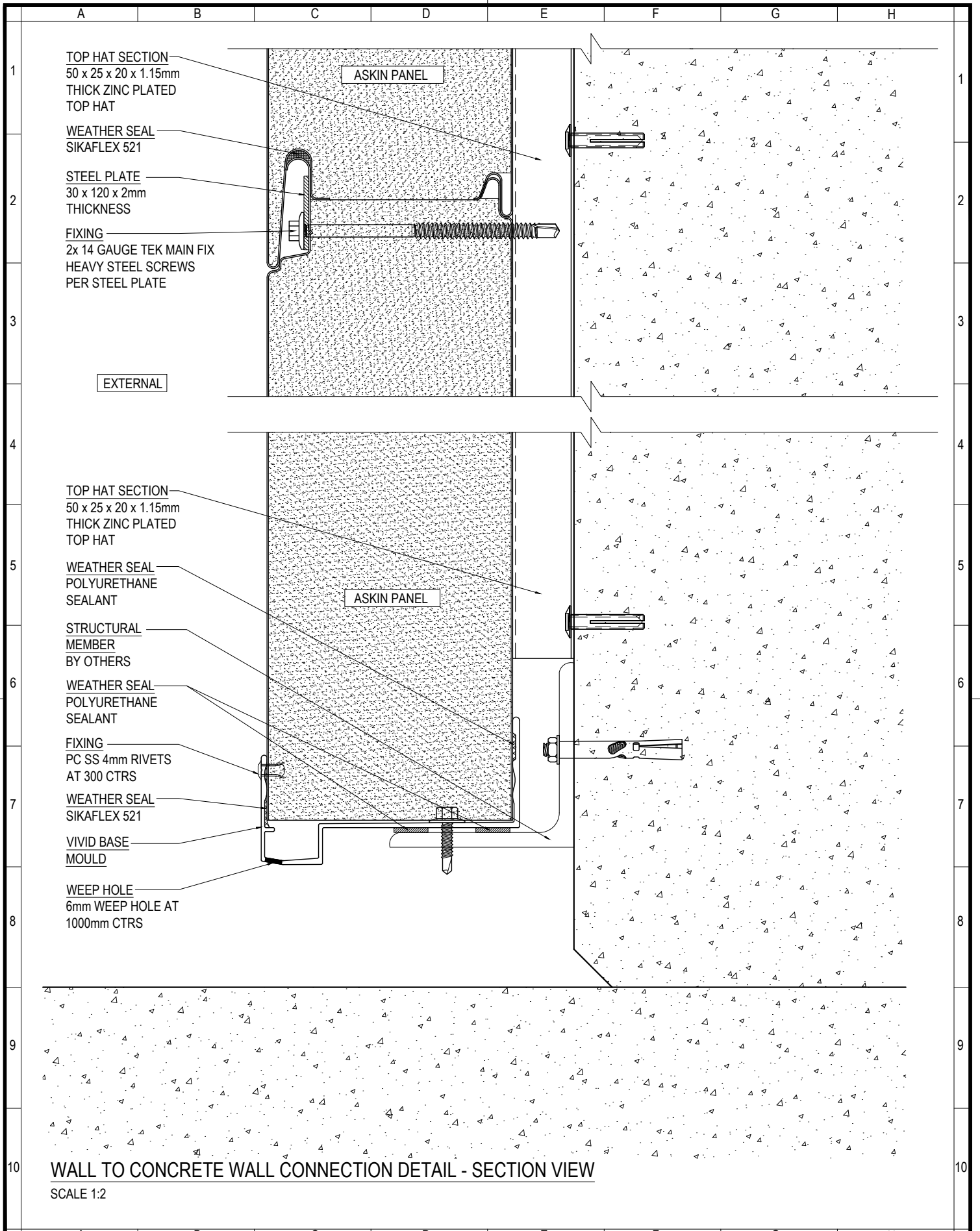
Issue date

13.02.2020

Revision

Drawing No.

AVS - 201



www.askin.net.au  
 VIC P: 03 8769 4816 WA P: 08 9249 4022  
 SA P: 08 8252 7188 QLD P: 07 3718 9500  
 NSW P: 02 8825 2598 NT P: 08 8252 7188

PROJECT:

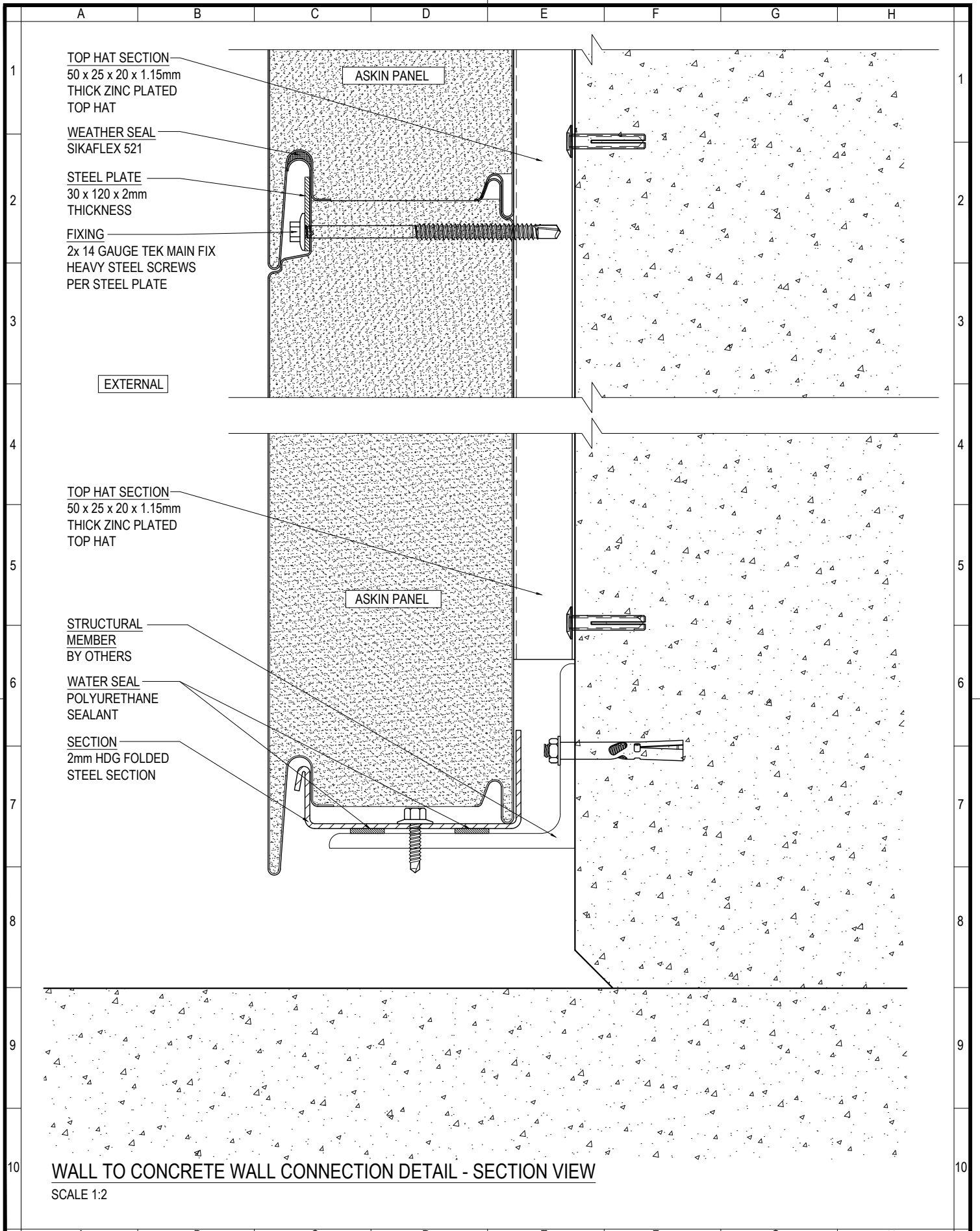
**VIVID SERIES**  
 STANDARD HORIZONTAL  
 WALL TO FLOOR  
 CONNECTION DETAIL

©ASKIN 2020

Revision

-	-	-
-	-	-
-	-	-
-	-	-
-	-	-
-	-	-
-	-	-
-	-	-
-	-	-
-	-	-

Checked By A SHANNON	Scale 1:2
Drawn By R VORWERK	Sheet size A4
Issue date 13.02.2020	Revision -
Drawing No. AVS - 202	



www.askin.net.au  
 VIC P: 03 8769 4816 WA P: 08 9249 4022  
 SA P: 08 8252 7188 QLD P: 07 3718 9500  
 NSW P: 02 8825 2598 NT P: 08 8252 7188

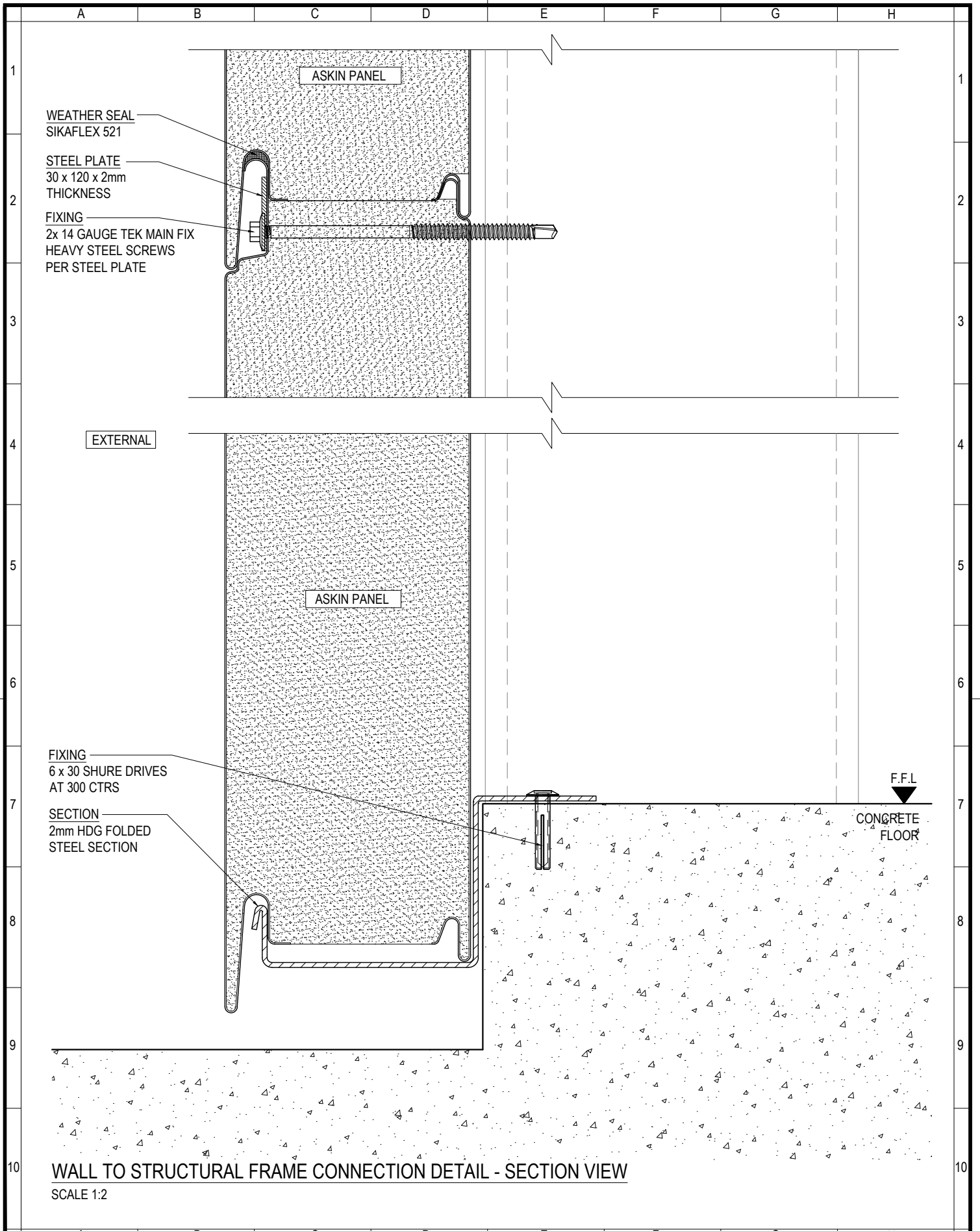
PROJECT:  
**VIVID SERIES**  
 STANDARD HORIZONTAL  
 WALL TO FLOOR  
 CONNECTION DETAIL

©ASKIN 2020

Revision		
-	-	-
-	-	-
-	-	-
-	-	-
-	-	-
-	-	-
-	-	-
-	-	-
-	-	-

Checked By <b>A SHANNON</b>	Scale 1:2
Drawn By <b>R VORWERK</b>	Sheet size A4
Issue date 13.02.2020	Revision -
Drawing No. <b>AVS - 203</b>	





**WALL TO STRUCTURAL FRAME CONNECTION DETAIL - SECTION VIEW**  
 SCALE 1:2



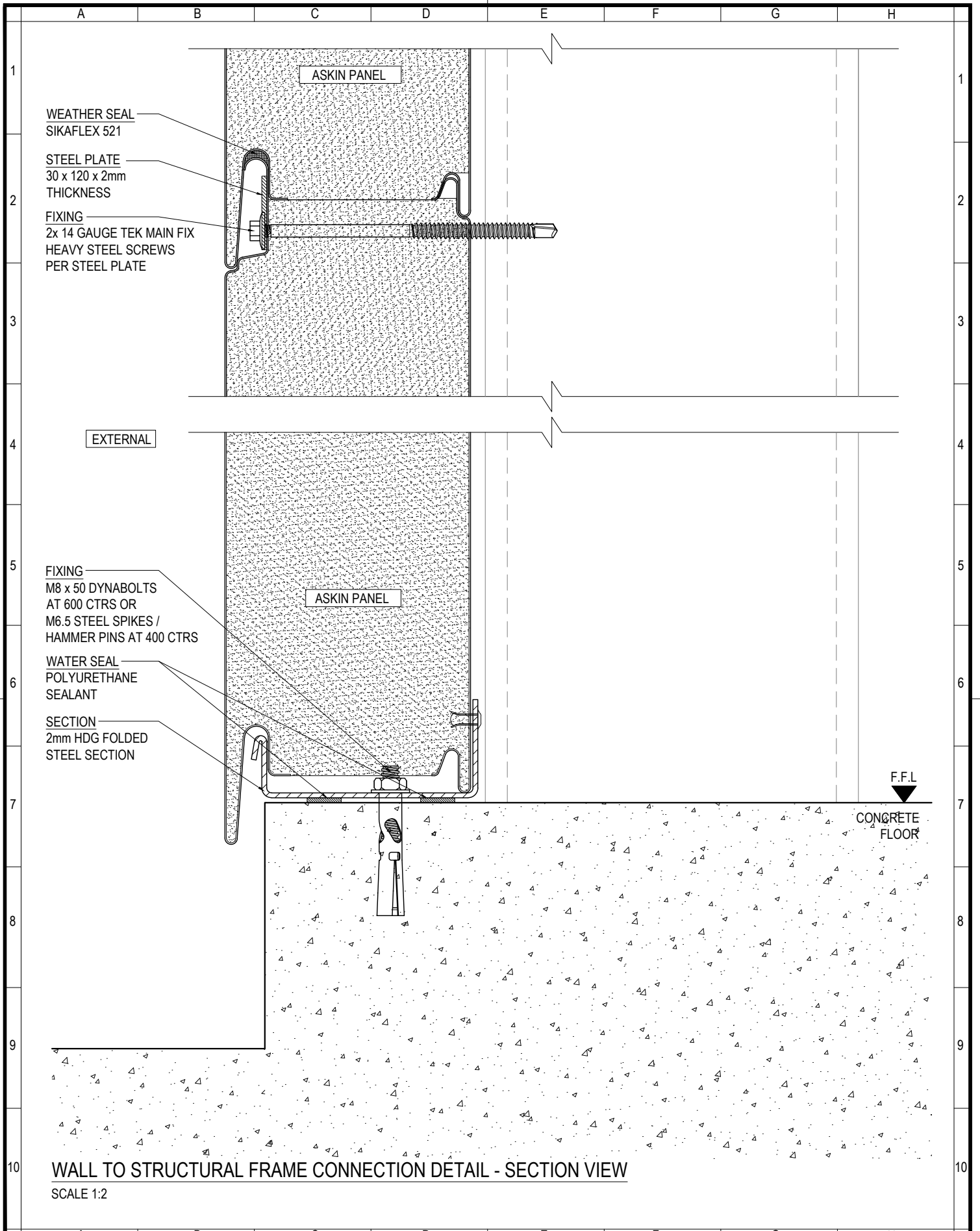
www.askin.net.au  
 VIC P : 03 8769 4816 WA P : 08 9249 4022  
 SA P : 08 8252 7188 QLD P : 07 3718 9500  
 NSW P : 02 8825 2598 NT P : 08 8252 7188

PROJECT:  
**VIVID SERIES**  
 STANDARD HORIZONTAL  
 WALL TO FLOOR  
 CONNECTION DETAIL

©ASKIN 2020

Revision		
-	-	-
-	-	-
-	-	-
-	-	-
-	-	-
-	-	-
-	-	-
-	-	-
-	-	-

Checked By <b>A SHANNON</b>	Scale 1:2
Drawn By <b>R VORWERK</b>	Sheet size A4
Issue date 13.02.2020	Revision -
Drawing No. <b>AVS - 204</b>	



www.askin.net.au  
 VIC P : 03 8769 4816 WA P : 08 9249 4022  
 SA P : 08 8252 7188 QLD P : 07 3718 9500  
 NSW P : 02 8825 2598 NT P : 08 8252 7188

PROJECT:

**VIVID SERIES**  
 STANDARD HORIZONTAL  
 WALL TO FLOOR  
 CONNECTION DETAIL

©ASKIN 2020

Revision

-	-	-
-	-	-
-	-	-
-	-	-
-	-	-
-	-	-
-	-	-
-	-	-

Checked By

A SHANNON

Scale

1:2

Drawn By

R VORWERK

Sheet size

A4

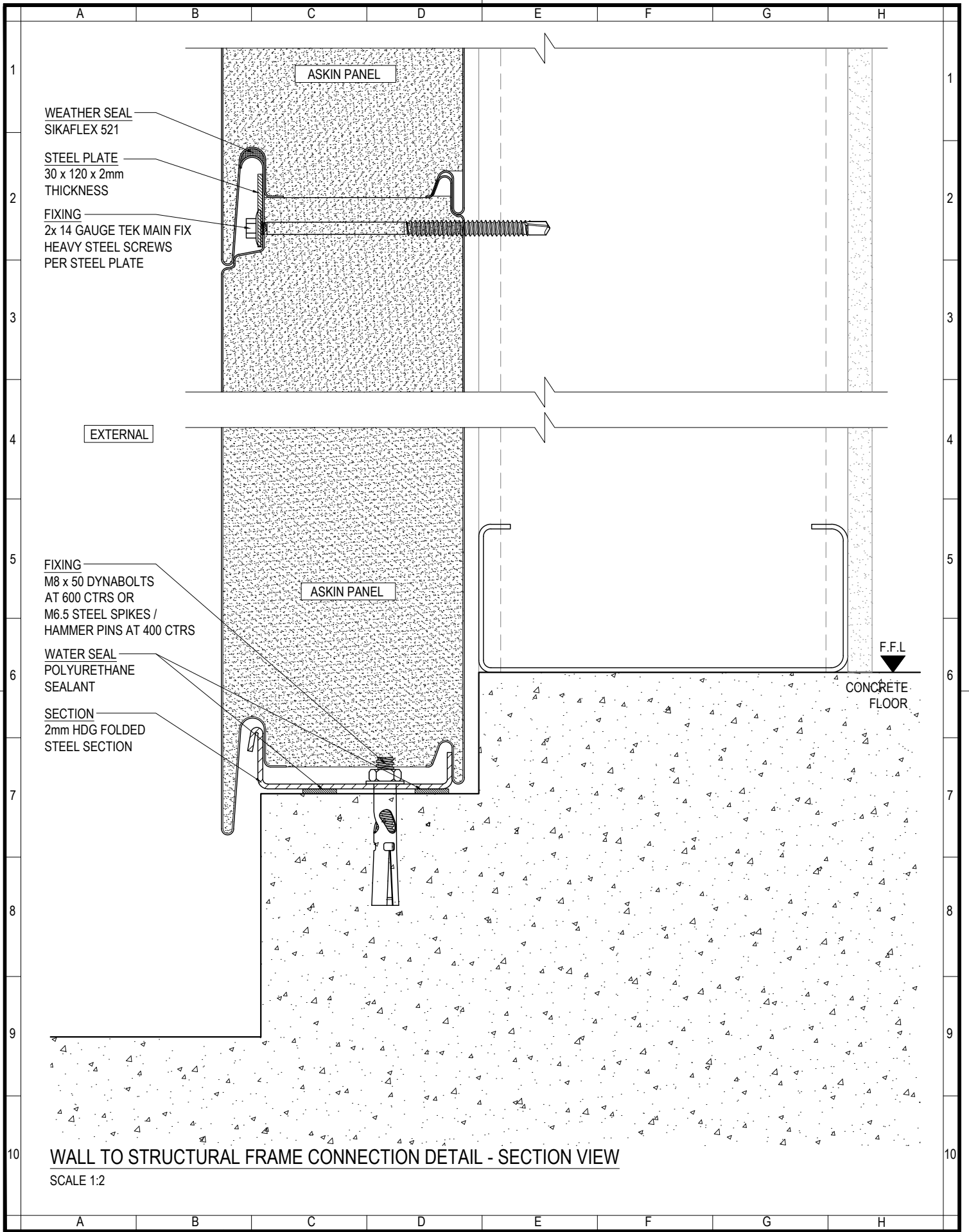
Issue date

13.02.2020

Revision

Drawing No.

AVS - 205



www.askin.net.au

VIC P : 03 8769 4816 WA P : 08 9249 4022  
SA P : 08 8252 7188 QLD P : 07 3718 9500  
NSW P : 02 8825 2598 NT P : 08 8252 7188

PROJECT:

**VIVID SERIES**  
STANDARD HORIZONTAL  
WALL TO FLOOR  
CONNECTION DETAIL

©ASKIN 2020

Revision

-	-	-
-	-	-
-	-	-
-	-	-
-	-	-
-	-	-
-	-	-
-	-	-

Checked By

A SHANNON

Scale

1:2

Drawn By

R VORWERK

Sheet size

A4

Issue date

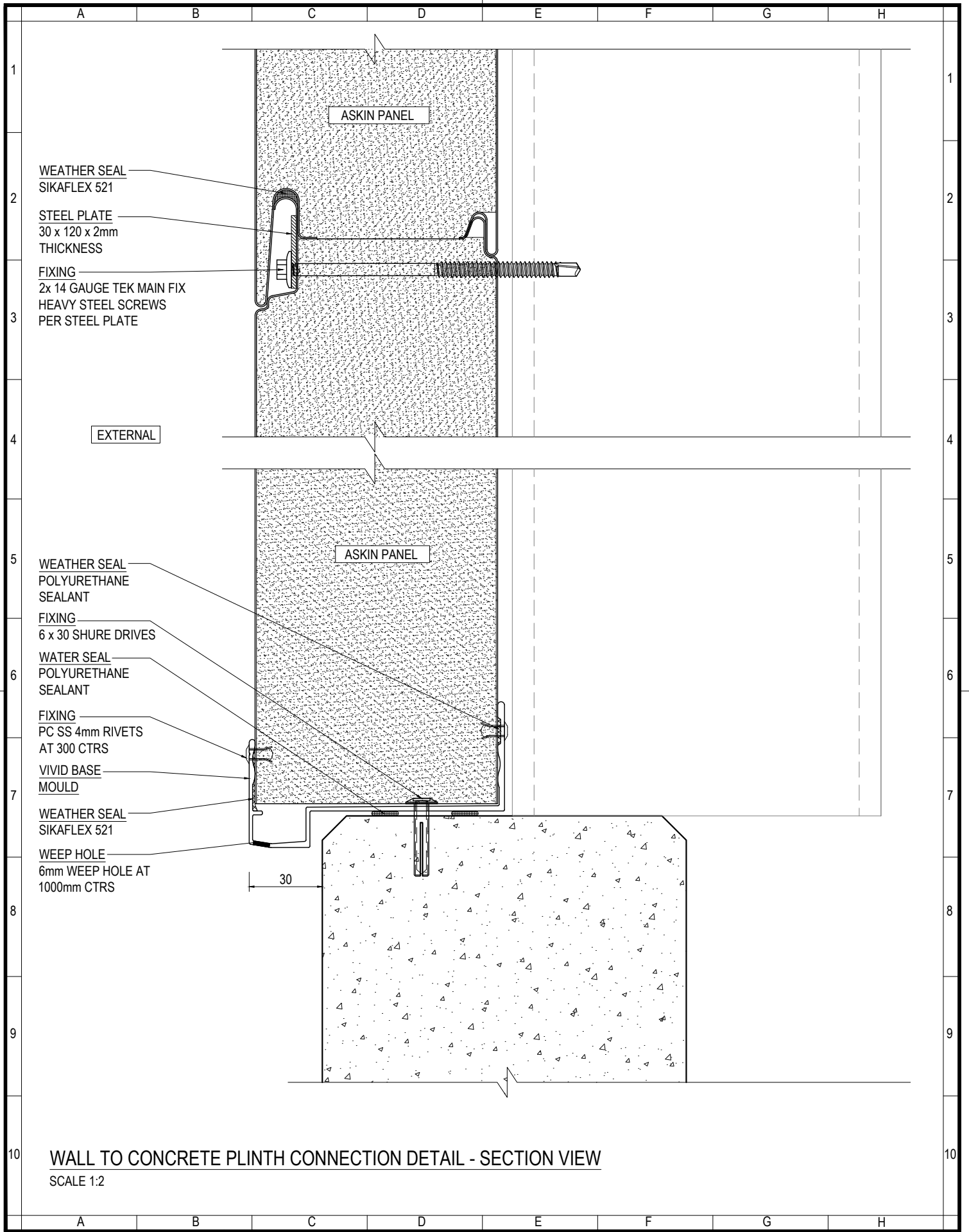
13.02.2020

Revision

-

Drawing No.

AVS - 206



**WALL TO CONCRETE PLINTH CONNECTION DETAIL - SECTION VIEW**  
SCALE 1:2



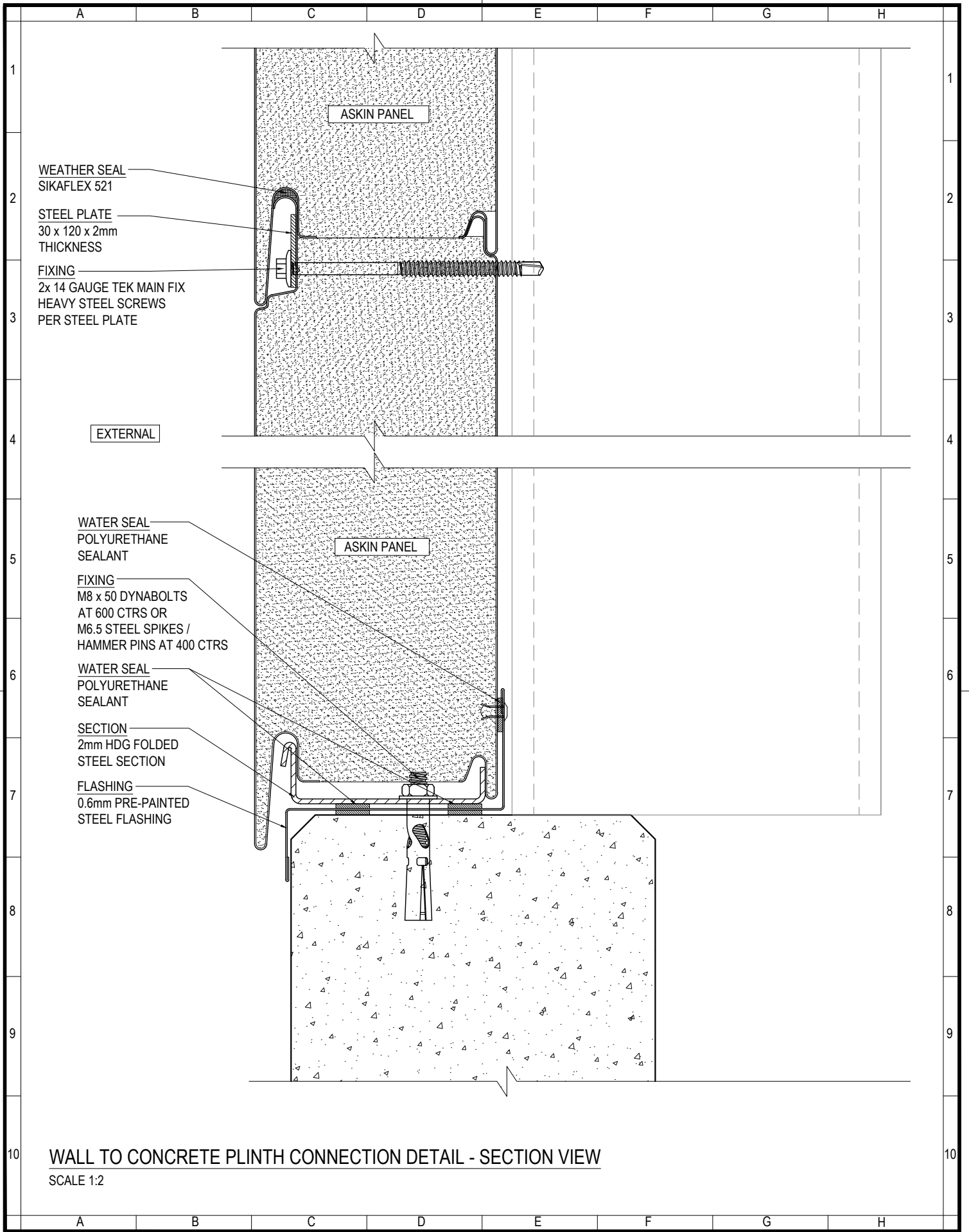
www.askin.net.au  
 VIC P : 03 8769 4816 WA P : 08 9249 4022  
 SA P : 08 8252 7188 QLD P : 07 3718 9500  
 NSW P : 02 8825 2598 NT P : 08 8252 7188

PROJECT:  
**VIVID SERIES**  
 STANDARD HORIZONTAL  
 WALL TO FLOOR  
 CONNECTION DETAIL  
 ©ASKIN 2020

Revision		
-	-	-
-	-	-
-	-	-
-	-	-
-	-	-
-	-	-
-	-	-
-	-	-
-	-	-

Checked By <b>A SHANNON</b>	Scale 1:2
Drawn By <b>R VORWERK</b>	Sheet size A4
Issue date 13.02.2020	Revision -
Drawing No. <b>AVS - 207</b>	





**WALL TO CONCRETE PLINTH CONNECTION DETAIL - SECTION VIEW**  
SCALE 1:2

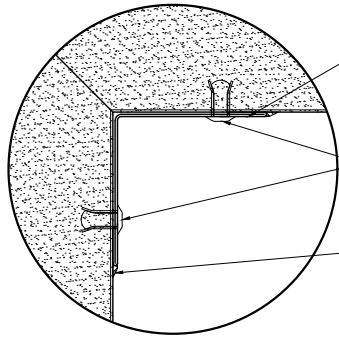


www.askin.net.au  
 VIC P : 03 8769 4816 WA P : 08 9249 4022  
 SA P : 08 8252 7188 QLD P : 07 3718 9500  
 NSW P : 02 8825 2598 NT P : 08 8252 7188

PROJECT:  
**VIVID SERIES**  
 STANDARD HORIZONTAL  
 WALL TO FLOOR  
 CONNECTION DETAIL  
 ©ASKIN 2020

Revision		
-	-	-
-	-	-
-	-	-
-	-	-
-	-	-
-	-	-
-	-	-
-	-	-
-	-	-

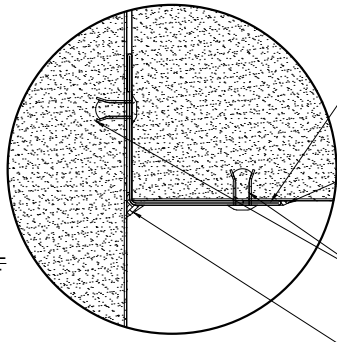
Checked By <b>A SHANNON</b>	Scale 1:2
Drawn By <b>R VORWERK</b>	Sheet size A4
Issue date 13.02.2020	Revision -
Drawing No. <b>AVS - 208</b>	



FLASHING  
40 x 40 x 0.6  
PRE-PAINTED  
STEEL ANGLE

FIXING  
PC SS 4mm RIVETS  
AT 300 CTRS

OPTIONAL WATER SEAL  
FOOD GRADE SEALANT  
REQUIRED TO WASH  
DOWN AREAS

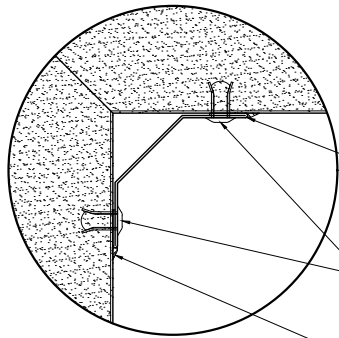


FLASHING  
40 x 40 x 0.6  
PRE-PAINTED  
STEEL ANGLE

WATER SEAL  
FOOD GRADE SEALANT  
REQUIRED TO WASH  
DOWN AREAS

FIXING  
PC SS 4mm RIVETS  
AT 300 CTRS

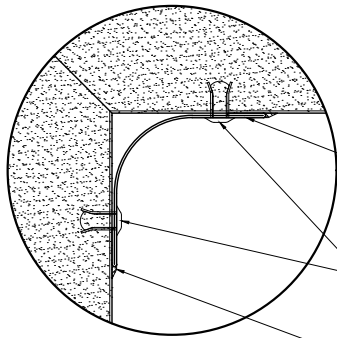
OPTIONAL WATER SEAL  
FOOD GRADE SEALANT  
REQUIRED TO WASH  
DOWN AREAS



FLASHING  
35 x 35 x 0.6  
PRE-PAINTED STEEL  
COVE ANGLE

FIXING  
PC SS 4mm RIVETS  
AT 300 CTRS

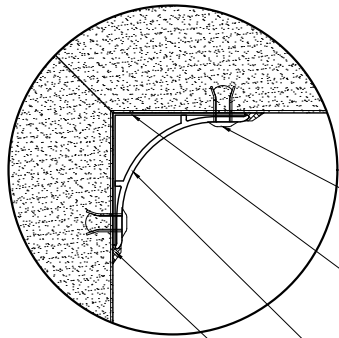
OPTIONAL WATER SEAL  
FOOD GRADE SEALANT  
REQUIRED TO WASH  
DOWN AREAS



FLASHING  
40 x 40 x 0.6  
PRE-PAINTED  
STEEL RADIUS

FIXING  
PC SS 4mm RIVETS  
AT 300 CTRS

OPTIONAL WATER SEAL  
FOOD GRADE SEALANT  
REQUIRED TO WASH  
DOWN AREAS

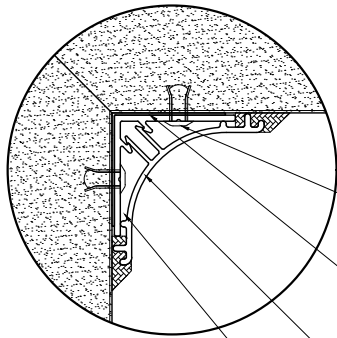


FIXING  
PC SS 4mm RIVETS  
AT 300 CTRS

FLASHING  
40 x 40 x 0.6  
PRE-PAINTED  
STEEL ANGLE

EXTRUSION  
35mm POWDER COATED  
ALUMINIUM RADIUS

OPTIONAL WATER SEAL  
FOOD GRADE SEALANT  
REQUIRED TO WASH  
DOWN AREAS



FIXING  
PC SS 4mm RIVETS  
AT 300 CTRS

FLASHING  
30 x 30 x 0.6  
PRE-PAINTED  
STEEL ANGLE

EXTRUSION  
POWDERCOATED  
ALUMINIUM 2 PART  
HIDDEN FIX RADIUS

OPTIONAL WATER SEAL  
FOOD GRADE SEALANT  
REQUIRED TO WASH  
DOWN AREAS

ALTERNATIVE INTERNAL  
CORNICES - PLAN VIEW  
SCALE 1:2



www.askin.net.au  
VIC P: 03 8769 4816 WA P: 08 9249 4022  
SA P: 08 8252 7188 QLD P: 07 3718 9500  
NSW P: 02 8825 2598 NT P: 08 8252 7188

PROJECT:

**VIVID SERIES**  
STANDARD HORIZONTAL  
WALL TO WALL  
CONNECTION DETAILS

©ASKIN 2020

Revision

-	-	-
-	-	-
-	-	-
-	-	-
-	-	-
-	-	-
-	-	-
-	-	-
-	-	-
-	-	-

Checked By

A SHANNON

Scale

1:2

Drawn By

R VORWERK

Sheet size

A4

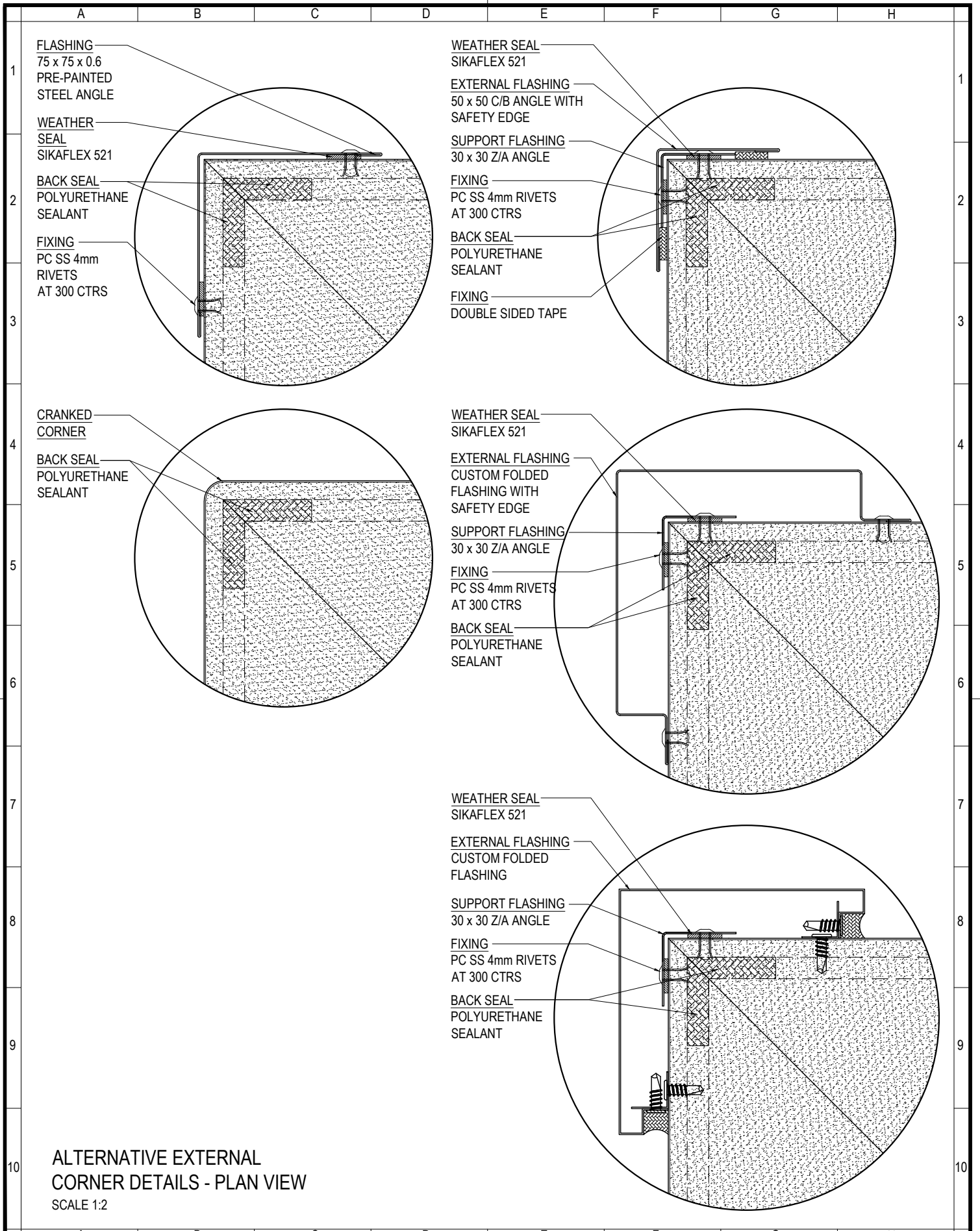
Issue date

13.02.2020

Revision

Drawing No.

AVS - 210



ALTERNATIVE EXTERNAL CORNER DETAILS - PLAN VIEW  
SCALE 1:2



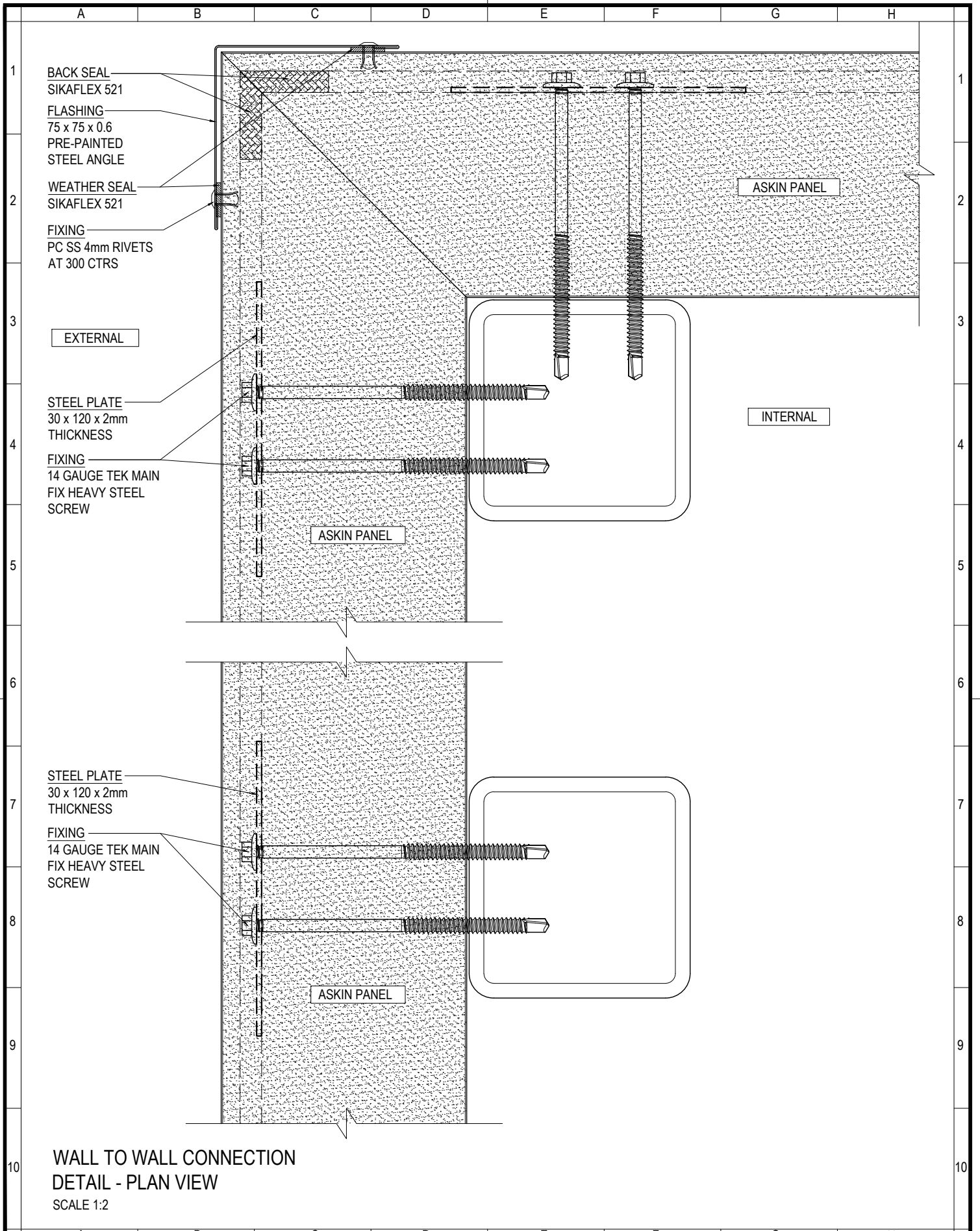
www.askin.net.au  
 VIC P : 03 8769 4816 WA P : 08 9249 4022  
 SA P : 08 8252 7188 QLD P : 07 3718 9500  
 NSW P : 02 8825 2598 NT P : 08 8252 7188

PROJECT:  
**VIVID SERIES**  
 STANDARD HORIZONTAL  
 WALL TO WALL  
 CONNECTION DETAILS

© ASKIN 2020

Revision		
-	-	-
-	-	-
-	-	-
-	-	-
-	-	-
-	-	-
-	-	-
-	-	-
-	-	-

Checked By <b>A SHANNON</b>	Scale 1:2
Drawn By <b>R VORWERK</b>	Sheet size A4
Issue date 13.02.2020	Revision -
Drawing No. <b>AVS - 211</b>	



www.askin.net.au  
 VIC P : 03 8769 4816 WA P : 08 9249 4022  
 SA P : 08 8252 7188 QLD P : 07 3718 9500  
 NSW P : 02 8825 2598 NT P : 08 8252 7188

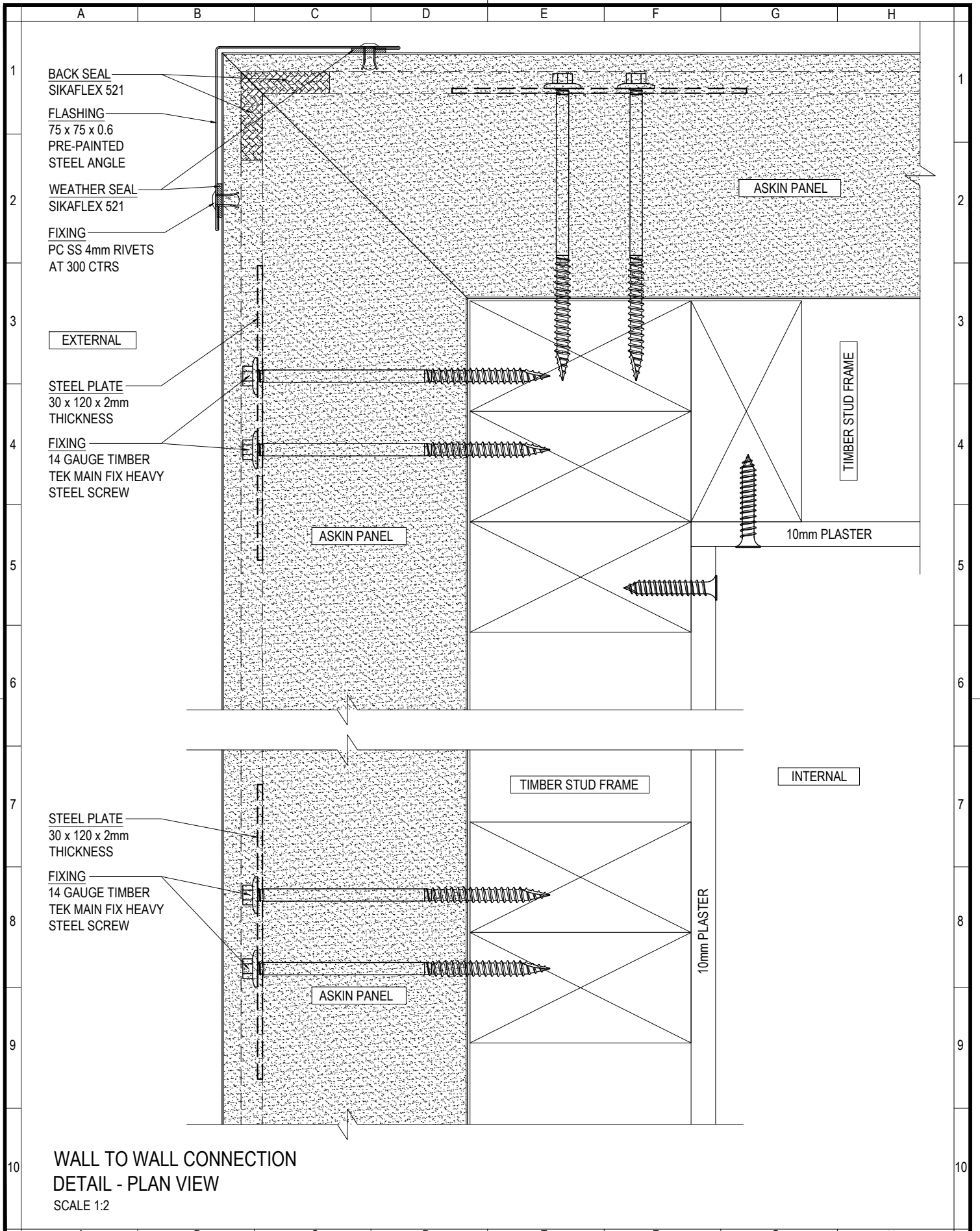
PROJECT:  
**VIVID SERIES**  
 STANDARD HORIZONTAL  
 WALL TO WALL  
 CONNECTION DETAILS

© ASKIN 2020

Revision		
-	-	-
-	-	-
-	-	-
-	-	-
-	-	-
-	-	-
-	-	-
-	-	-
-	-	-

Checked By <b>A SHANNON</b>	Scale 1:2
Drawn By <b>R VORWERK</b>	Sheet size A4
Issue date 13.02.2020	Revision -
Drawing No. <b>AVS - 212</b>	





www.askin.net.au  
 VIC P: 03 8769 4816 WA P: 08 9249 4022  
 SA P: 08 8252 7188 QLD P: 07 3718 9500  
 NSW P: 02 8825 2598 NT P: 08 8252 7188

PROJECT:

**VIVID SERIES**  
 STANDARD HORIZONTAL  
 WALL TO WALL  
 CONNECTION DETAILS

© ASKIN 2020

Revision

-	-	-
-	-	-
-	-	-
-	-	-
-	-	-
-	-	-
-	-	-
-	-	-

Checked By

A SHANNON

Scale

1:2

Drawn By

R VORWERK

Sheet size

A4

Issue date

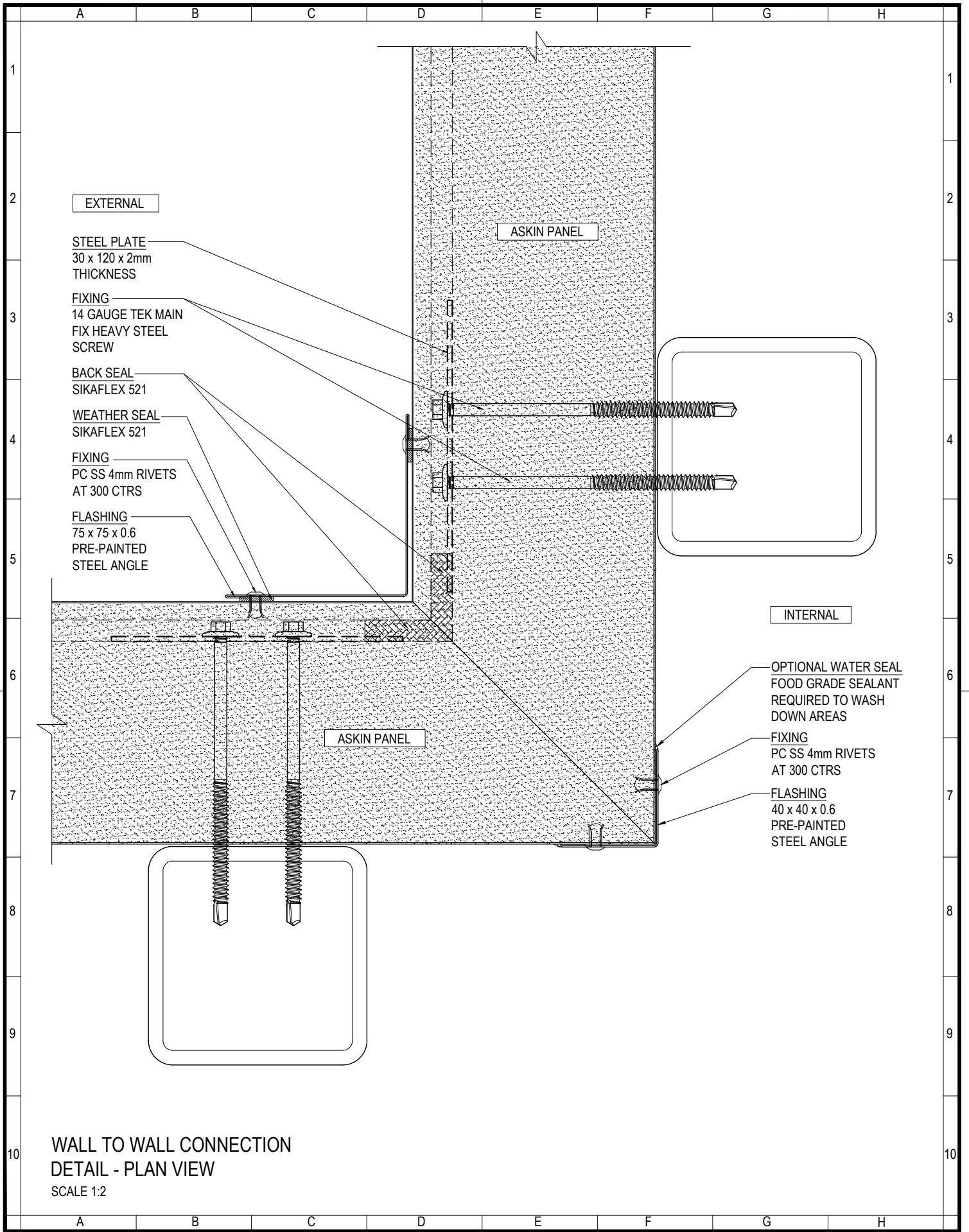
13.02.2020

Revision

-

Drawing No.

AVS - 213



WALL TO WALL CONNECTION  
 DETAIL - PLAN VIEW  
 SCALE 1:2

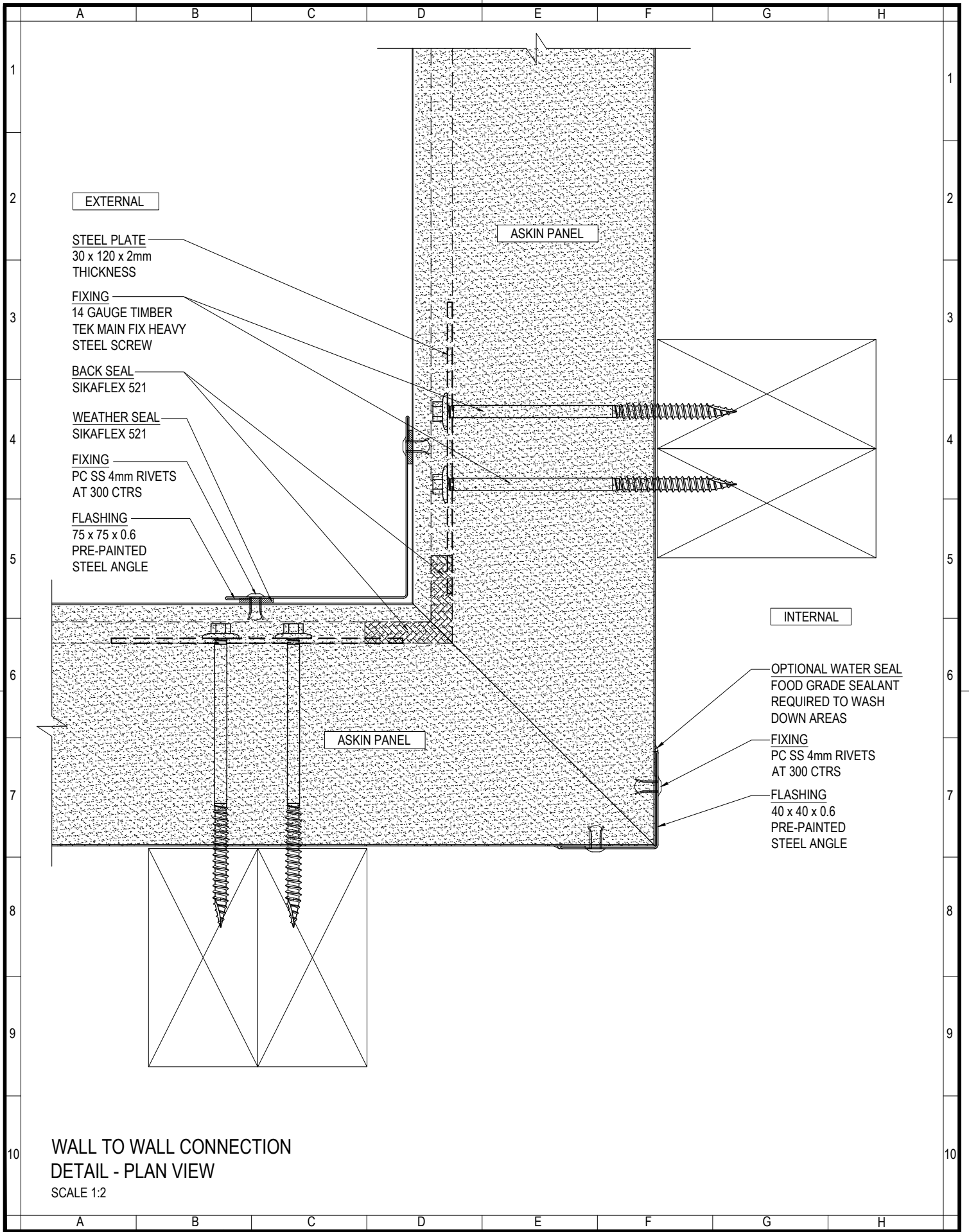


www.askin.net.au  
 VIC P : 03 8769 4816 WA P : 08 9249 4022  
 SA P : 08 8252 7188 QLD P : 07 3718 9500  
 NSW P : 02 8825 2598 NT P : 08 8252 7188

PROJECT:  
**VIVID SERIES**  
 STANDARD HORIZONTAL  
 WALL TO WALL  
 CONNECTION DETAILS  
 © ASKIN 2020

Revision		
-	-	-
-	-	-
-	-	-
-	-	-
-	-	-
-	-	-
-	-	-
-	-	-
-	-	-

Checked By A SHANNON	Scale 1:2
Drawn By R VORWERK	Sheet size A4
Issue date 13.02.2020	Revision -
Drawing No. <b>AVS - 214</b>	



WALL TO WALL CONNECTION  
 DETAIL - PLAN VIEW  
 SCALE 1:2



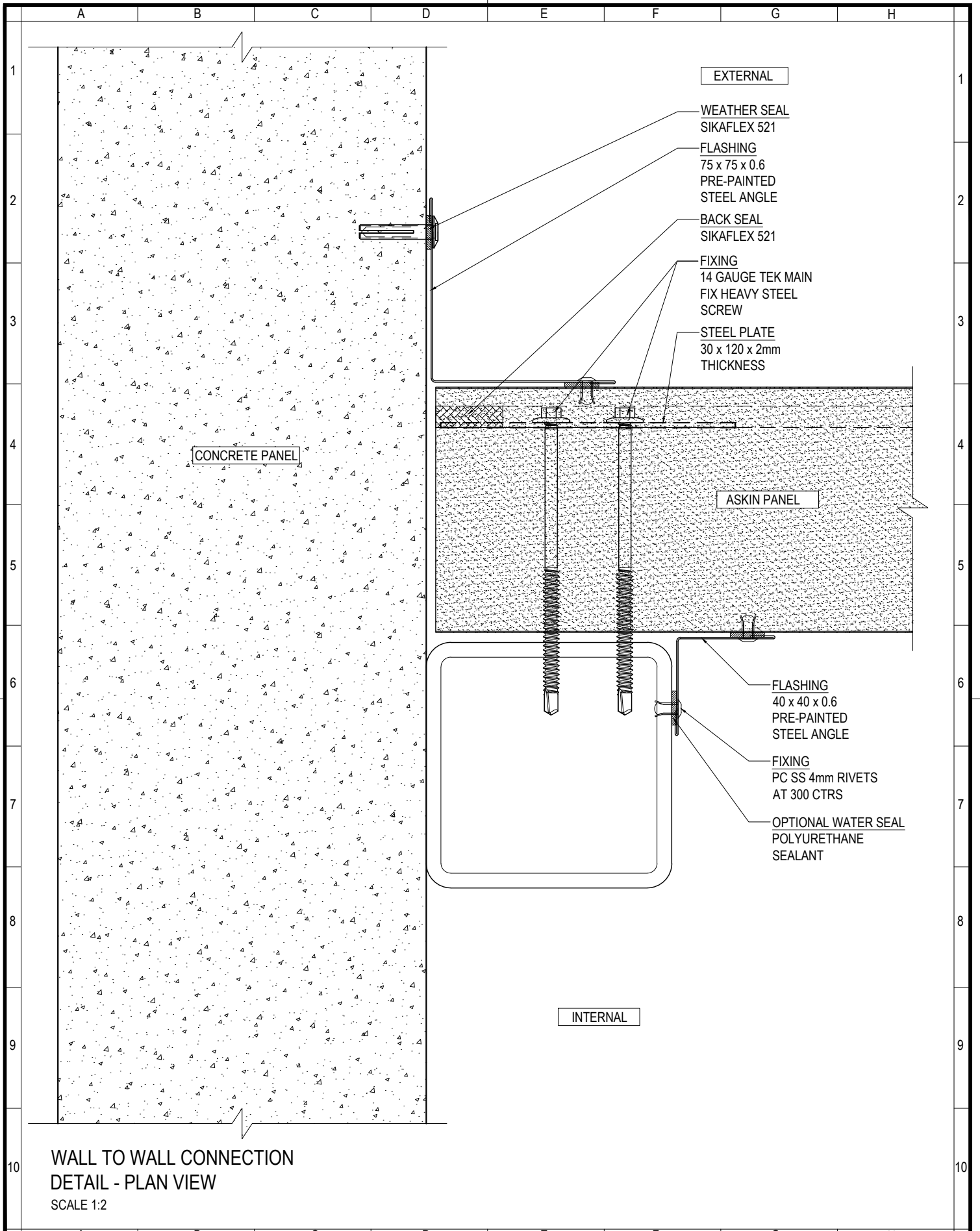
www.askin.net.au  
 VIC P : 03 8769 4816 WA P : 08 9249 4022  
 SA P : 08 8252 7188 QLD P : 07 3718 9500  
 NSW P : 02 8825 2598 NT P : 08 8252 7188

PROJECT:  
**VIVID SERIES**  
 STANDARD HORIZONTAL  
 WALL TO WALL  
 CONNECTION DETAILS  
 © ASKIN 2020

Revision		
-	-	-
-	-	-
-	-	-
-	-	-
-	-	-
-	-	-
-	-	-
-	-	-
-	-	-

Checked By A SHANNON	Scale 1:2
Drawn By R VORWERK	Sheet size A4
Issue date 13.02.2020	Revision -
Drawing No. <b>AVS - 215</b>	





WALL TO WALL CONNECTION  
 DETAIL - PLAN VIEW  
 SCALE 1:2



www.askin.net.au  
 VIC P : 03 8769 4816 WA P : 08 9249 4022  
 SA P : 08 8252 7188 QLD P : 07 3718 9500  
 NSW P : 02 8825 2598 NT P : 08 8252 7188

PROJECT:  
**VIVID SERIES**  
 STANDARD HORIZONTAL  
 WALL TO WALL  
 CONNECTION DETAILS

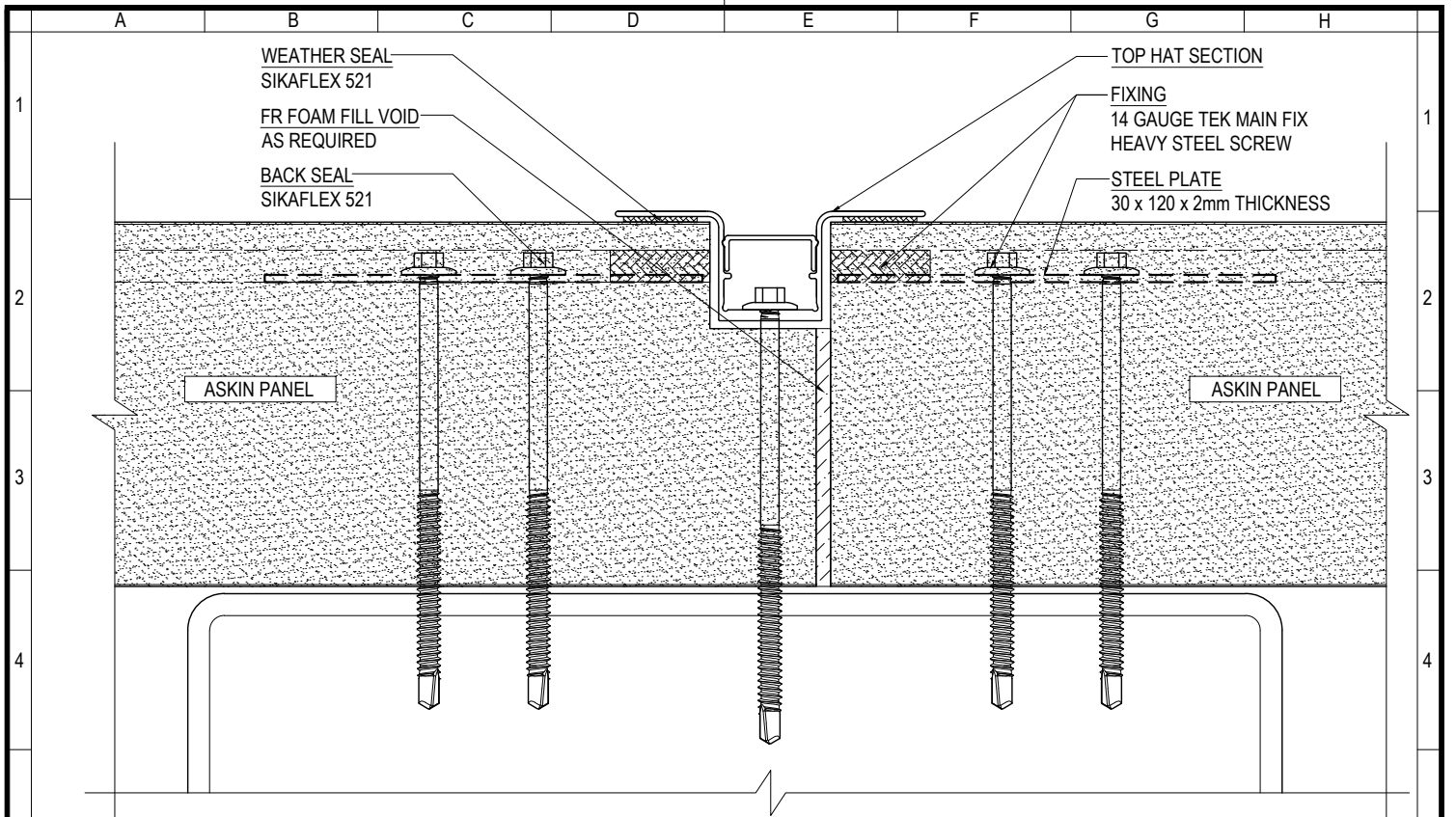
© ASKIN 2020

Revision		
-	-	-
-	-	-
-	-	-
-	-	-
-	-	-
-	-	-
-	-	-
-	-	-
-	-	-

Checked By A SHANNON	Scale 1:2
Drawn By R VORWERK	Sheet size A4
Issue date 13.02.2020	Revision -
Drawing No.	

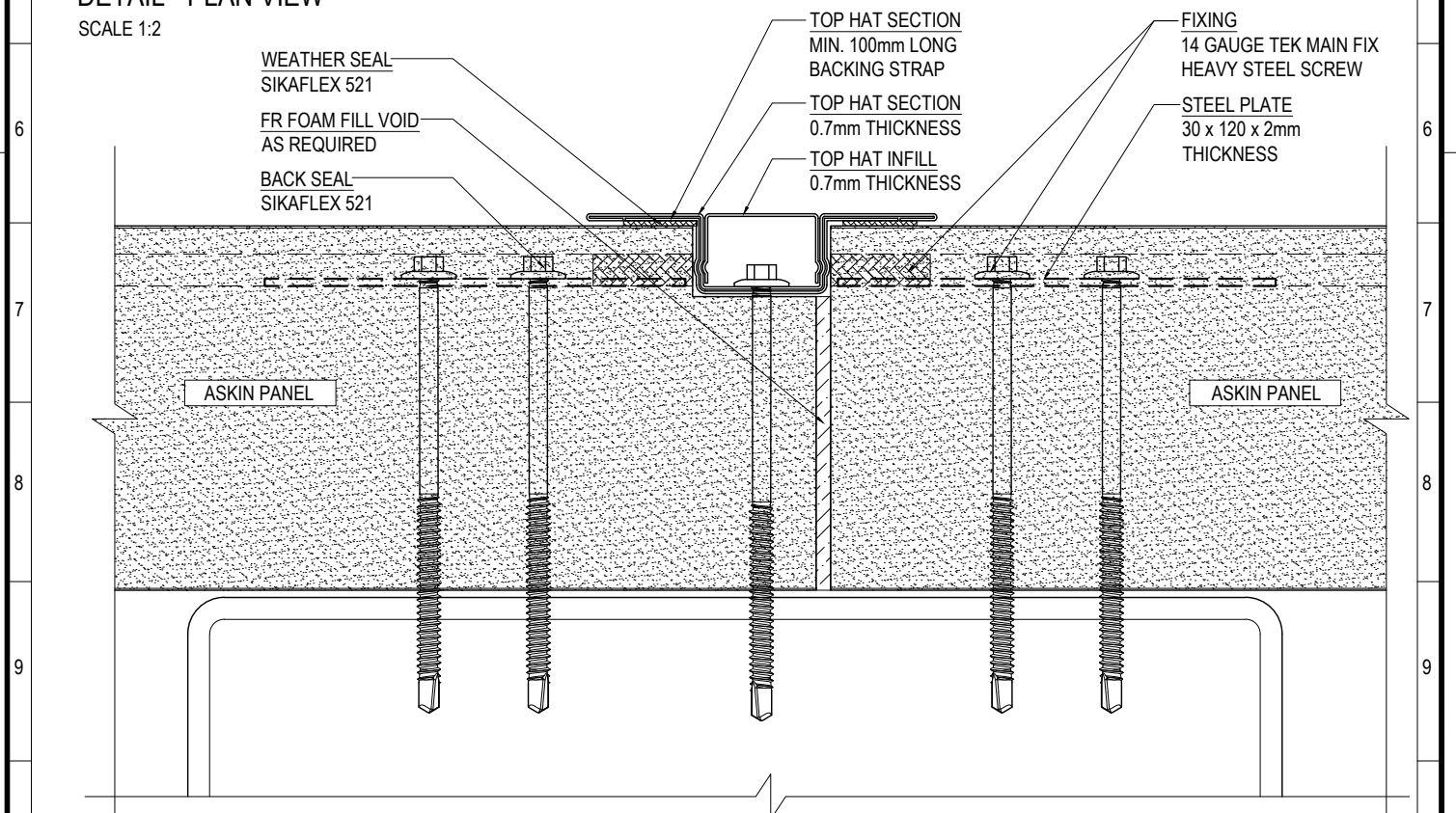
AVS - 216





WALL TO WALL CONNECTION  
DETAIL - PLAN VIEW

SCALE 1:2



ALTERNATIVE CONNECTION  
DETAIL - PLAN VIEW

SCALE 1:2



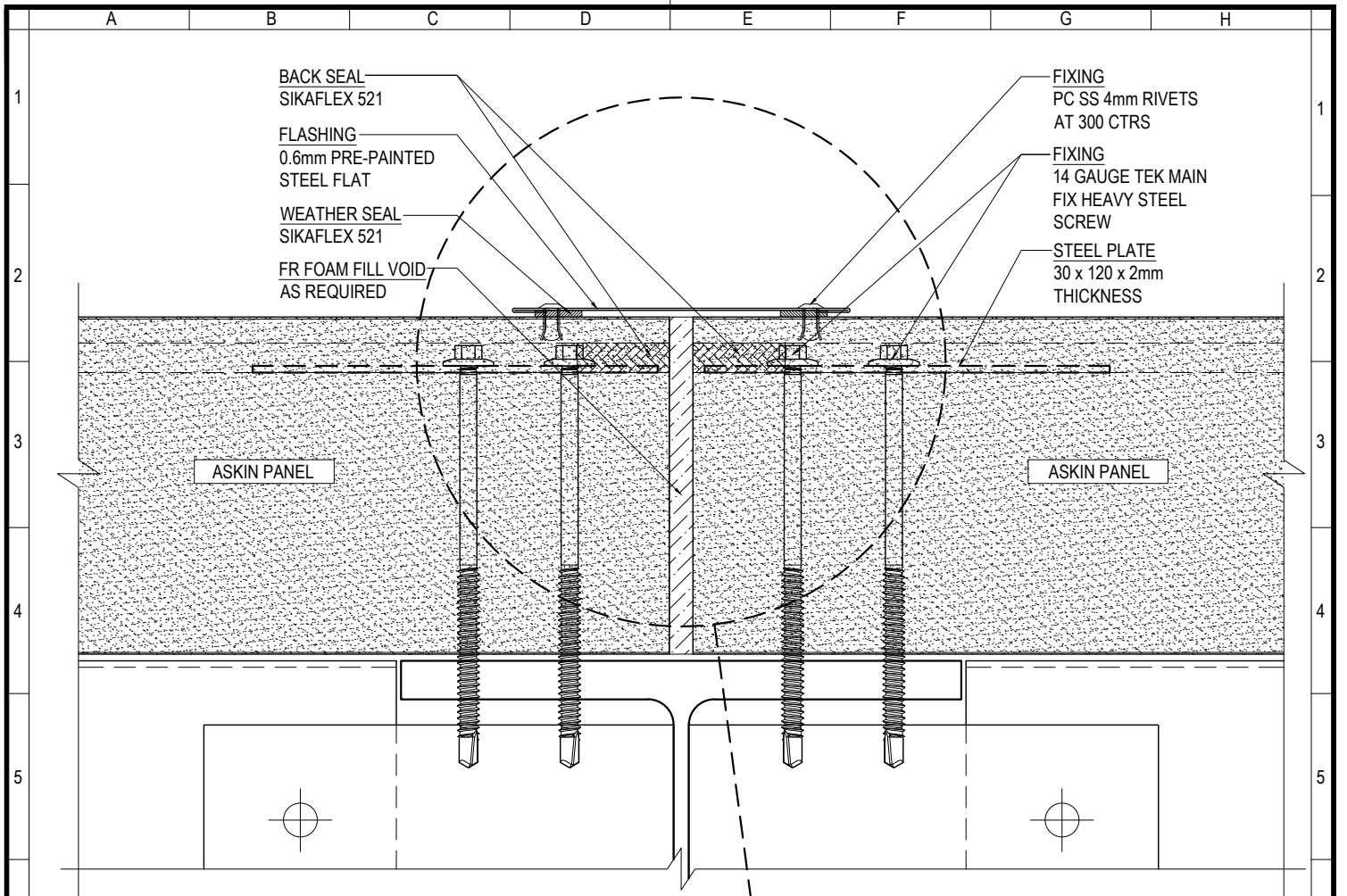
www.askin.net.au  
VIC P : 03 8769 4816 WA P : 08 9249 4022  
SA P : 08 8252 7188 QLD P : 07 3718 9500  
NSW P : 02 8825 2598 NT P : 08 8252 7188

PROJECT:  
**VIVID SERIES**  
STANDARD HORIZONTAL  
WALL TO WALL  
CONNECTION DETAILS

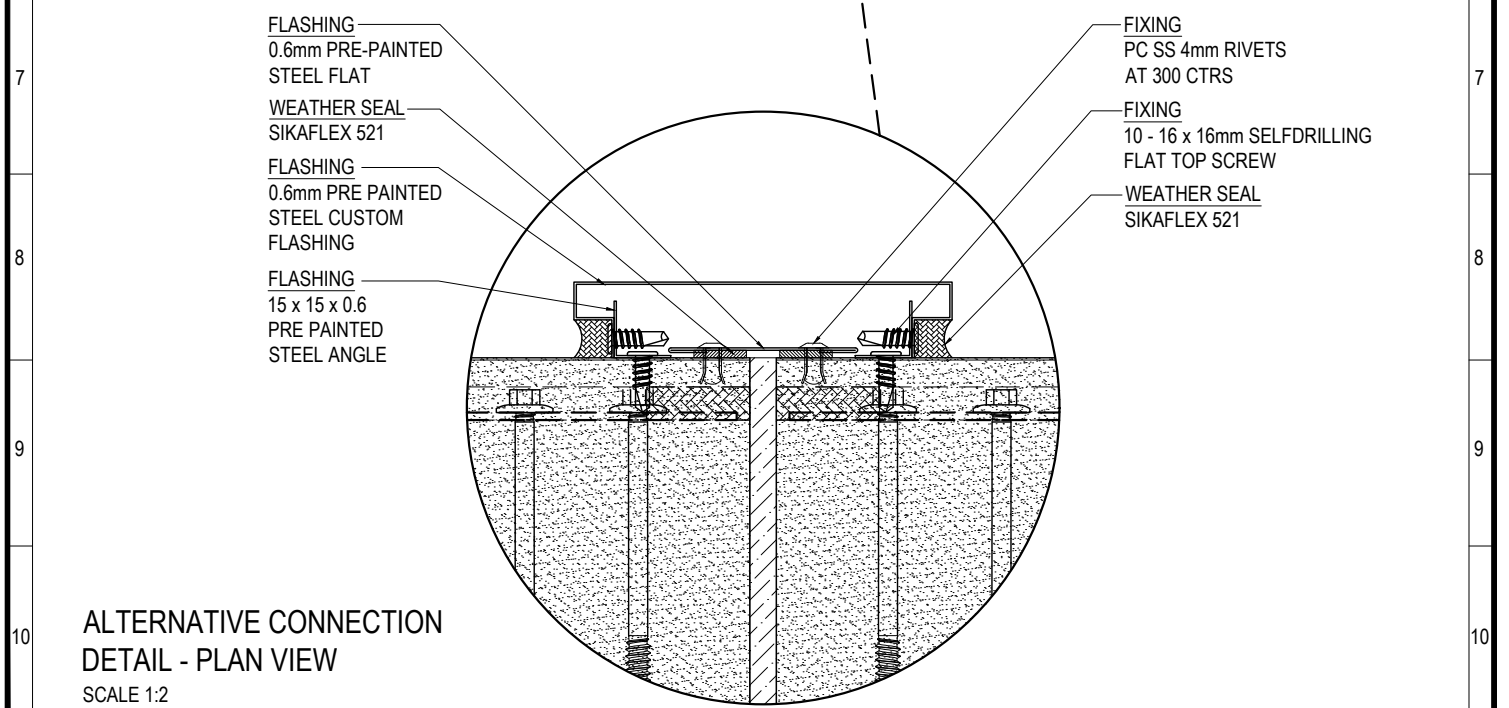
©ASKIN 2020

Revision	Checked By	Scale
-	A SHANNON	1:2
-	R VORWERK	Sheet size
-	Issue date	A4
-	13.02.2020	Revision
-	Drawing No.	-

Checked By  
A SHANNON  
Scale  
1:2  
Drawn By  
R VORWERK  
Sheet size  
A4  
Issue date  
13.02.2020  
Revision  
-  
Drawing No.  
AVS - 217



**WALL TO WALL CONNECTION  
DETAIL - PLAN VIEW**  
SCALE 1:2



**ALTERNATIVE CONNECTION  
DETAIL - PLAN VIEW**  
SCALE 1:2



www.askin.net.au  
 VIC P : 03 8769 4816 WA P : 08 9249 4022  
 SA P : 08 8252 7188 QLD P : 07 3718 9500  
 NSW P : 02 8825 2598 NT P : 08 8252 7188

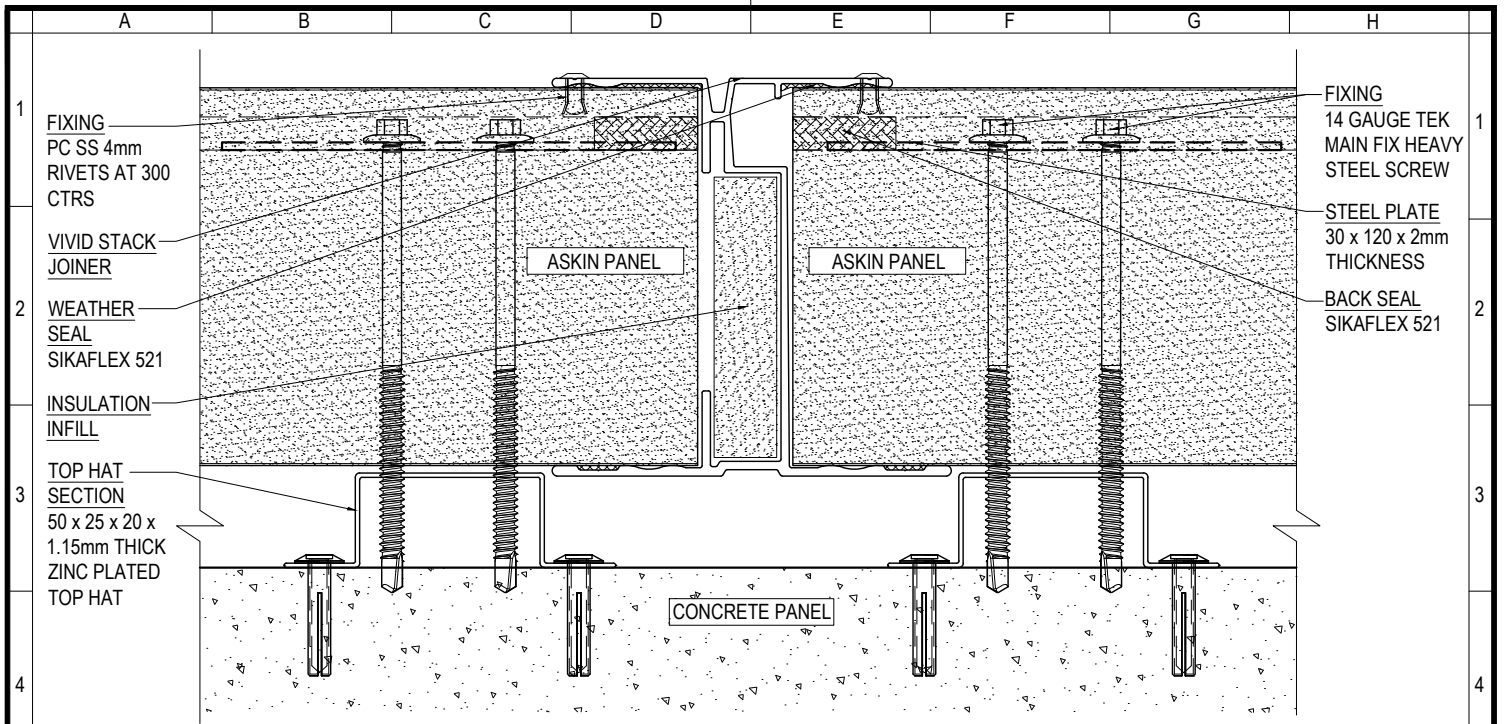
PROJECT:  
**VIVID SERIES**  
 STANDARD HORIZONTAL  
 WALL TO WALL  
 CONNECTION DETAILS

© ASKIN 2020

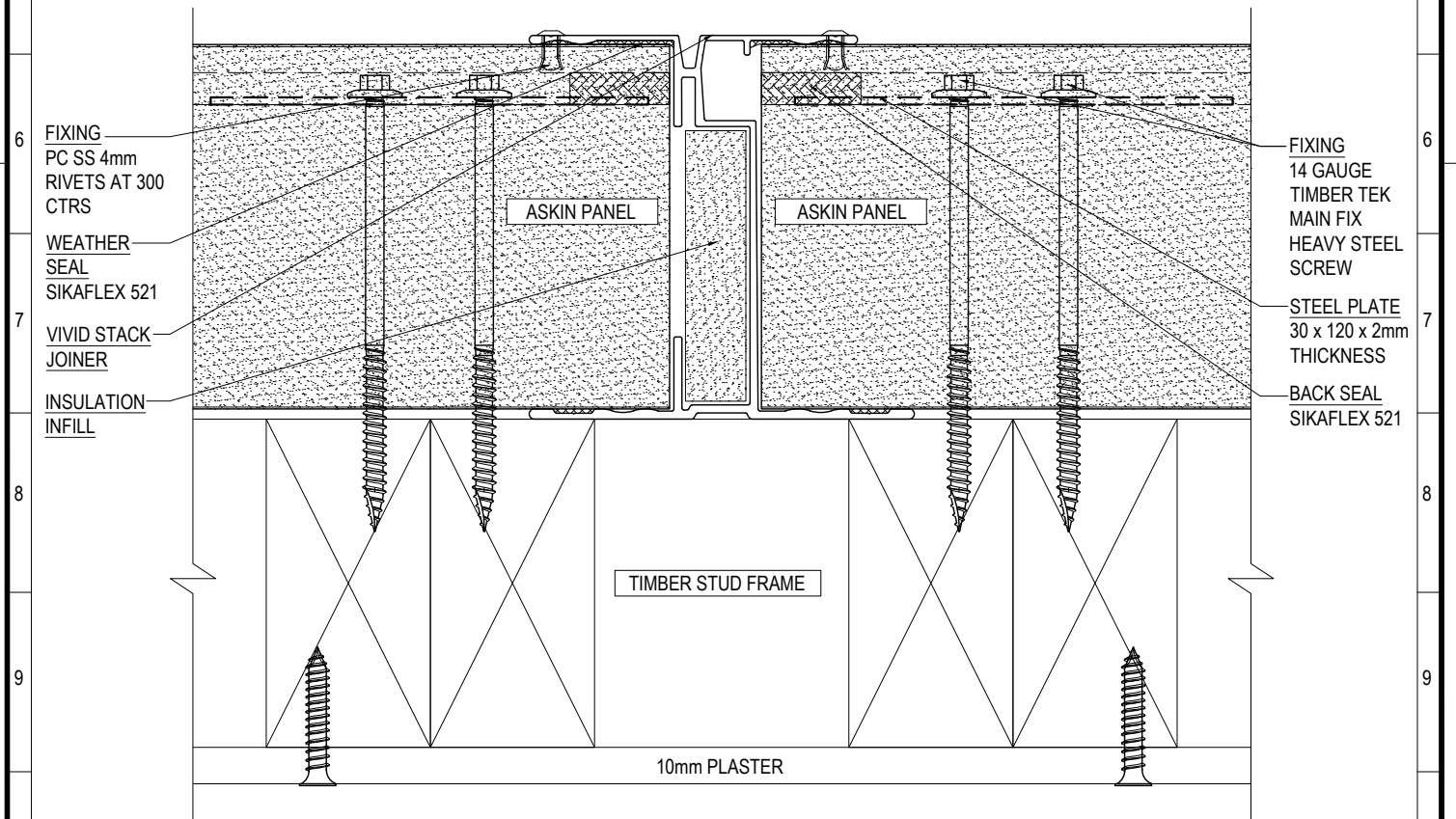
Revision		
-	-	-
-	-	-
-	-	-
-	-	-
-	-	-
-	-	-
-	-	-
-	-	-
-	-	-

Checked By <b>A SHANNON</b>	Scale 1:2
Drawn By <b>R VORWERK</b>	Sheet size A4
Issue date 13.02.2020	Revision -
Drawing No.	

**AVS - 218**



WALL TO WALL CONNECTION  
 DETAIL - PLAN VIEW  
 SCALE 1:2



WALL TO WALL CONNECTION  
 DETAIL - PLAN VIEW  
 SCALE 1:2



www.askin.net.au  
 VIC P: 03 8769 4816 WA P: 08 9249 4022  
 SA P: 08 8252 7188 QLD P: 07 3718 9500  
 NSW P: 02 8825 2598 NT P: 08 8252 7188

PROJECT:  
**VIVID SERIES**  
 STANDARD HORIZONTAL  
 WALL TO WALL  
 CONNECTION DETAILS

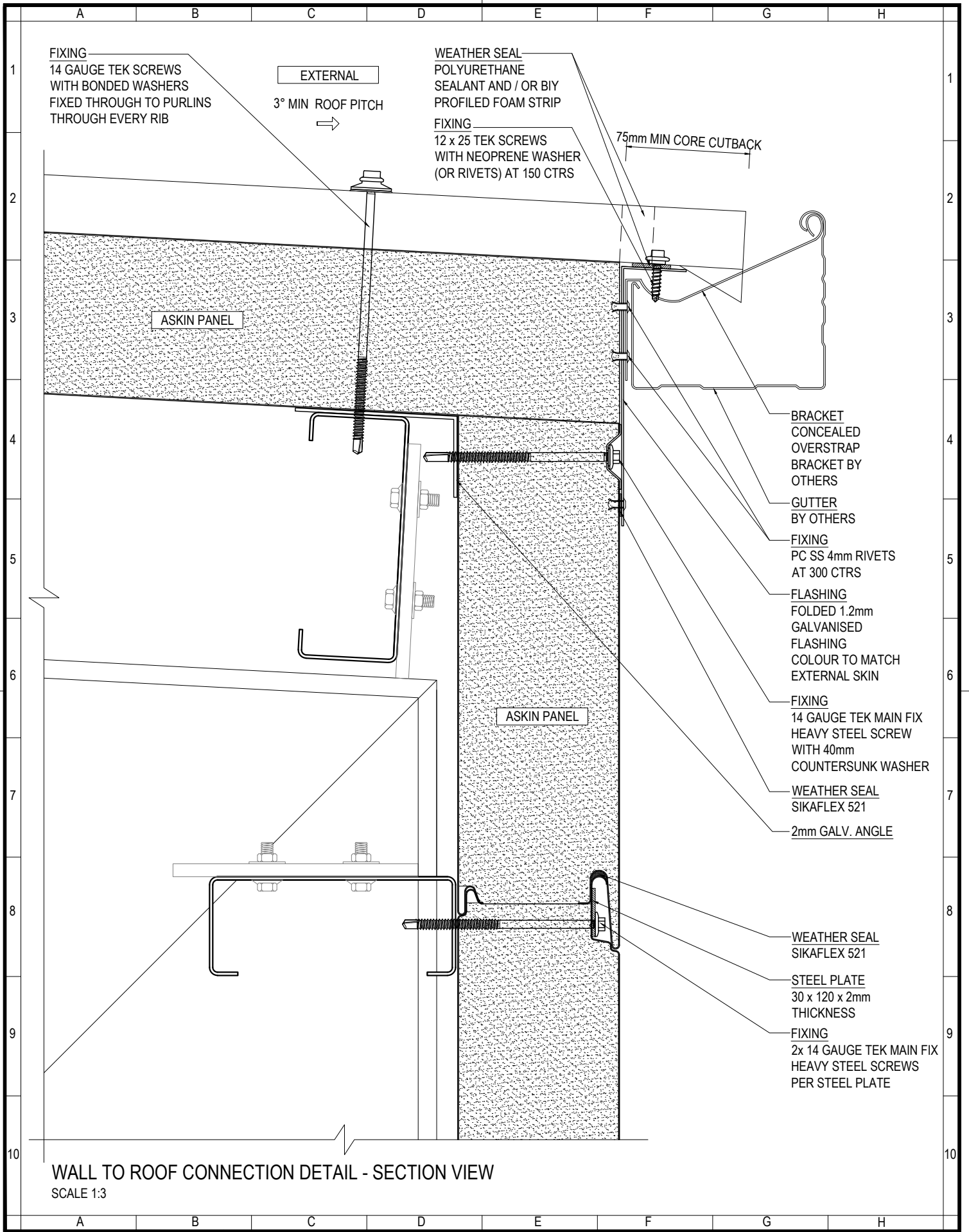
© ASKIN 2020

Revision		
-	-	-
-	-	-
-	-	-
-	-	-
-	-	-
-	-	-
-	-	-
-	-	-
-	-	-

Checked By A SHANNON	Scale 1:2
Drawn By R VORWERK	Sheet size A4
Issue date 13.02.2020	Revision -
Drawing No.	

AVS - 219





www.askin.net.au  
 VIC P: 03 8769 4816 WA P: 08 9249 4022  
 SA P: 08 8252 7188 QLD P: 07 3718 9500  
 NSW P: 02 8825 2598 NT P: 08 8252 7188

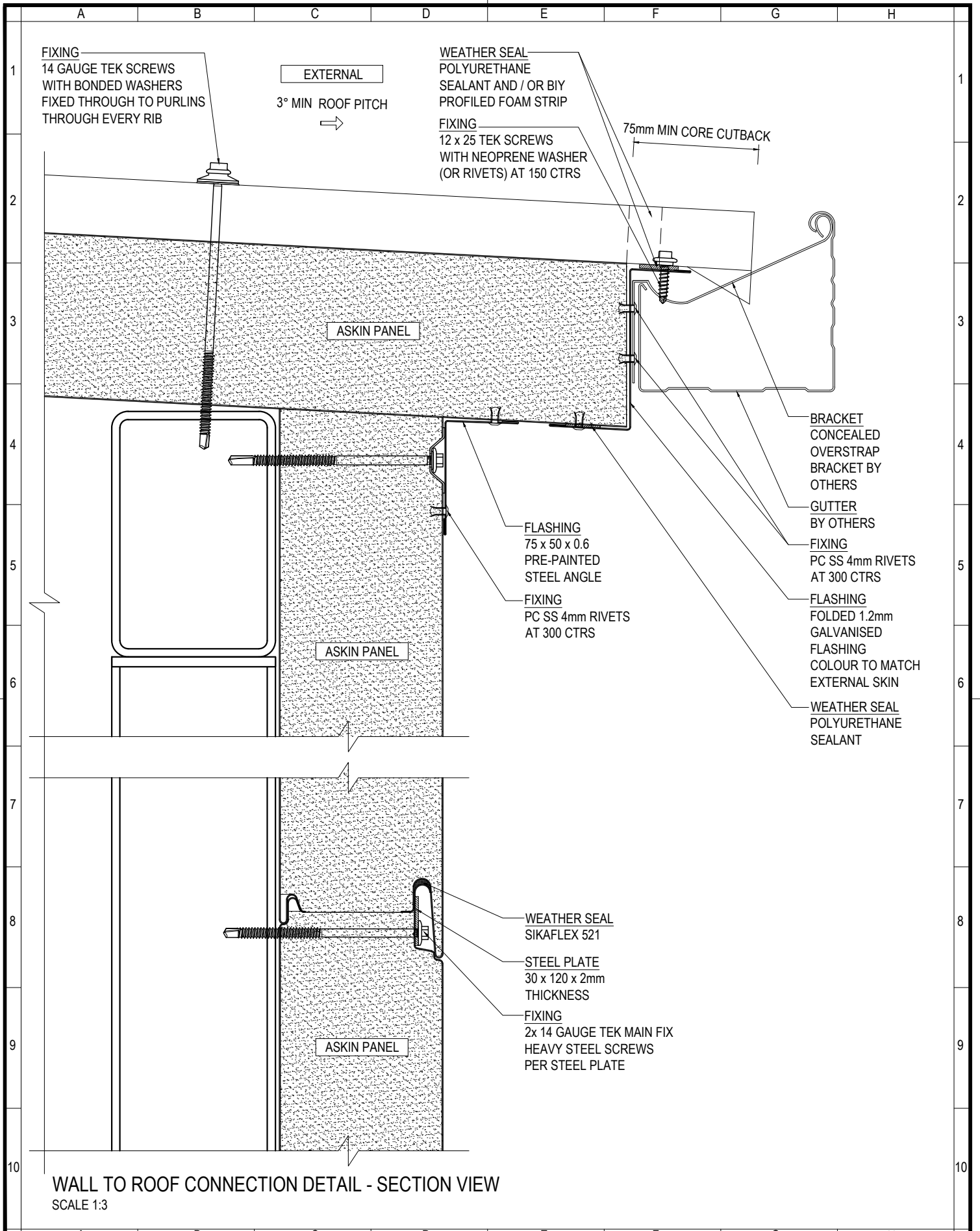
PROJECT:  
**VIVID SERIES**  
 STANDARD HORIZONTAL  
 ROOFING AND PARAPET  
 CONNECTION DETAILS

© ASKIN 2020

Revision		
-	-	-
-	-	-
-	-	-
-	-	-
-	-	-
-	-	-
-	-	-
-	-	-

Checked By A SHANNON	Scale 1:3
Drawn By R VORWERK	Sheet size A4
Issue date 13.02.2020	Revision -
Drawing No. <b>AVS - 220</b>	





WALL TO ROOF CONNECTION DETAIL - SECTION VIEW  
SCALE 1:3



www.askin.net.au  
 VIC P : 03 8769 4816 WA P : 08 9249 4022  
 SA P : 08 8252 7188 QLD P : 07 3718 9500  
 NSW P : 02 8825 2598 NT P : 08 8252 7188

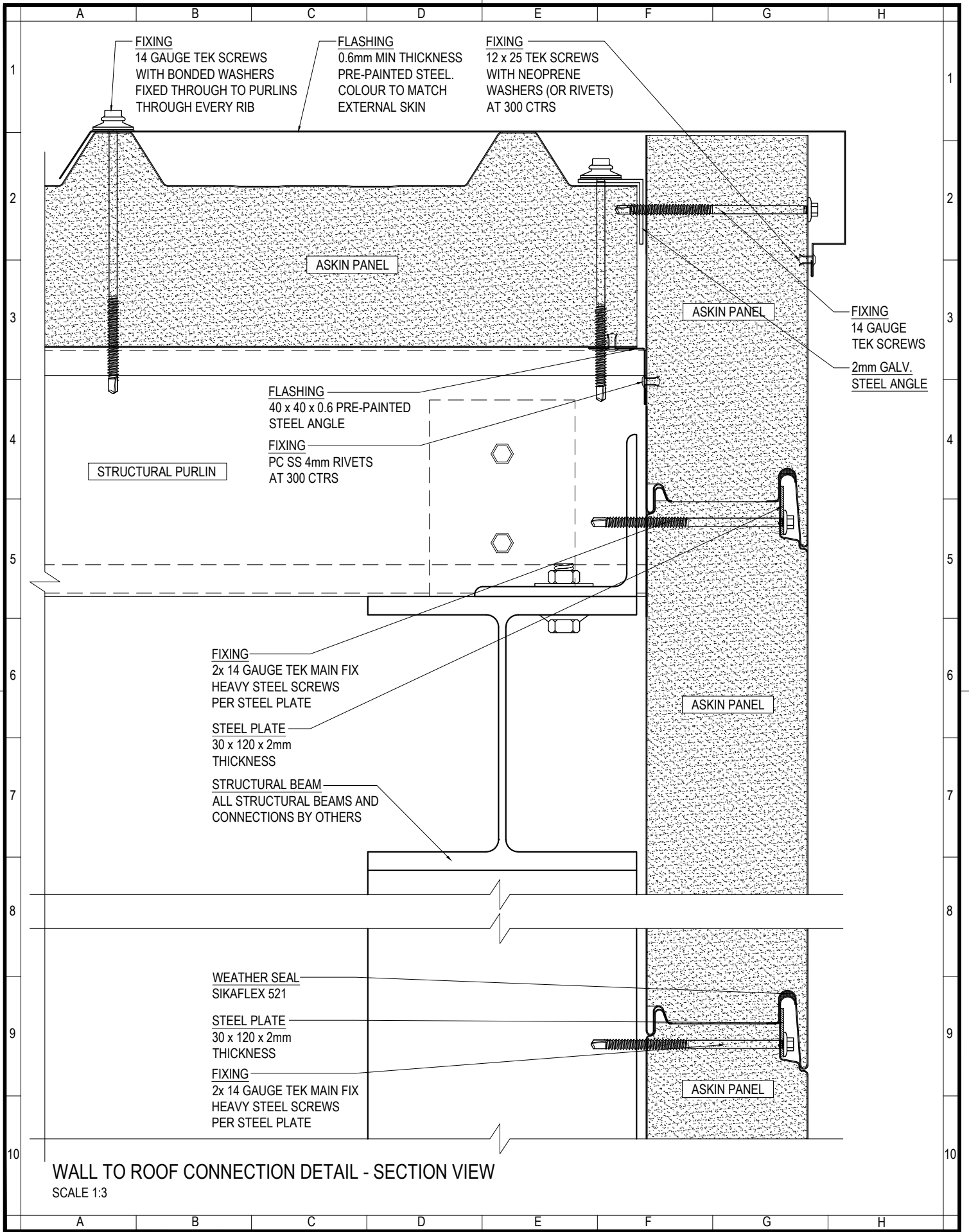
PROJECT:  
**VIVID SERIES**  
 STANDARD HORIZONTAL  
 ROOFING AND PARAPET  
 CONNECTION DETAILS

© ASKIN 2020

Revision		
-	-	-
-	-	-
-	-	-
-	-	-
-	-	-
-	-	-
-	-	-
-	-	-
-	-	-

Checked By <b>A SHANNON</b>	Scale 1:3
Drawn By <b>R VORWERK</b>	Sheet size A4
Issue date 13.02.2020	Revision -
Drawing No.	

AVS - 221



**WALL TO ROOF CONNECTION DETAIL - SECTION VIEW**  
SCALE 1:3

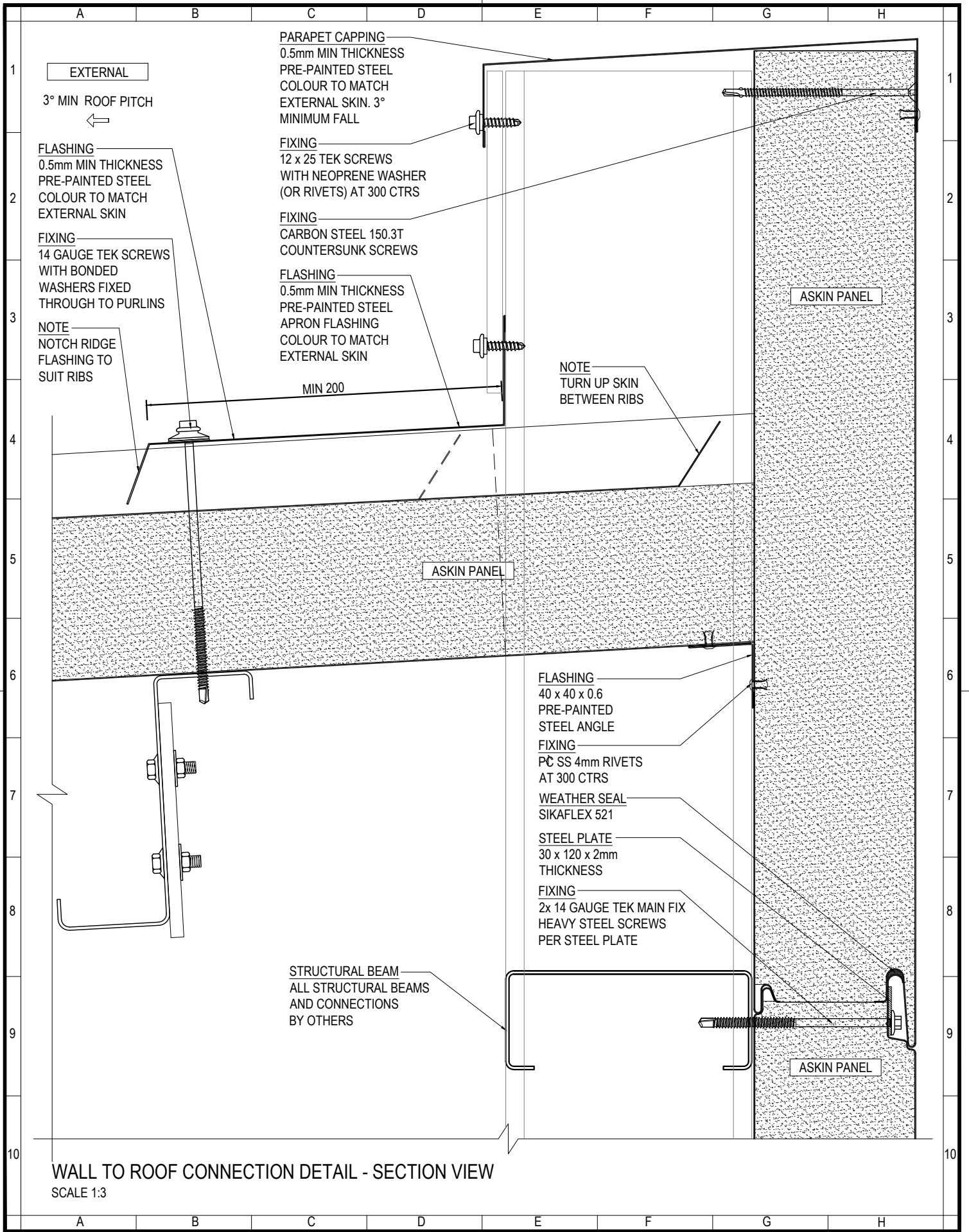


www.askin.net.au  
VIC P : 03 8769 4816 WA P : 08 9249 4022  
SA P : 08 8252 7188 QLD P : 07 3718 9500  
NSW P : 02 8825 2598 NT P : 08 8252 7188

PROJECT:  
**VIVID SERIES**  
STANDARD HORIZONTAL  
ROOFING AND PARAPET  
CONNECTION DETAILS  
©ASKIN 2020

Revision		
-	-	-
-	-	-
-	-	-
-	-	-
-	-	-
-	-	-
-	-	-
-	-	-
-	-	-

Checked By <b>A SHANNON</b>	Scale 1:3
Drawn By <b>R VORWERK</b>	Sheet size A4
Issue date 13.02.2020	Revision -
Drawing No. <b>AVS - 222</b>	



WALL TO ROOF CONNECTION DETAIL - SECTION VIEW  
SCALE 1:3



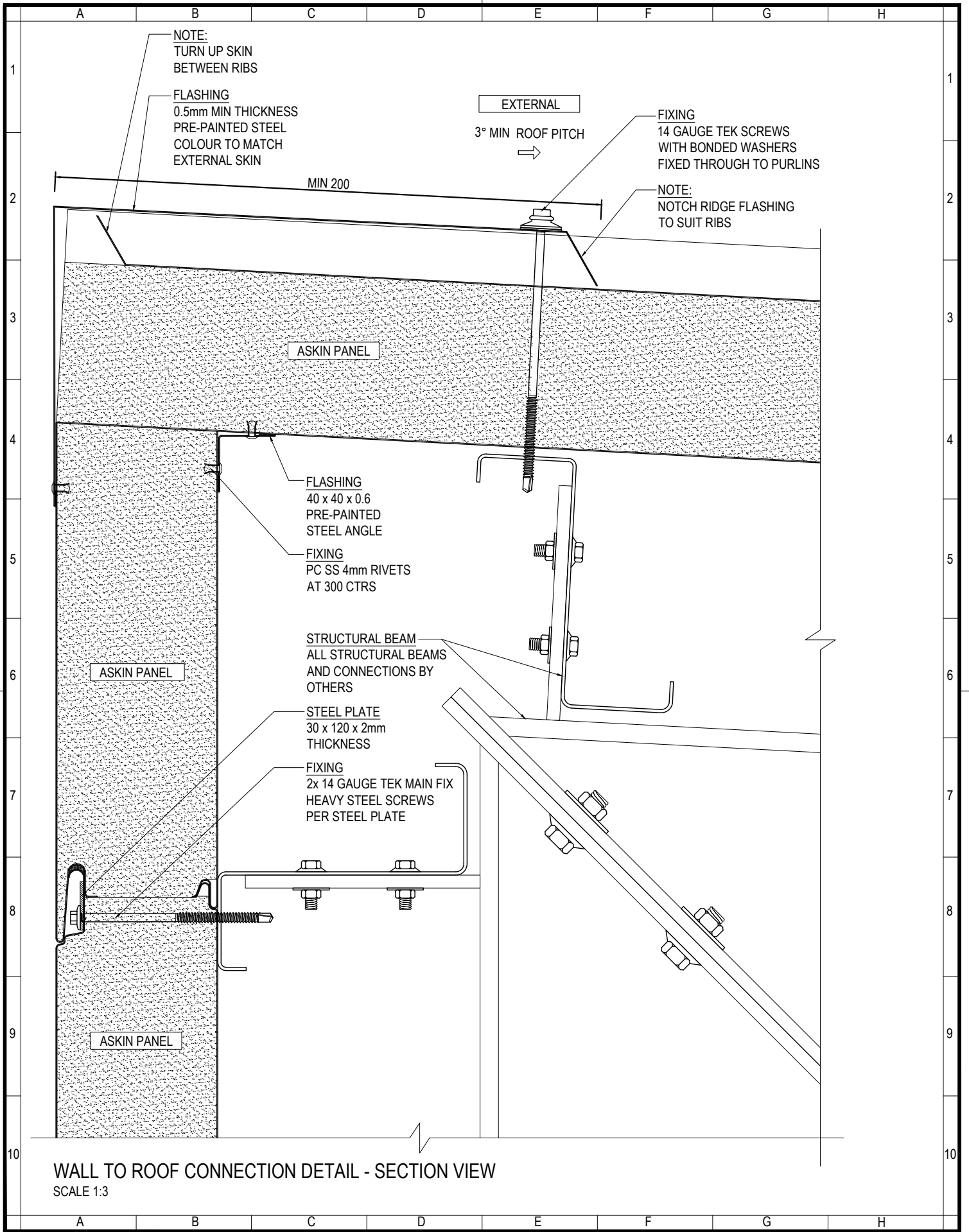
www.askin.net.au  
 VIC P: 03 8769 4816 WA P: 08 9249 4022  
 SA P: 08 8252 7188 QLD P: 07 3718 9500  
 NSW P: 02 8825 2598 NT P: 08 8252 7188

PROJECT:  
**VIVID SERIES**  
 STANDARD HORIZONTAL  
 ROOFING AND PARAPET  
 CONNECTION DETAILS  
 © ASKIN 2020

Revision		
-	-	-
-	-	-
-	-	-
-	-	-
-	-	-
-	-	-
-	-	-
-	-	-
-	-	-

Checked By <b>A SHANNON</b>	Scale 1:3
Drawn By <b>R VORWERK</b>	Sheet size A4
Issue date 13.02.2020	Revision -
Drawing No. <b>AVS - 223</b>	





WALL TO ROOF CONNECTION DETAIL - SECTION VIEW  
SCALE 1:3



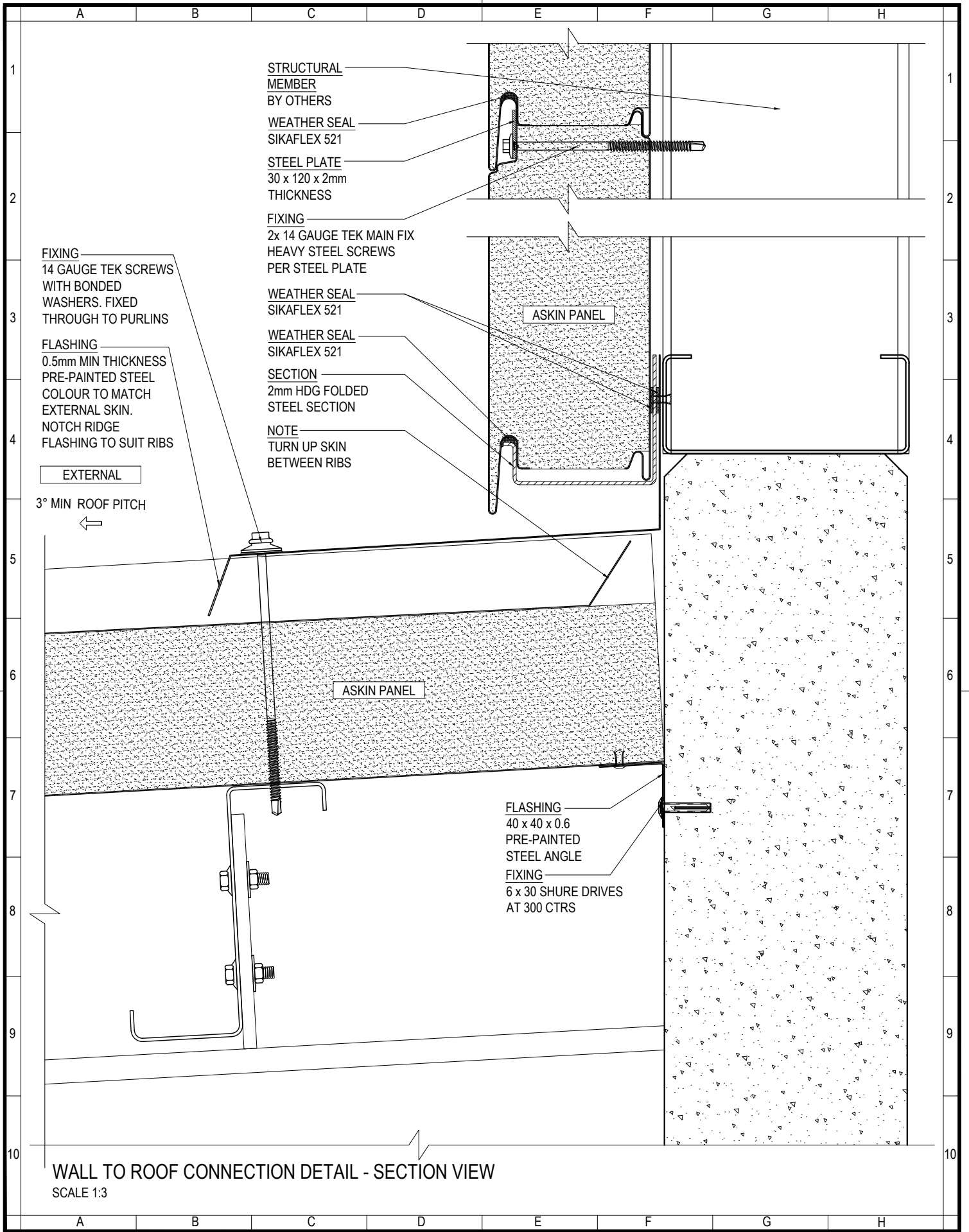
www.askin.net.au  
 VIC P: 03 8769 4816 WA P: 08 9249 4022  
 SA P: 08 8252 7188 QLD P: 07 3718 9500  
 NSW P: 02 8825 2598 NT P: 08 8252 7188

PROJECT:  
**VIVID SERIES**  
 STANDARD HORIZONTAL  
 ROOFING AND PARAPET  
 CONNECTION DETAILS  
 © ASKIN 2020

Revision		
-	-	-
-	-	-
-	-	-
-	-	-
-	-	-
-	-	-
-	-	-
-	-	-
-	-	-

Checked By <b>A SHANNON</b>	Scale 1:3
Drawn By <b>R VORWERK</b>	Sheet size A4
Issue date 13.02.2020	Revision -
Drawing No. <b>AVS - 224</b>	





**WALL TO ROOF CONNECTION DETAIL - SECTION VIEW**  
SCALE 1:3

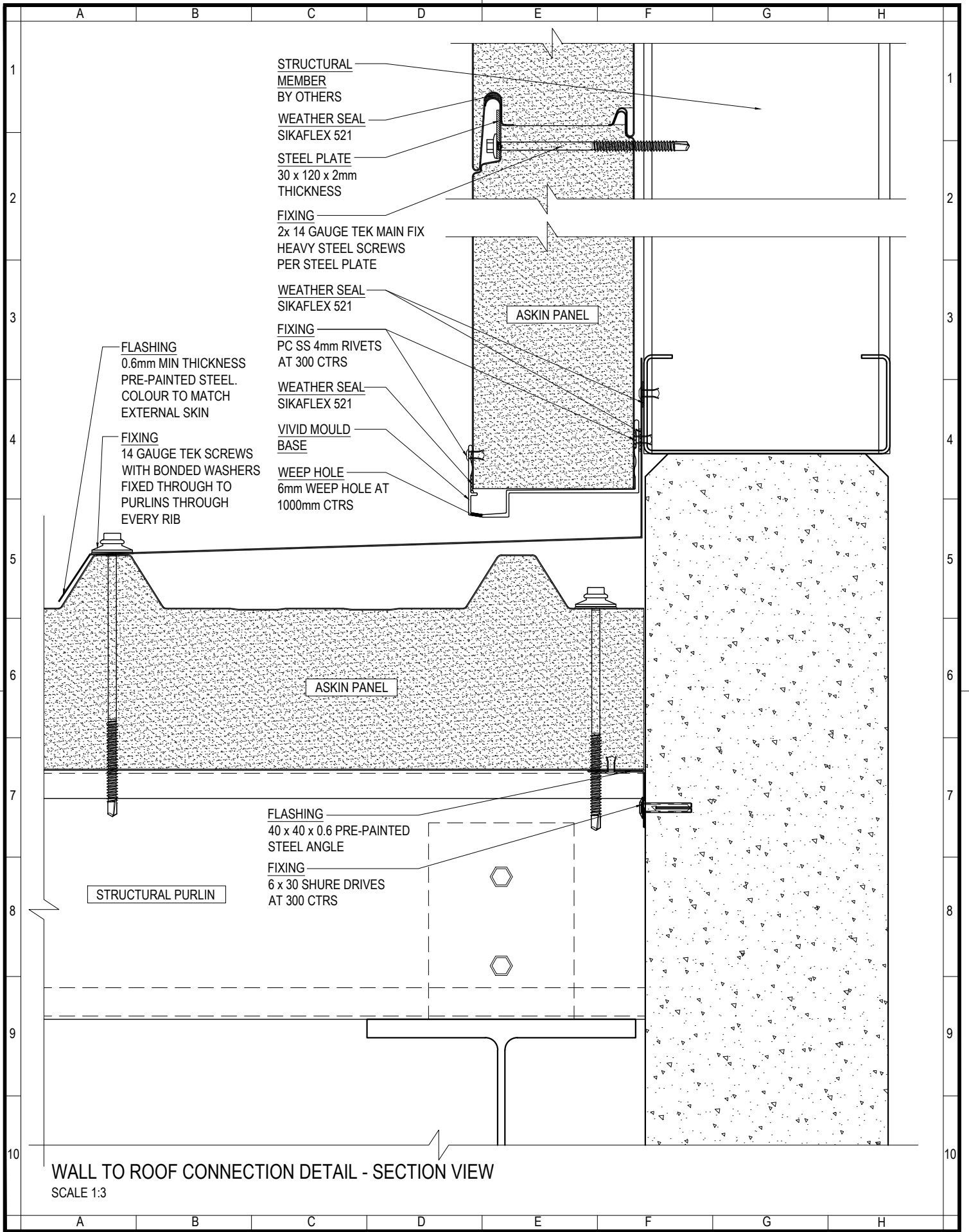


www.askin.net.au  
 VIC P : 03 8769 4816 WA P : 08 9249 4022  
 SA P : 08 8252 7188 QLD P : 07 3718 9500  
 NSW P : 02 8825 2598 NT P : 08 8252 7188

PROJECT:  
**VIVID SERIES**  
 STANDARD HORIZONTAL  
 ROOFING AND PARAPET  
 CONNECTION DETAILS  
 ©ASKIN 2020

Revision		
-	-	-
-	-	-
-	-	-
-	-	-
-	-	-
-	-	-
-	-	-
-	-	-
-	-	-

Checked By <b>A SHANNON</b>	Scale 1:3
Drawn By <b>R VORWERK</b>	Sheet size A4
Issue date 13.02.2020	Revision -
Drawing No. <b>AVS - 225</b>	



WALL TO ROOF CONNECTION DETAIL - SECTION VIEW  
SCALE 1:3

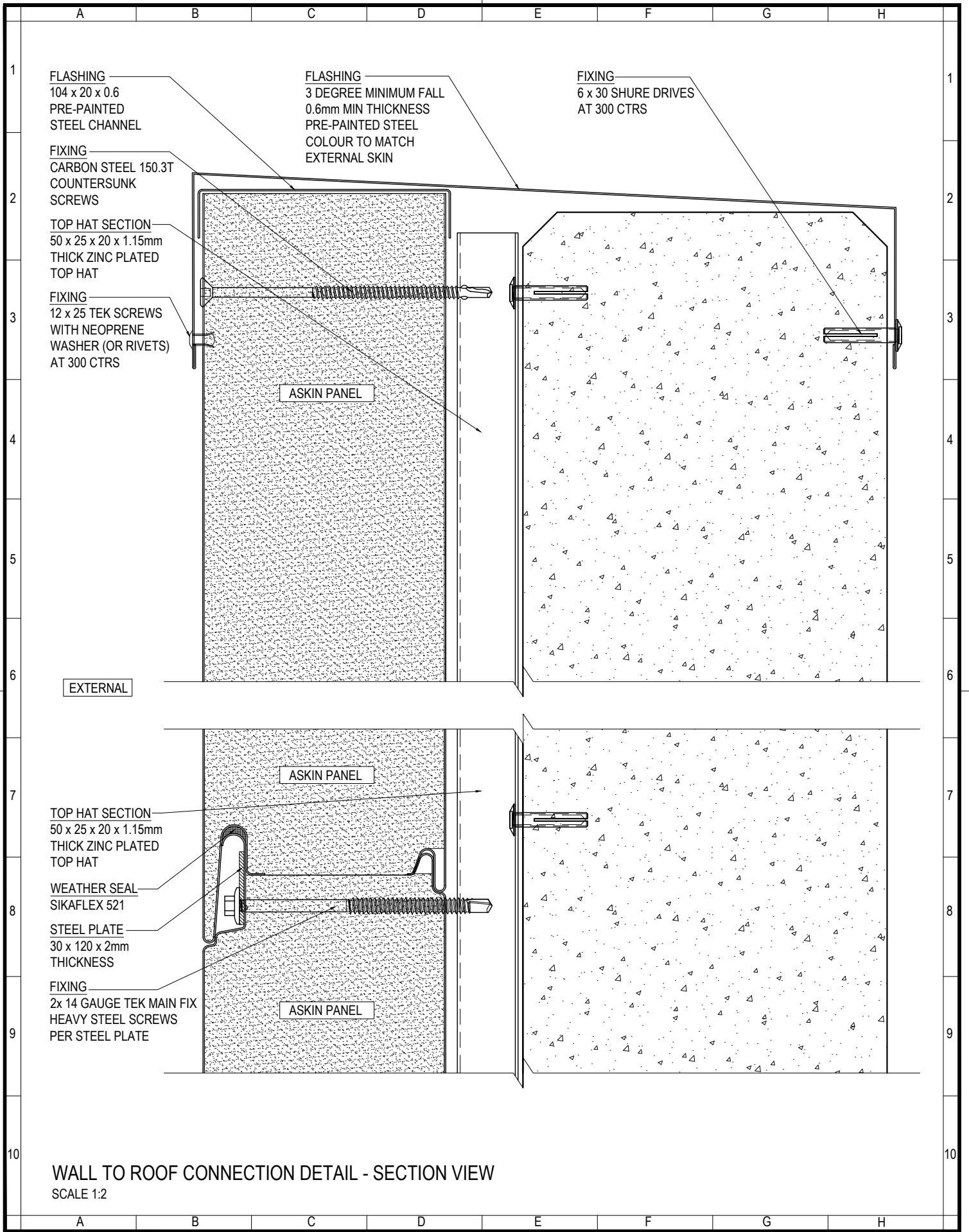


www.askin.net.au  
 VIC P: 03 8769 4816 WA P: 08 9249 4022  
 SA P: 08 8252 7188 QLD P: 07 3718 9500  
 NSW P: 02 8825 2598 NT P: 08 8252 7188

PROJECT:  
**VIVID SERIES**  
 STANDARD HORIZONTAL  
 ROOFING AND PARAPET  
 CONNECTION DETAILS  
 © ASKIN 2020

Revision		
-	-	-
-	-	-
-	-	-
-	-	-
-	-	-
-	-	-
-	-	-
-	-	-
-	-	-

Checked By <b>A SHANNON</b>	Scale 1:3
Drawn By <b>R VORWERK</b>	Sheet size A4
Issue date 13.02.2020	Revision -
Drawing No. <b>AVS - 226</b>	



WALL TO ROOF CONNECTION DETAIL - SECTION VIEW  
SCALE 1:2

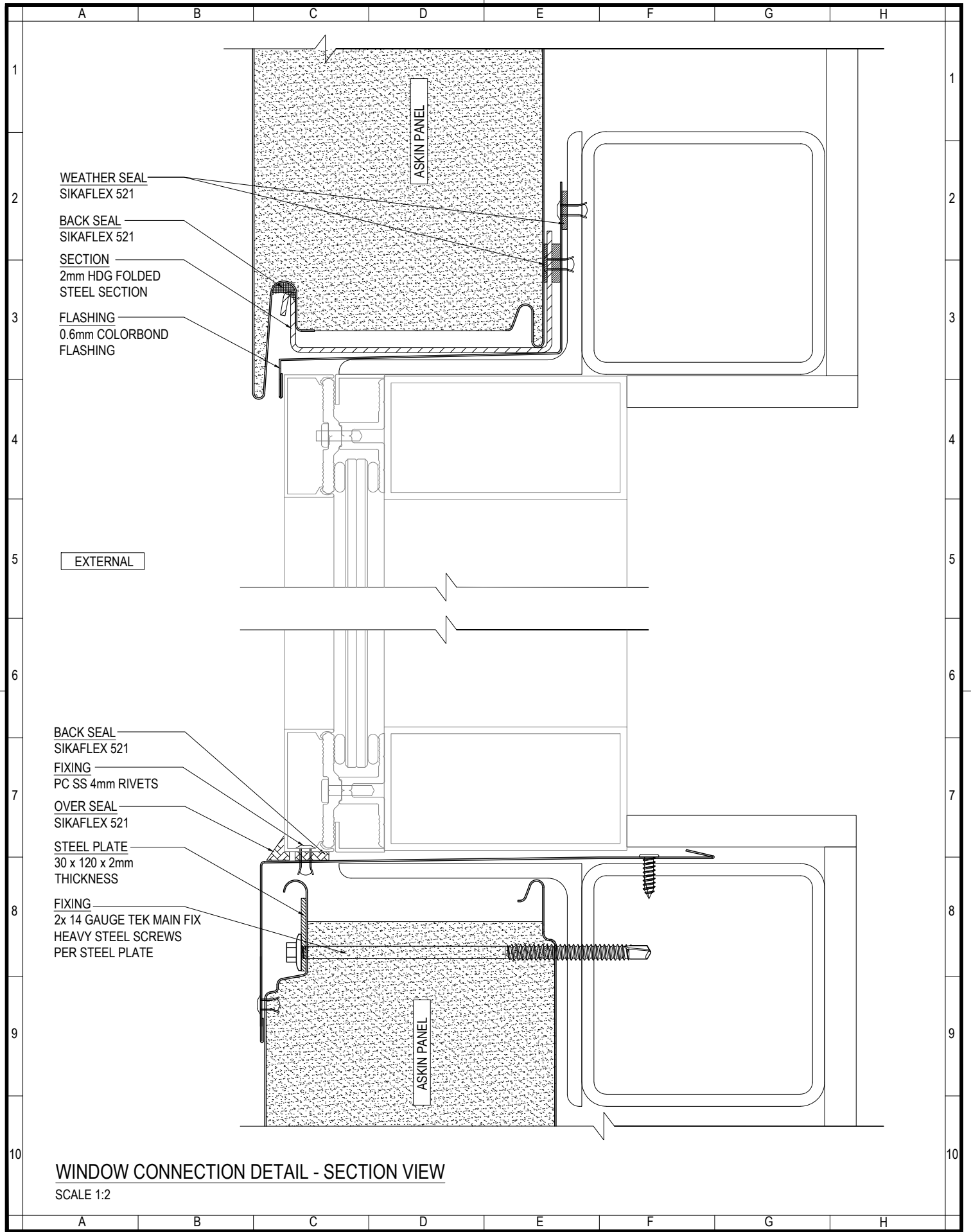


www.askin.net.au  
 VIC P : 03 8769 4816 WA P : 08 9249 4022  
 SA P : 08 8252 7188 QLD P : 07 3718 9500  
 NSW P : 02 8825 2598 NT P : 08 8252 7188

PROJECT:  
**VIVID SERIES**  
 STANDARD HORIZONTAL  
 ROOFING AND PARAPET  
 CONNECTION DETAILS  
 © ASKIN 2020

Revision		
-	-	-
-	-	-
-	-	-
-	-	-
-	-	-
-	-	-
-	-	-
-	-	-
-	-	-

Checked By <b>A SHANNON</b>	Scale 1:2
Drawn By <b>R VORWERK</b>	Sheet size A4
Issue date 13.02.2020	Revision -
Drawing No. <b>AVS - 227</b>	



**WINDOW CONNECTION DETAIL - SECTION VIEW**

SCALE 1:2



www.askin.net.au

VIC P : 03 8769 4816 WA P : 08 9249 4022  
SA P : 08 8252 7188 QLD P : 07 3718 9500  
NSW P : 02 8825 2598 NT P : 08 8252 7188

PROJECT:

**VIVID SERIES**  
STANDARD HORIZONTAL  
WINDOW CONNECTION  
DETAILS

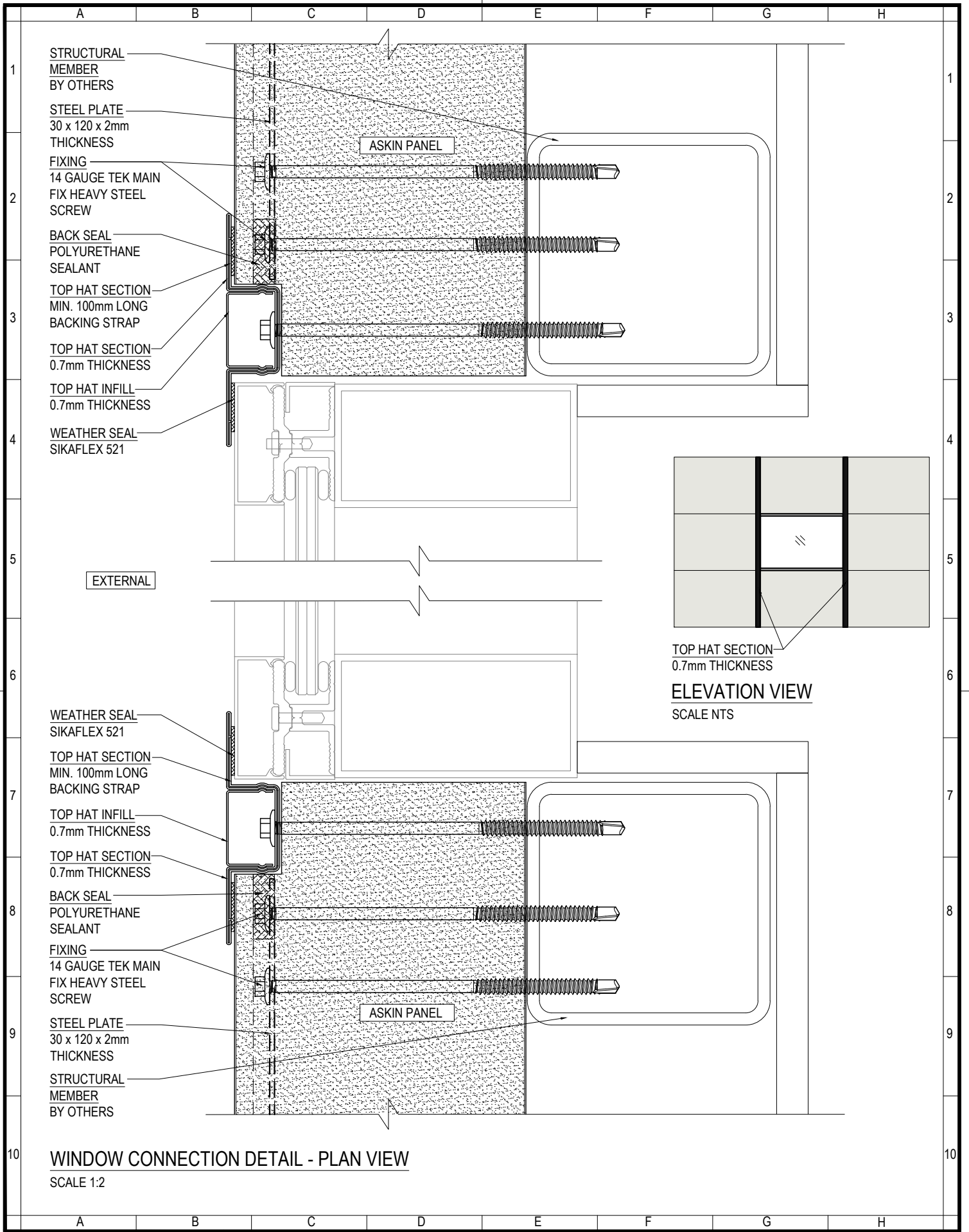
©ASKIN 2020

Revision

-	-	-
-	-	-
-	-	-
-	-	-
-	-	-
-	-	-
-	-	-
-	-	-

Checked By <b>A SHANNON</b>	Scale 1:2
Drawn By <b>R VORWERK</b>	Sheet size A4
Issue date 13.02.2020	Revision -
Drawing No. <b>AVS - 230</b>	





**WINDOW CONNECTION DETAIL - PLAN VIEW**  
SCALE 1:2



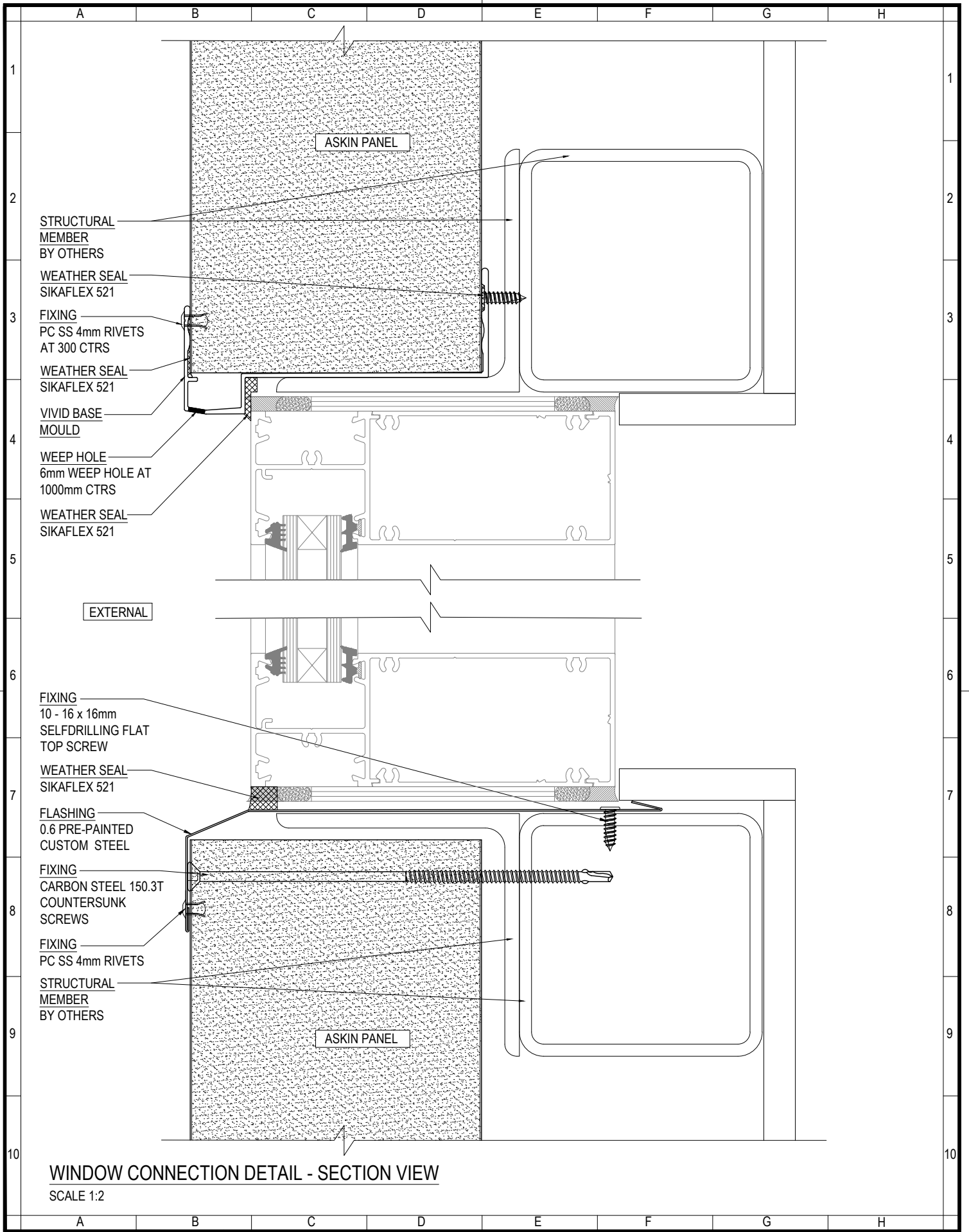
www.askin.net.au  
 VIC P : 03 8769 4816 WA P : 08 9249 4022  
 SA P : 08 8252 7188 QLD P : 07 3718 9500  
 NSW P : 02 8825 2598 NT P : 08 8252 7188

PROJECT:  
**VIVID SERIES**  
 STANDARD HORIZONTAL  
 WINDOW CONNECTION  
 DETAILS

©ASKIN 2020

Revision		
-	-	-
-	-	-
-	-	-
-	-	-
-	-	-
-	-	-
-	-	-
-	-	-
-	-	-

Checked By <b>A SHANNON</b>	Scale 1:2
Drawn By <b>R VORWERK</b>	Sheet size A4
Issue date 13.02.2020	Revision -
Drawing No. <b>AVS - 231</b>	



www.askin.net.au  
 VIC P: 03 8769 4816 WA P: 08 9249 4022  
 SA P: 08 8252 7188 QLD P: 07 3718 9500  
 NSW P: 02 8825 2598 NT P: 08 8252 7188

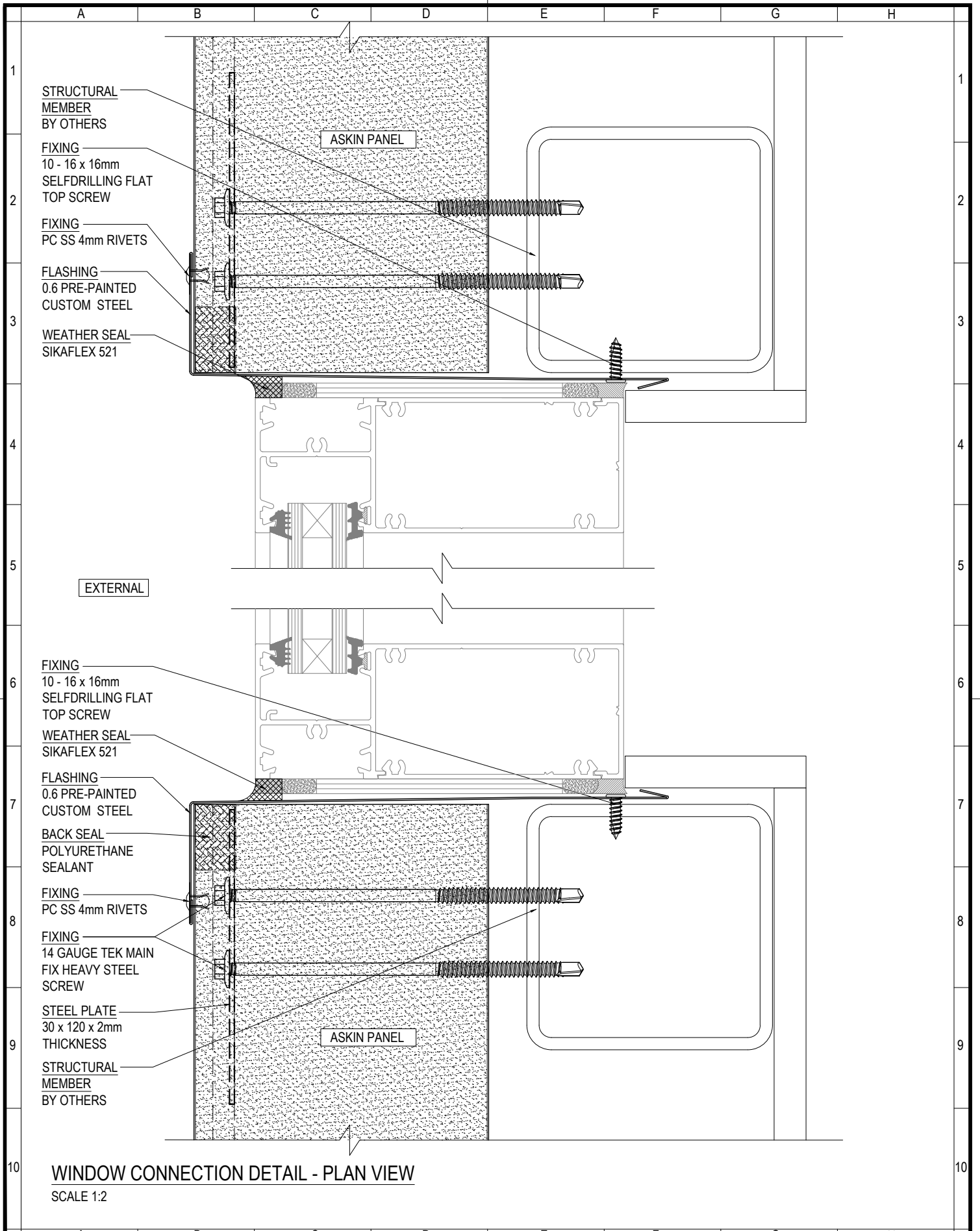
PROJECT:  
**VIVID SERIES**  
 STANDARD HORIZONTAL  
 WINDOW CONNECTION  
 DETAILS

©ASKIN 2020

Revision		
-	-	-
-	-	-
-	-	-
-	-	-
-	-	-
-	-	-
-	-	-
-	-	-
-	-	-

Checked By <b>A SHANNON</b>	Scale 1:2
Drawn By <b>R VORWERK</b>	Sheet size A4
Issue date 13.02.2020	Revision -
Drawing No.	

**AVS - 232**



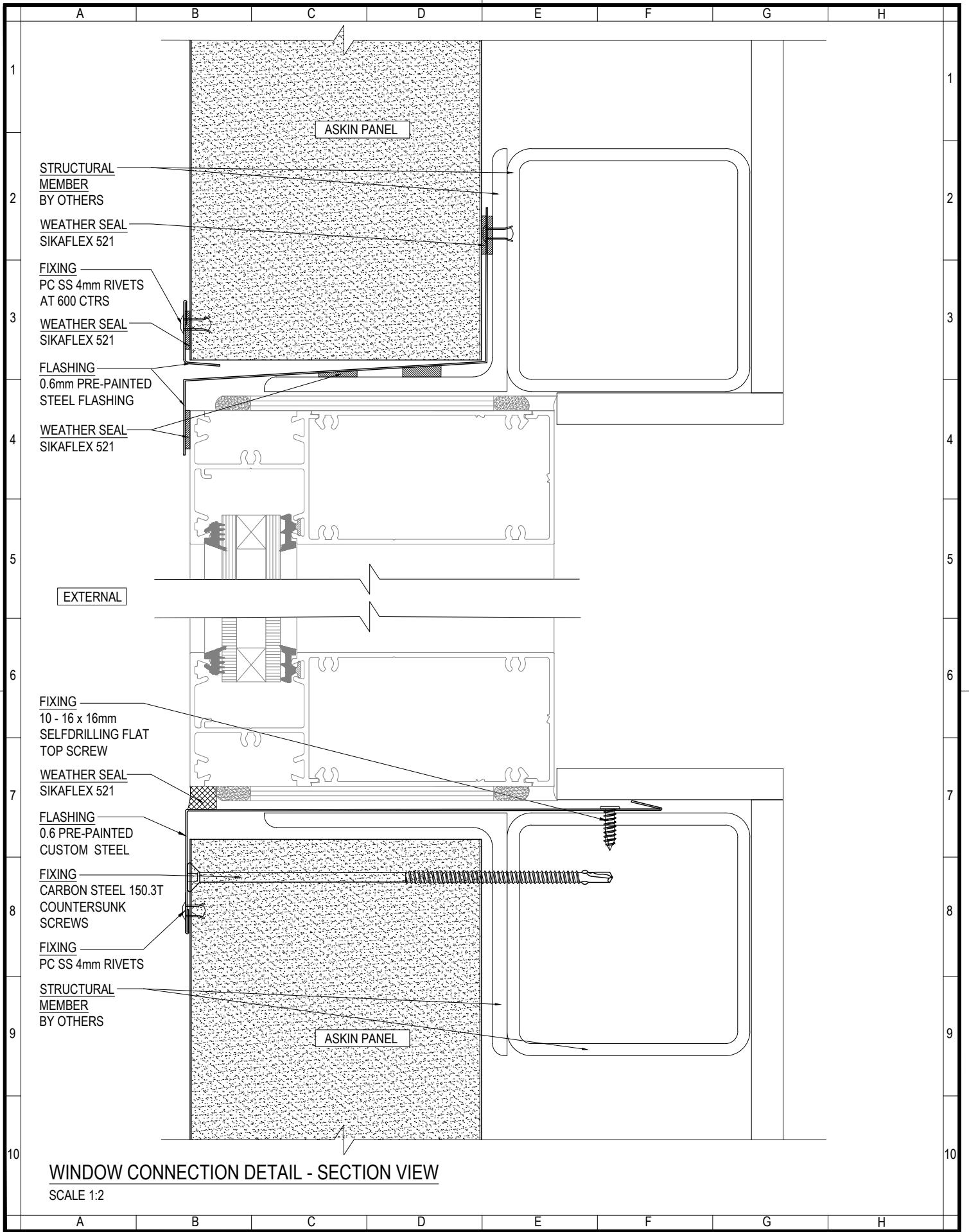
www.askin.net.au  
 VIC P: 03 8769 4816 WA P: 08 9249 4022  
 SA P: 08 8252 7188 QLD P: 07 3718 9500  
 NSW P: 02 8825 2598 NT P: 08 8252 7188

PROJECT:  
**VIVID SERIES**  
 STANDARD HORIZONTAL  
 WINDOW CONNECTION  
 DETAILS

©ASKIN 2020

Revision		
-	-	-
-	-	-
-	-	-
-	-	-
-	-	-
-	-	-
-	-	-
-	-	-
-	-	-

Checked By <b>A SHANNON</b>	Scale 1:2
Drawn By <b>R VORWERK</b>	Sheet size A4
Issue date 13.02.2020	Revision -
Drawing No. <b>AVS - 233</b>	



**WINDOW CONNECTION DETAIL - SECTION VIEW**  
SCALE 1:2



www.askin.net.au  
 VIC P: 03 8769 4816 WA P: 08 9249 4022  
 SA P: 08 8252 7188 QLD P: 07 3718 9500  
 NSW P: 02 8825 2598 NT P: 08 8252 7188

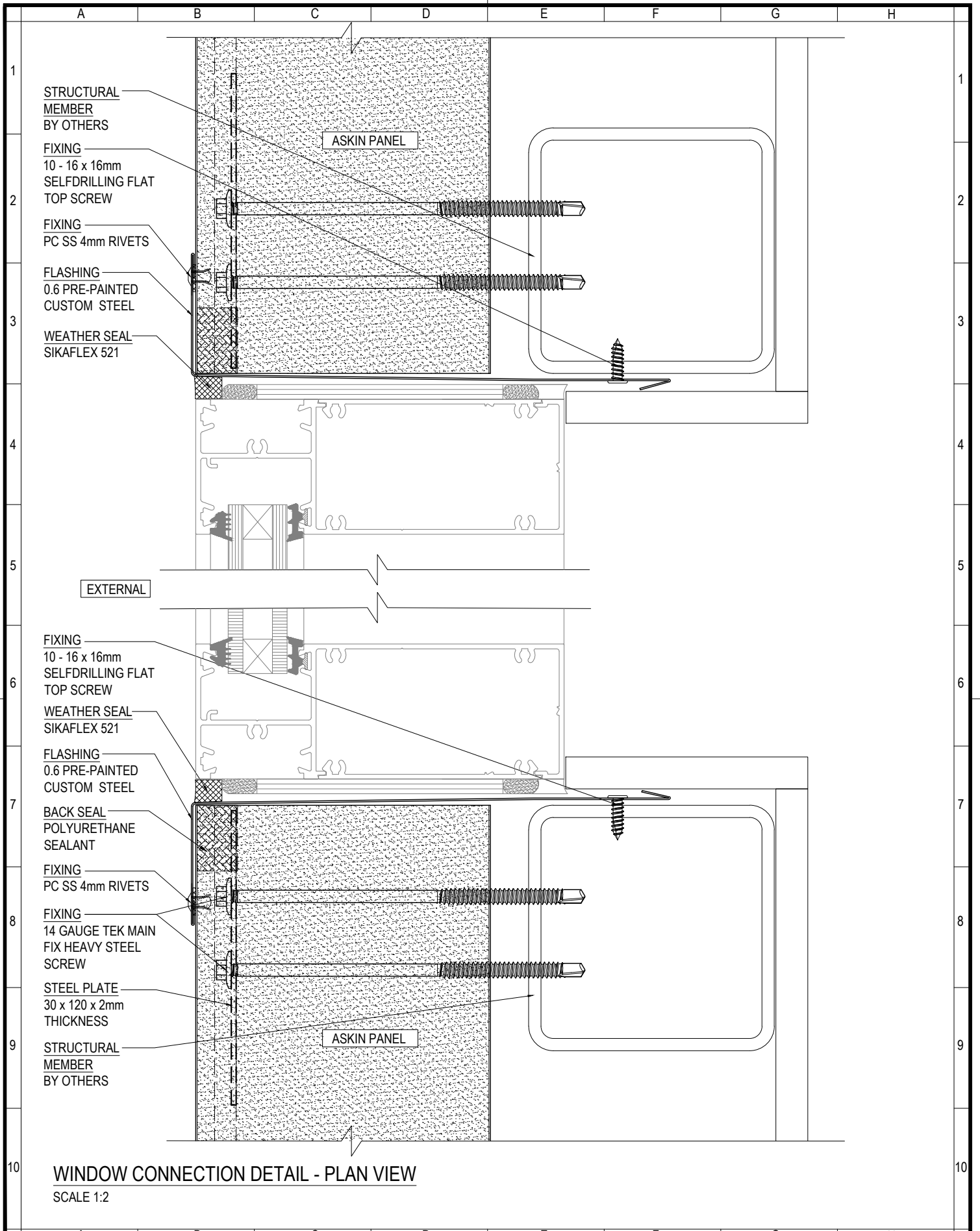
PROJECT:  
**VIVID SERIES**  
 STANDARD HORIZONTAL  
 WINDOW CONNECTION  
 DETAILS

©ASKIN 2020

Revision		
-	-	-
-	-	-
-	-	-
-	-	-
-	-	-
-	-	-
-	-	-
-	-	-
-	-	-

Checked By <b>A SHANNON</b>	Scale 1:2
Drawn By <b>R VORWERK</b>	Sheet size A4
Issue date 13.02.2020	Revision -
Drawing No. <b>AVS - 234</b>	





**WINDOW CONNECTION DETAIL - PLAN VIEW**  
SCALE 1:2



www.askin.net.au  
 VIC P : 03 8769 4816 WA P : 08 9249 4022  
 SA P : 08 8252 7188 QLD P : 07 3718 9500  
 NSW P : 02 8825 2598 NT P : 08 8252 7188

PROJECT:  
**VIVID SERIES**  
 STANDARD HORIZONTAL  
 WINDOW CONNECTION  
 DETAILS

©ASKIN 2020

Revision		
-	-	-
-	-	-
-	-	-
-	-	-
-	-	-
-	-	-
-	-	-
-	-	-

Checked By <b>A SHANNON</b>	Scale 1:2
Drawn By <b>R VORWERK</b>	Sheet size A4
Issue date 13.02.2020	Revision -
Drawing No.	

**AVS - 235**



# ASKIN™

FREE CALL 13000 ASKIN

Email: [contact@askin.net.au](mailto:contact@askin.net.au)

[www.askin.net.au](http://www.askin.net.au)

## ASKIN GROUP

150 Albert Road  
South Melbourne, VIC, 3205  
Phone: +61 3 8769 4816  
Email: [contact@askin.net.au](mailto:contact@askin.net.au)

## WESTERN AUSTRALIA

1 Denninup Way  
Malaga, WA, 6090  
Phone: +61 8 9249 4022  
Email: [wa@askin.net.au](mailto:wa@askin.net.au)

## QUEENSLAND

129 Cobalt Street  
Carole Park, QLD 4300  
Phone: +61 7 3718 9500  
Email: [qld@askin.net.au](mailto:qld@askin.net.au)

## VICTORIA & TASMANIA

270 - 280 Hammond Road  
Dandenong South, VIC, 3175  
Phone: +61 3 8769 4888  
Email: [vic@askin.net.au](mailto:vic@askin.net.au)

## SA & NT

162a Philip Hwy  
Elizabeth South, SA, 5112  
Phone: +61 8 8252 7188  
Email: [sa@askin.net.au](mailto:sa@askin.net.au)

## NSW & ACT

100 Peter Brock Drive  
Eastern Creek, NSW, 2766  
Phone: +61 2 8825 2598  
Email: [nsw@askin.net.au](mailto:nsw@askin.net.au)